

NOTES:

1.0 ELECTRICAL SPECIFICATIONS:

1.1 FREQUENCY RANGE: DC TO 26.5 GHz

1.2 MAXIMUM INPUT POWER:

2 WATTS AT +25°C

1 WATT AT +125°C

1.3 MAXIMUM VSWR:

DC to 4 GHz: 1.05:1

4 to 12 GHz: 1.10:1

12 to 18 GHz: 1.14:1

18 to 26.5 GHz: 1.30:1

1.4 IMPEDANCE: 50 OHMS

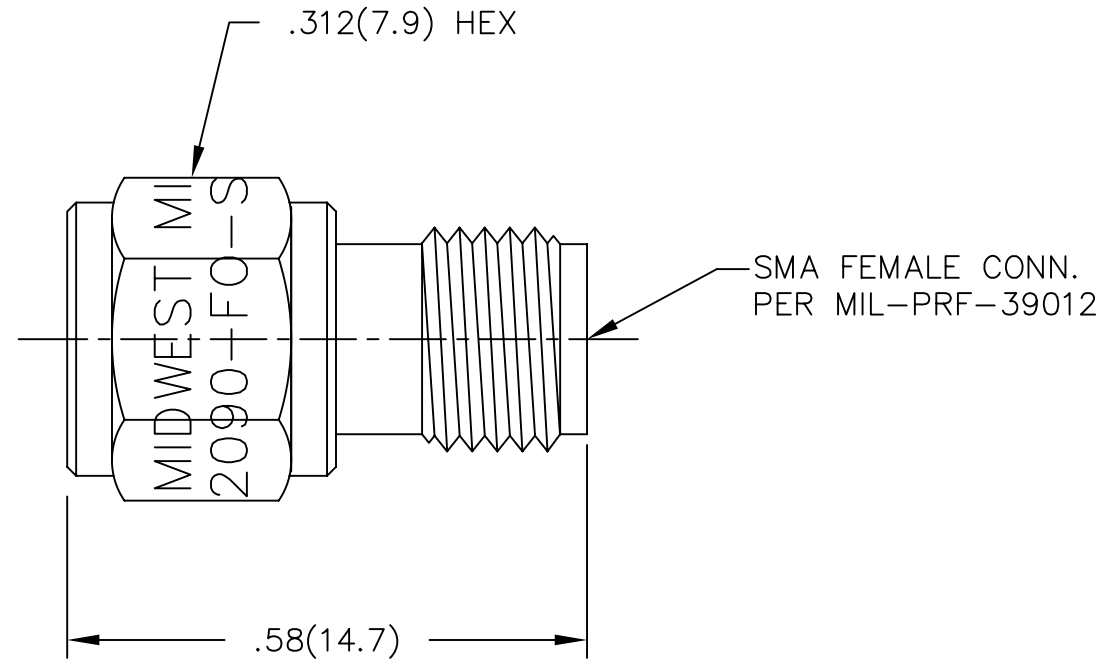
1.5 TEMPERATURE RANGE: -65°C to +125°C

2.0 MARKING:

2.1 MARK UNIT AS SHOWN:

REF.: INK-02639-27-71

3.0 DIMENSIONS IN PARENTHESIS ARE MILLIMETERS.



DWG. NO. WAS: 02360-01-00

REV.	DESCRIPTION	DATE
-	RELEASED	2/11/97
-1	ADDED TITLEBLOCK	10/28/05

UNLESS OTHERWISE NOTED DIMENSIONS ARE IN INCHES AND TOLERANCES ARE:  3 PLACE DECIMALS ±.005 2 PLACE DECIMALS ±.02 FRACTIONS ±1/64 PARALLELITY: T.I.R. _____ FLATNESS: T.I.R. _____ CONCENTRICITY: T.I.R. _____ ANGLES AND PERPENDICULARITY: ±1°	FSCM NO. <b>34078</b>	<b>MIDWEST MICROWAVE</b>		
	NOTICE: The information contained in this drawing is proprietary and must not be used without the permission of Midwest Microwave		TITLE 2 WATT TERMINATION	
	DRAWN/DATE J.VERNON 12/20/89	ENG./DATE G.KOZAK 2/11/97	DRAWING NUMBER TRM-2089-FO-SMA-02	
	CHECKED/DATE	APPROVED/DATE	SCALE: 5=1	SHEET 1 of 1