

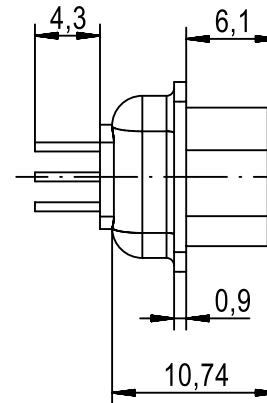
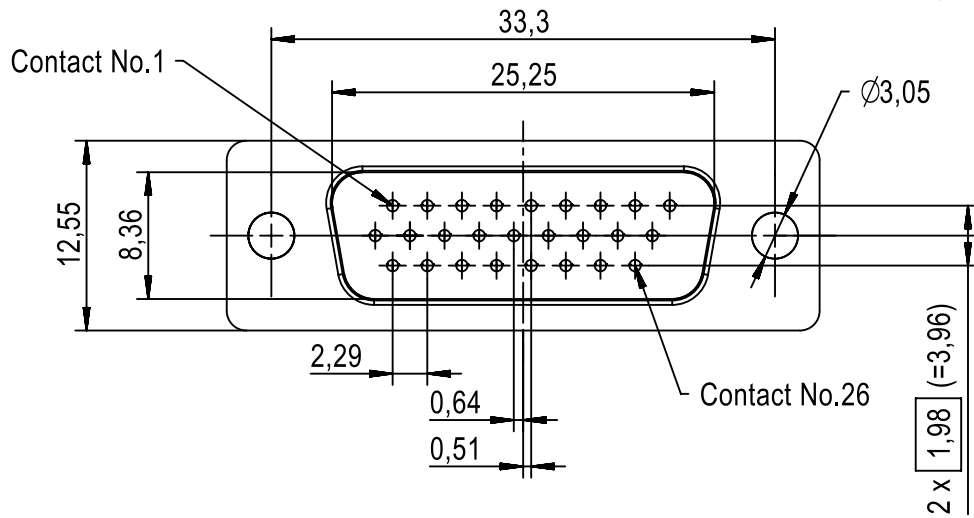
1 2 3 4 5 6

A

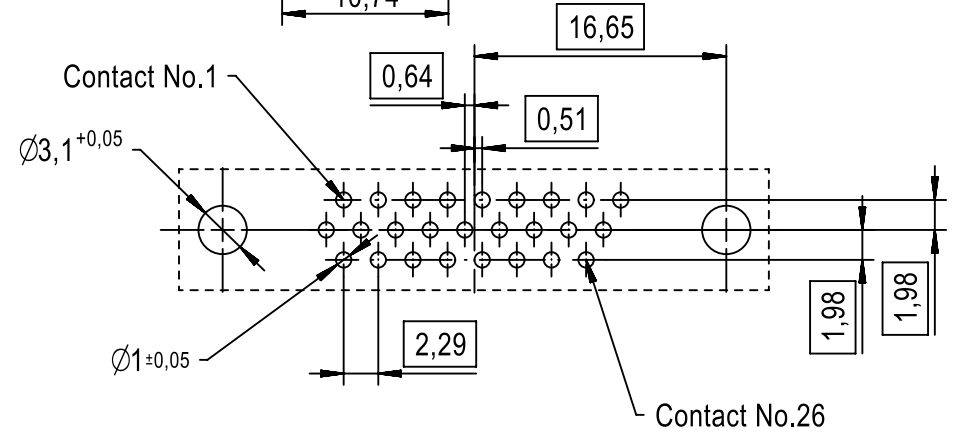
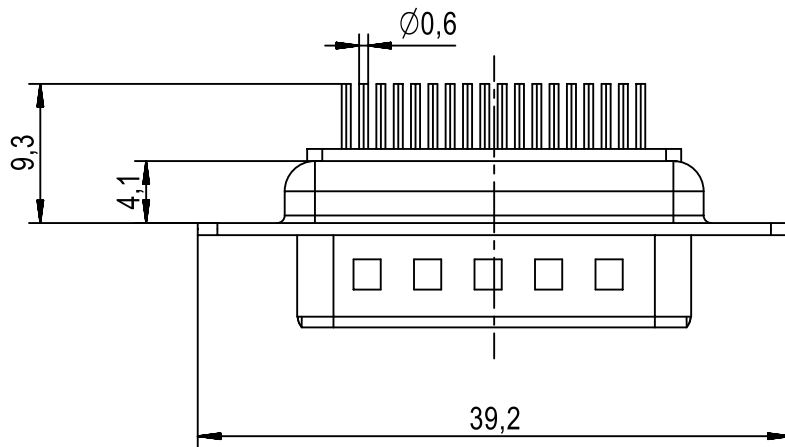
B

C

D



PC-Board layout
view component side
thickness 1,6 mm



09562615700	S4
09562617700	3
Part number	Performance level

	All rights reserved Department EC PD - FR	All Dimensions in mm Original Size DIN A4			Scale 2:1	Free size tol.	Ref.	
		HARTING Electronics GmbH D-32339 Espelkamp	Created by DOUGE	Inspected by BAGDIKIAN	Standardisation HOFFMANN	Date 2013-10-25	State Final Release	Sub.
Title D-Sub HD 26P male straight solder pins							Doc-Key / ECM-Nr. 100513335/UGD/001/B 500000065862	
Type TB					Number 0956261X700		Rev. B	Page 1/1