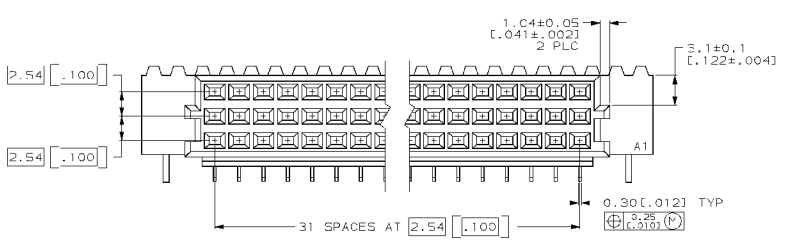
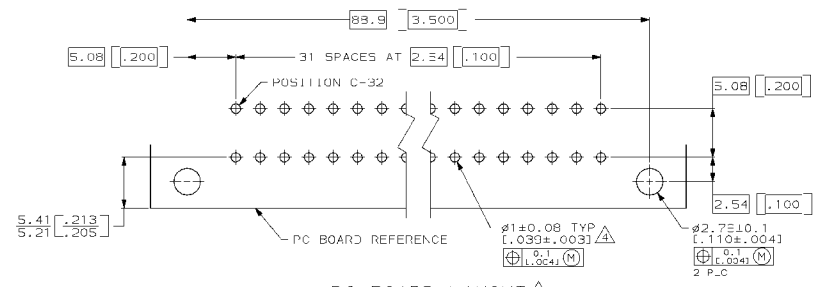
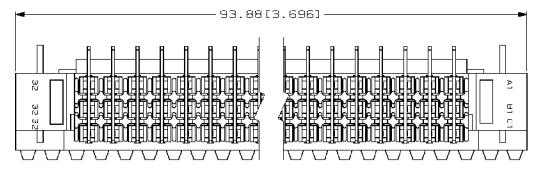
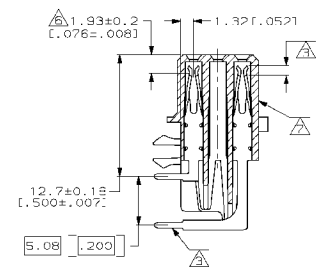
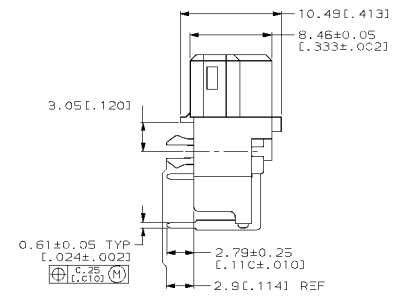
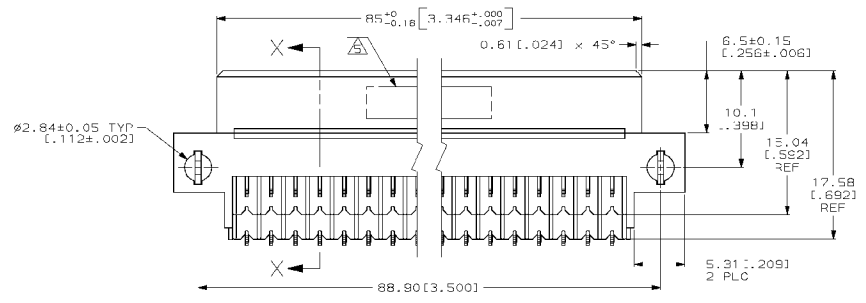


REV. NO.		REVISIONS			
REV. NO.	DATE	DESCRIPTION	BY	CHKD	APP'D
0		DRAWN: WAS 95-6226-100-1			
A	EC 0504-0055-S6			16/25/96L	SB CR



- ⚠ HOUSING MATERIAL: GLASS-FILLED POLYESTER. COLOR: GRAY.
- ⚠ CONTACT MATERIAL: PHOSPHOR BRONZE.
- ⚠ CONTACT FINISH: 0.00076 [0.00030] GOLD IN CONTACT AREA. 0.00127 [0.00050] NICKEL UNDERPLATE ALL OVER. TIN-LEAD ON POSTS.
- ⚠ RECOMMENDED HOLE SIZE FOR MANUAL APPLICATION OF CONNECTOR ONTO PC BOARD.
- ⚠ PART NUMBER, DATE CODE IDENTIFICATION, CSA LOGO HOT-STAMPED THIS APPROXIMATE AREA.
- ⚠ CONTACT POINT.
- ⚠ HOT-STAMPS ON THIS SIDE.
- ⚠ RECOMMENDED PRINTED CIRCUIT BOARD THICKNESS IS 1.57 [0.062]



PC BOARD LAYOUT

1-32	X - X	64	148168-4
POSITIONS LOADED	C B A	NO. OF LOADED POSITIONS	PART NUMBER

<small>THE INFORMATION CONTAINED HEREON IS UNCLASSIFIED UNLESS INDICATED OTHERWISE DATE 02/06/2017 BY 60343/MS/STP ALL RIGHTS RESERVED</small>		DATE: 6/13/95 DRAWN BY: L. MILLNER CHECKED BY: P. PATTERSON APPROVED BY: P. PATTERSON PROJECT: 9507	DATE: 6/13/95 DRAWN BY: P. PATTERSON CHECKED BY: P. PATTERSON APPROVED BY: P. PATTERSON PROJECT: 9507	AMP Incorporated Harrisburg, PA 17105-3608
DIMENSIONS: 0 P.L.E. -- 1 P.L.E. -- 2 P.L.E. -- 3 P.L.E. -- 4 P.L.E. -- 5 P.L.E. -- 6 P.L.E. -- 7 P.L.E. -- 8 P.L.E. -- 9 P.L.E. -- 10 P.L.E. -- 11 P.L.E. -- 12 P.L.E. -- 13 P.L.E. -- 14 P.L.E. -- 15 P.L.E. -- 16 P.L.E. -- 17 P.L.E. -- 18 P.L.E. -- 19 P.L.E. -- 20 P.L.E. -- 21 P.L.E. -- 22 P.L.E. -- 23 P.L.E. -- 24 P.L.E. -- 25 P.L.E. -- 26 P.L.E. -- 27 P.L.E. -- 28 P.L.E. -- 29 P.L.E. -- 30 P.L.E. -- 31 P.L.E. -- 32 P.L.E. --	DIMENSIONS: 0 P.L.E. -- 1 P.L.E. -- 2 P.L.E. -- 3 P.L.E. -- 4 P.L.E. -- 5 P.L.E. -- 6 P.L.E. -- 7 P.L.E. -- 8 P.L.E. -- 9 P.L.E. -- 10 P.L.E. -- 11 P.L.E. -- 12 P.L.E. -- 13 P.L.E. -- 14 P.L.E. -- 15 P.L.E. -- 16 P.L.E. -- 17 P.L.E. -- 18 P.L.E. -- 19 P.L.E. -- 20 P.L.E. -- 21 P.L.E. -- 22 P.L.E. -- 23 P.L.E. -- 24 P.L.E. -- 25 P.L.E. -- 26 P.L.E. -- 27 P.L.E. -- 28 P.L.E. -- 29 P.L.E. -- 30 P.L.E. -- 31 P.L.E. -- 32 P.L.E. --	RECEP™ ACLE ASSEMBLY, EUROCARD, TYPE R WITH BOARD-LOCKS DATE: 6/13/95 DRAWING NO: 148168 SCALE: 4:1 SHEET: 1 OF 1 REV: A	CUSTOMER DRAWING	