

This document is the property of and embodies CONFIDENTIAL and PROPRIETARY information of FCI. It is to be used only as disclosed to others without the written consent of FCI. Copyright FCI.



PLATING ACTIVE ZONE			CHARACTERISTICS					
500 mating/unmating Ni: 2 μm ₀ ^{+2 μm} Au: 1.27 μm min	500 mating/unmating Cu : flash Ni P : 2 μm ₀ ^{+2 μm} Au: 0.2 μm min (equivalent 0.8 μm Au)	200 mating/unmating Cu : flash Ni P : 2 μm ₀ ^{+2 μm} Au: 0.15 μm min (equivalent 0.4 μm Au)	CURRENT max A	AWG WIRE	mm ² AREA	∅A ^{+0.1} ₀	∅B±0.1	Clip colour
8638PSS4007LF	8638PSS4006LF	-----	40	8	8.35	4.40	5.50	BLUE
8638PSS2007LF	8638PSS2006LF	-----	20	12	3.31	2.80	3.65	RED
8638PSS1507LF	8638PSS1506LF	8638PSS1505LF	15	14	2.08	2.10	3.00	WHITE
8638PSS1007LF	8638PSS1006LF	-----	10	16	1.31	1.70	2.60	BLACK

NOTE: RoHS INFORMATIONS

- The "LF" products meet European union Directives and regulations as described in GS-22-008
- Termination plating spec: Sn pure matte
- Packaging spec: see GS-14-920

Materials and finish

Active zone: CuZn40 Pb3. Plating: See table
 Termination zone (soldering sleeve): CuZn40Pb3
 Plating 2 μm₀^{+2 μm} Cu 3 μm₀^{+3 μm} Tin pure matte
 Clip : Thermoset plastic

Technical characteristics

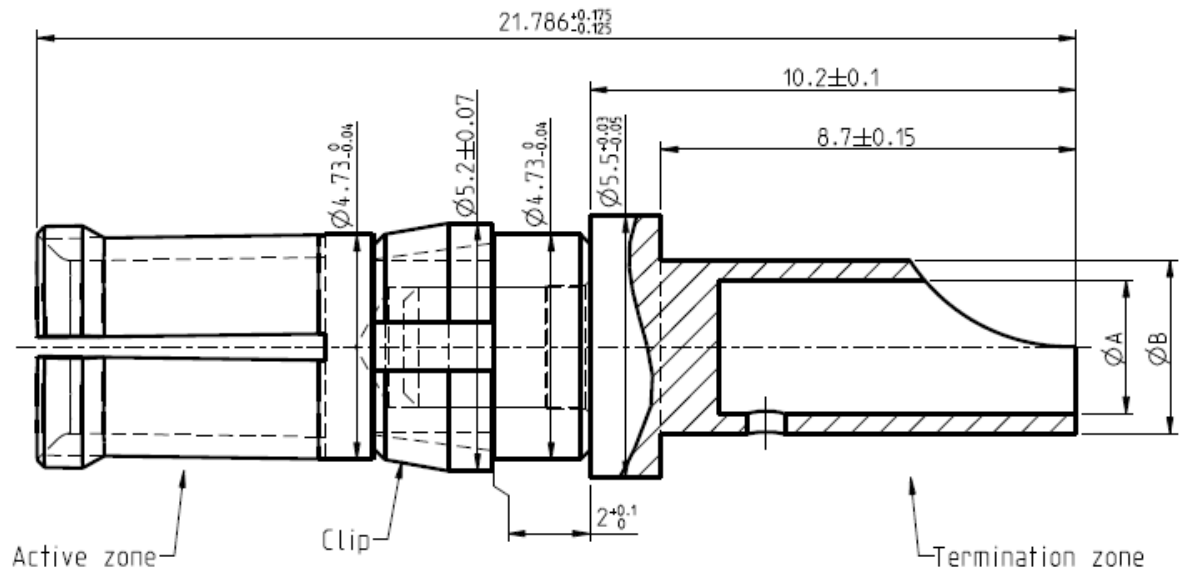
Peak voltage: 750 Veff.
 Operating voltage: 500 Veff.
 Temperature range -55 °C +125 °C
 Packaged per 100
 Current capability : see table

Mechanical characteristics :

Mechanical endurance: 200 or 500 matings/unmatings (see table).
 Contact insertion force in insulator:
 60N maxi in a hole of 4.80 mm

Examination of product:

Remove all burrs and sharp edges 0.08 maxi
 No scratch allowed



Mark with		Material SEE NOTES		Spec ref	
		Mat code -		surface - tolerance	
		Heatreat -		ISO 1302 ISO 405 ISO 1101	
		Plating/Finish SEE TABLE + NOTES		projection	
		Dr JARRY 1994/12/13		size A3	
		Eng JARRY 1994/12/13		Scale 10:1	
		Chr LEGARE 1994/12/13		Model Name 8638PSS200XLF	
		Appr LEGARE 1994/12/13		Model Revision 1	
				ECN F10-0031	
				REL Level	
		FCI		FEMALE POWER CONTACT	
		FOR SOLDERED CONNECTION		DWG no C01-8638-0348	
		Rev/E file catalog no		Customer	
				sheet 1 of 1	

rev	ecn no	dr	date
D	---	JAR	2002/02/28
C	LS05-006	MPE	2005/04/14
D	LS06-0097	LGD	2006/07/27
E	LS08-0029	MPE	2008/01/28
F	F10-0031	GPE	2010/04/12
G	F12-0834	GPE	2012/11/12