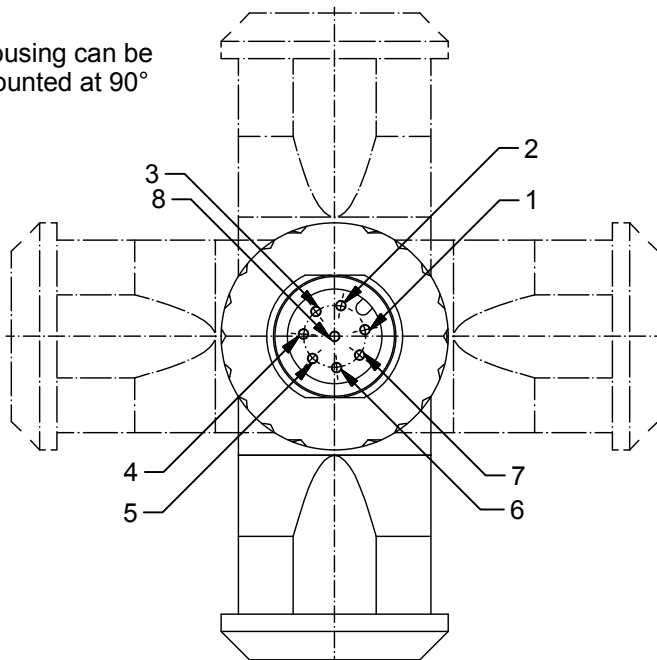


Housing can be mounted at 90°



Technical specification:

| | |
|---|---|
| Rated voltage: IEC 61076-2-101 | 30 V |
| Current rating: IEC 61076-2-101 | 2 A at 40°C, with 0,5mm ² |
| Insulation resistance: IEC 60512 | >=100 M |
| Pollution degree: IEC 60664-1 | 3/2 |
| Degree of protection: IEC 60529 | IP 67, in mated condition |
| Temperature range: EN 60512-11-10 EN 60512-11-4 | -30°C ... +85°C -40°C ... +85°C |
| Mating cycles: IEC 60512-9a | >=100 |
| Wire cross section: | max. AWG20 (0,50 mm ²) (incl. wire end ferrule) |

Materials:

| | |
|------------------|--------------------------|
| Contact: | CuZn, Ni b / Au 0,2 gal. |
| Contact carrier: | PA6, UL 94 V-0 |
| Cable seal: | Elastomere |
| O-Ring: | FPM / NBR |
| Coupling nut: | GD-Zn, Ni |
| Housing: | PA6 GF, UL 94 HB |

Installation specification:

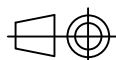
| | |
|-----------------------------|---|
| Recommended torque: | Contact: 0,3 Nm Coupling nut: 0,6 Nm |
| Conec installation tooling: | Torque wrench: 36-000200 Insert across flats 18: 36-000240 |

| Part no: | Description: | Cable-Ø: |
|----------|----------------------|----------|
| 43-00133 | SAL - 12 - RSWC8 - S | 4 - 8 mm |

DO NOT ALTER CAD DRAWING BY HAND

RoHS & REACH compliant

Index a: Ä5971 - 16.02.16 Willer - encoding corrected, data sheet and labeling field updated



dim. in mm

| | date | name |
|-------|----------|---------|
| drawn | 16.10.13 | Mankopf |
| appd. | 16.10.13 | Franz |

| | |
|--------------------|---------------|
| general tolerance: | 0 ± 0,50mm |
| | 0,0 ± 0,25mm |
| | 0,00 ± 0,10mm |



| | |
|----------|---|
| title: | Male connector M12x1, 8pos, field attachable, angled, with screw connection |
| | dwg no: |
| part no: | 43K1A2195 |
| | see table |

THIS DRAWING MAY NOT BE COPIED OR REPRODUCED IN ANY WAY, AND MAY NOT BE PASSED ON TO A THIRD PARTY WITHOUT WRITTEN PERMISSION. OWNERSHIP AND COPYRIGHT OF CONEC GmbH