

# PSE

## Compact Panel Mount Hall-Effect Rotary Sensor



### KEY FEATURES



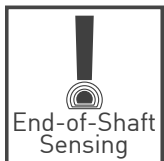
#### True, contactless operation

Without any gears or mechanical interfaces the sensor is easily assembled and calibrated and subject to limited wear and tear over lifetime.



#### Durable and robust design

The non-contacting design allows for an extra-long product lifetime of up to 50 million cycles.



#### Integrated shaft

The magnet is securely fastened to the shaft and acts as only moving component in the sensor.



#### Made for harsh environments

The rugged package protects the sensor from dust, moisture, vibration and extreme temperatures for usage in the most demanding environments.



#### Adaptable to your requirements

Custom mechanical design, programmable transfer function as well as different output protocols and redundancy levels available.

### DESCRIPTION

Piher Sensing Systems' PSE Series Rotary Position Sensors are based on contactless hall-effect technology and deliver high accuracy and linearity in a compact package. Increased rotational life and robustness against humidity, vibration and shock make them perfectly suited for harsh industrial and transportation environments. These absolute sensors will not lose its values even after a power failure.

The PSE end-of-shaft sensor is offered in two versions: one with 360 degree endless rotation with programmable electrical angles from 15 to 360 degrees (without deadband) and another version that stops the rotary movement at rotational travel of 290 degrees.

Custom versions with different shafts and customer specific output curves can be delivered on request.

### APPLICATIONS

#### Industrial

- ▶ Autonomous warehouse robotics
- ▶ Robotics and automation feedback
- ▶ Valve monitoring
- ▶ Paint spray systems
- ▶ Conveyor operation
- ▶ Test and measurement equipment
- ▶ Machine tool control

#### Transportation

- ▶ Steering wheel angle
- ▶ Pedal Position
- ▶ Suspension/height detection
- ▶ Fork height and mast tilt
- ▶ Bucket position
- ▶ Hitch position
- ▶ Transmission gear shift
- ▶ Cab controls

#### Marine

- ▶ Steering and shifter sensor

#### Home and Building Automation

- ▶ HVAC systems

#### Medical

- ▶ Equipment control

## Compact Panel Mount Hall-Effect Rotary Sensor

### MECHANICAL SPECIFICATIONS

Mechanical Angular Range <sup>1</sup>	360° endless rotation (PSE-360) 290° (PSE-290)
Connection	Fly leads, connector assembly on request
Rotational life	50.000.000 cycles
Shaft diameter <sup>1</sup>	6,25mm
Mounting Method	Panel mount
Rotational torque	≤1Ncm

<sup>1</sup> Other specifications on request

### ELECTRICAL SPECIFICATIONS

Linearity <sup>1</sup>	±1% absolute (±0.5% upon request)
Electrical Angular Range <sup>2</sup>	360°, 270°, 180°, 120°, 90°, 50°
Output Protocol	Analog (Ratiometric), PWM
Resolution	12 bits
Output Range <sup>2</sup>	standard inverted 10% to 90% Vdc 90% to 10% Vdc
Supply Voltage <sup>2</sup>	5V ±10%
Supply Current	Typ 8.5 mA
Voltage Protection	±18V
Self-diagnostic features	yes

<sup>1</sup> Ferromagnetic materials close to the sensor (i.e. shaft, mounting surface) may affect the sensor's linearity.

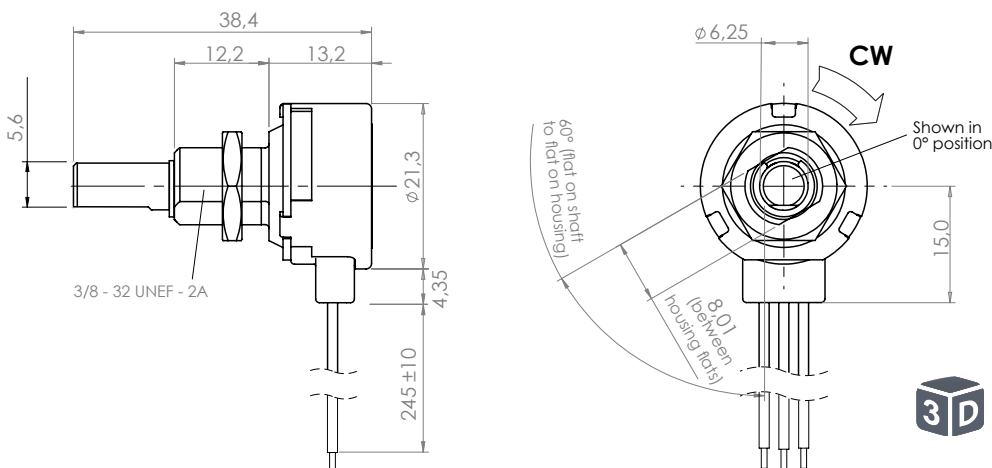
<sup>2</sup> Other specification on request

### ENVIRONMENTAL SPECIFICATIONS

Operating temperature <sup>1</sup>	-40° to +80°C
Shock	according to SHOCK MIL-STD-202F Method 213B Test Condition C
Vibration	according to MIL-STD-202F Method 204D Test Condition B
Humidity	according to MIL-STD-202F Method 103B Test Condition A
EMI / ESD	according to UNE-EN 61000-4-2:2010 +/-6kV DC; +/-8kV AC

<sup>1</sup> Other specifications available

### DIMENSIONS (IN MM)



Cable color	Function
Brown	Vcc
Black	Out
Blue	Gnd



Download the STEP file here:  
[www.piher.net](http://www.piher.net)

Sensor shipped with one nut installed at base. Assembled washer and extra nut available on request. Other shafts available on request.

## Compact Panel Mount Hall-Effect Rotary Sensor

### HOW TO ORDER

PSE-360 (360° endless rotation version) - Standard Configuration: PSE360-A-ERA360S-05

PSE360	-	-	-	ERA ____	-	-	05	-	----
<b>Series</b>		<b>Output<sup>1</sup></b>		<b>Electric rotational angle<sup>2</sup></b>		<b>Output function<sup>3</sup></b>	<b>Voltage supply</b>		<b>PWM Frequency Hz.<sup>4</sup></b>
		A = analogic P = PWM		ERA360 ERA270 ERA180 ERA120 ERA090 ERA050		S = standard I = inverted	05 = 5V ±10%		F250

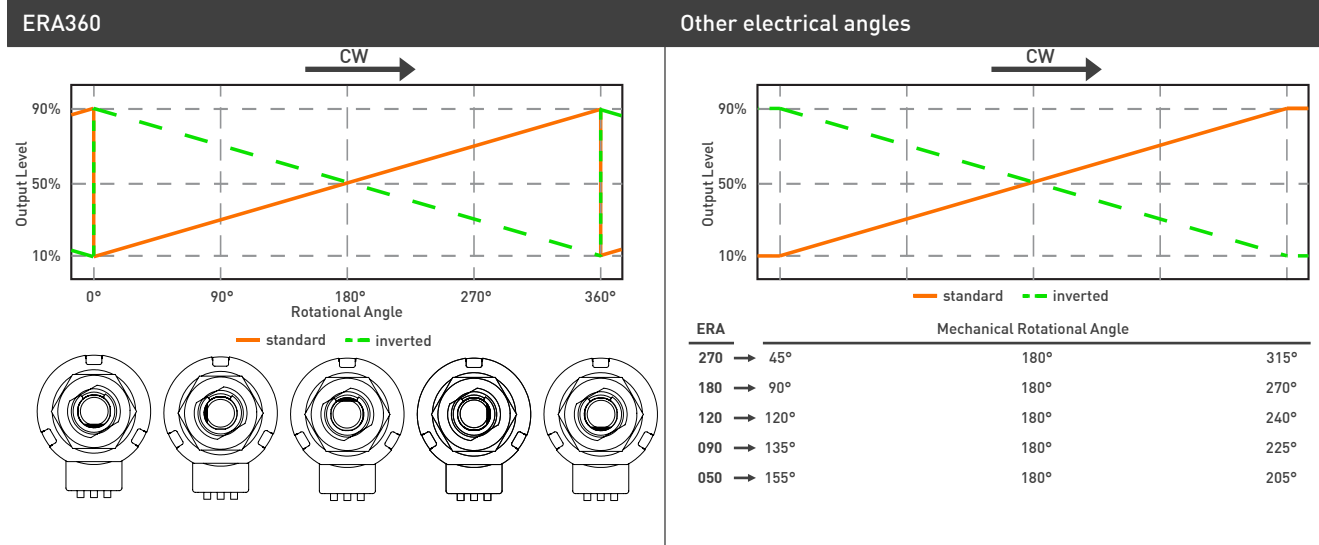
- 1 The analog output is ratiometric, proportional to input voltage.
- 2 Other electrical angular ranges available on request.
- 3 Other output functions available on request. Enter X as long as the new output function is not defined.
- 4 Leave empty if not applicable. Others available on request.

PSE-290 (290° rotation version) - Standard Configuration: PSE290-A-ERA270S-05

PSE	290	-	A	-	ERA 270	S	-	05	-	----
<b>Series</b>	<b>Mechanical rotational angle<sup>1</sup></b>		<b>Output<sup>2</sup></b>		<b>Electric rotational angle<sup>1</sup></b>	<b>Output function<sup>3</sup></b>		<b>Voltage supply</b>		<b>PWM Frequency Hz.<sup>4</sup></b>
	290		A = analogic P = PWM		ERA270	S = standard I = inverted		05 = 5V ±10%		F250

- 1 Other mechanical and/or electrical angular ranges available on request.
- 2 The analog output is ratiometric, proportional to input voltage.
- 3 Other output functions available on request. Enter X as long as the new output function is not defined.
- 4 Leave empty if not applicable. Others available on request.

### PSE-360 TYPICAL OUTPUT CURVE



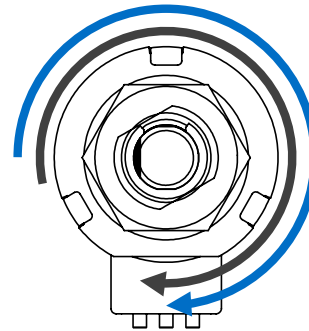
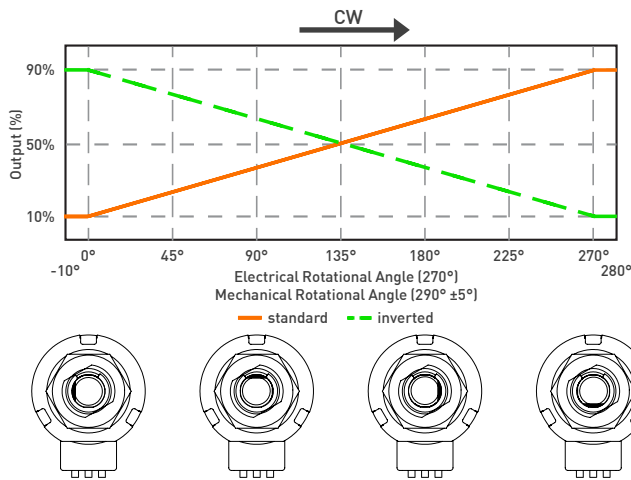
Custom output functions available on request.

# PSE

## Compact Panel Mount Hall-Effect Rotary Sensor

### PSE-290 TYPICAL OUTPUT CURVE

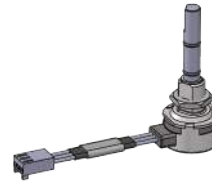
ERA-270



Custom output functions available on request.

### MECHANICAL CUSTOMIZATION OPTIONS

- Different shaft sizes
- Additional O-rings
- Connector assembly
- Heat shrink wire protectors



Please always use the latest updated datasheets and 3D models published on our website.

#### Disclaimer:

The product information in this catalog is for reference purposes. Please consult for the most up to date and accurate design information. Piher Sensors & Controls S.A., its affiliates, agents, and employees, and all persons acting on its or their behalf (collectively, "Piher"), disclaim any and all liability for any errors, inaccuracies or incompleteness contained herein or in any other disclosure relating to any product described herein. Piher disclaims any and all liability arising out of the use or application of any product described herein or of any information provided herein to the maximum extent permitted by law. The product specifications do not expand or otherwise modify Piher's terms and conditions of sale, including but not limited to the warranty expressed therein, which apply to these products. No license, express or implied, by estoppel or otherwise, to any intellectual property rights is granted by this document or by any conduct of Piher. The products shown herein are not designed for use in medical, life-saving, or life-sustaining applications unless otherwise expressly indicated. Customers using or selling Piher products not expressly indicated for use in such applications do so entirely at their own risk and agree to fully indemnify Piher for any damages arising or resulting from such use or sale. Please contact authorized Piher personnel to obtain written terms and conditions regarding products designed for such applications. Product names and markings noted herein may be trademarks of their respective owners. Information contained in and/or attached to this catalog may be subject to export control regulations of the European Community, USA, or other countries. Each recipient of this document is responsible to ensure that usage and/or transfer of any information contained in this document complies with all relevant export control regulations. If you are in any doubt about the export control restrictions that apply to this information, please contact the sender immediately. For any Piher Exports, Note: All products / technologies are EAR99 Classified commodities. Exports from the United States are in accordance with the Export Administration Regulations. Diversion contrary to US law is prohibited.

### CONTACT

**Piher Sensing Systems**  
Polígono Industrial Municipal  
Vial T2, N°22  
31500 Tudela  
Spain

[sales@piher.net](mailto:sales@piher.net)

Europe: +34 948 820 450  
Americas: +1 636 251 0855  
Asia Pacific: +65 9641 8886  
India: +91 9538 686 586

Rev:220521/023 © Piher Sensors & Controls S.A.