

# SMD LOW PROFILE CRYSTAL



ABS06-127-32.768KHZ-T



2.0 x 1.2 x 0.6 mm  
RoHS/RoHS II Compliant

MSL=N/A:NOTAPPLICABLE

## FEATURES

- Miniature 2.0 x 1.2 mm footprint
- Low 0.6 mm profile
- Industrial temperature range (-40°C to +85°C)
- ±20 ppm initial frequency tolerance

## APPLICATIONS

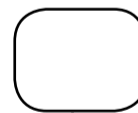
- Internet of Things (IoT)
- Industrial IoT
- Low power devices
- Real time clocks
- MCU clocking

## KEY ELECTRICAL SPECIFICATIONS

Parameters	Minimum	Typical	Maximum	Units	Notes
Frequency		32.768		kHz	
Operation Mode	Flexural Mode (Tuning Fork)				
Operating Temperature Range	-40		+85	°C	
Storage Temperature	-55		+125	°C	
Frequency Tolerance @ +25°C	-20		+20	ppm	Tested at 0.5uW
Temperature Coefficient:	-0.04	-0.03	-0.02	ppm/T <sup>2</sup>	
Turn-over temperature:	+20	+25	+30	°C	
Equivalent series resistance (R1)			90	kΩ	
Load capacitance (CL)		12.5		pF	
Drive Level		0.1	0.5	μW	
Q value	9000				
Aging@25°C±3°C	-3		3	ppm	First year
Insulation Resistance	500			MΩ	@ 100Vdc ± 15V

## PART IDENTIFICATION

ABS06-127-32.768KHZ -



### Packaging

Blank: Bulk

T3: 3kpcs / reel

# SMD LOW PROFILE CRYSTAL



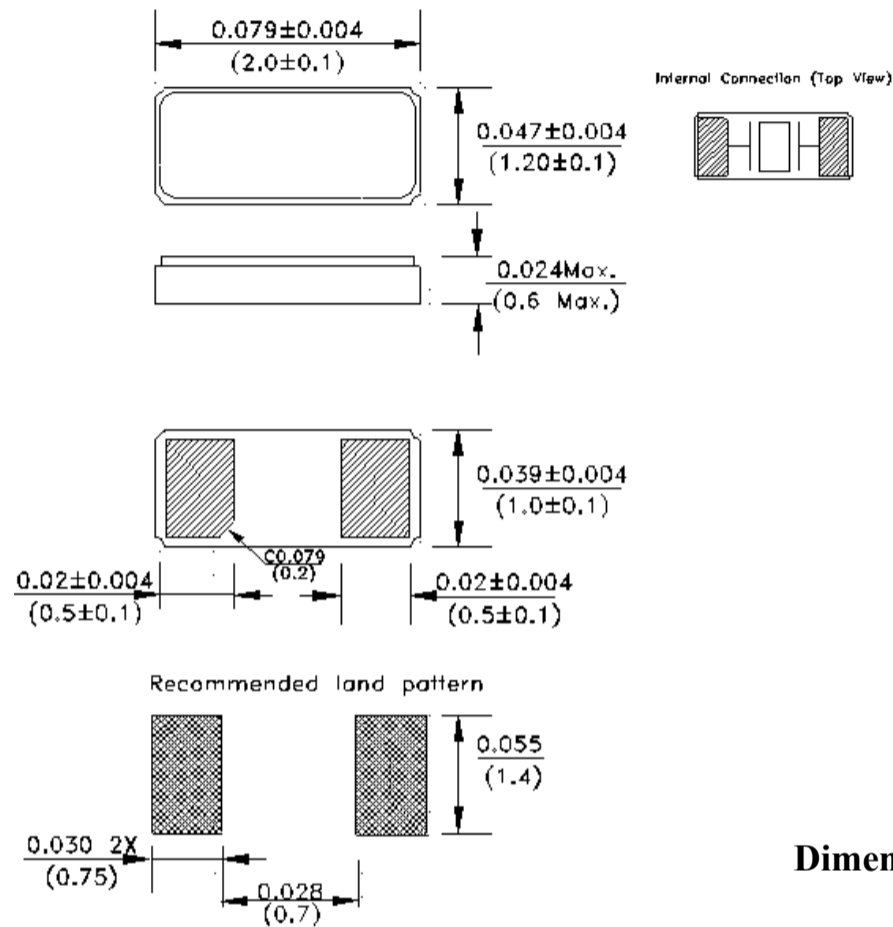
ABS06-127-32.768KHZ-T



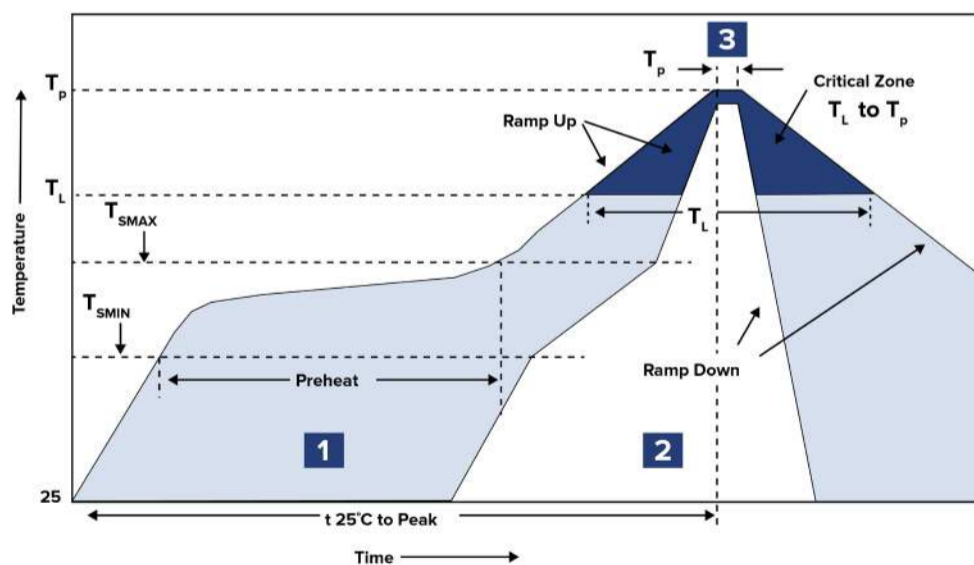
2.0 x 1.2 x 0.6 mm  
RoHS/RoHS II Compliant

MSL=N/A:NOTAPPLICABLE

## MECHANICAL DIMENSIONS



## REFLOW PROFILE



Zone	Description	Temperature	Time
1	Preheat	$T_{SMIN} \sim T_{SMAX}$ 150°C ~ 180°C	60 ~ 120 sec.
2	Reflow	$T_L$ 230°C	30 ~ 40 sec.
3	Peak Heat	$T_P$ 260°C	10 sec. MAX

# SMD LOW PROFILE CRYSTAL



ABS06-127-32.768KHZ-T

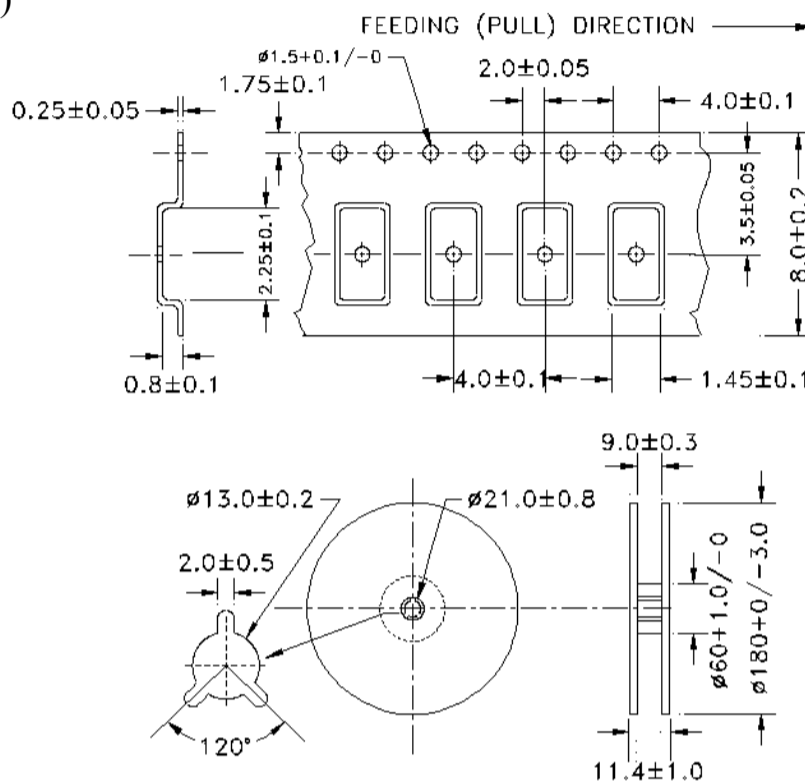


2.0 x 1.2 x 0.6 mm  
RoHS/RoHS II Compliant

MSL=N/A:NOTAPPLICABLE

## PACKAGING

T=Tape and reel (3,000pcs/reel)



Dimensions: mm