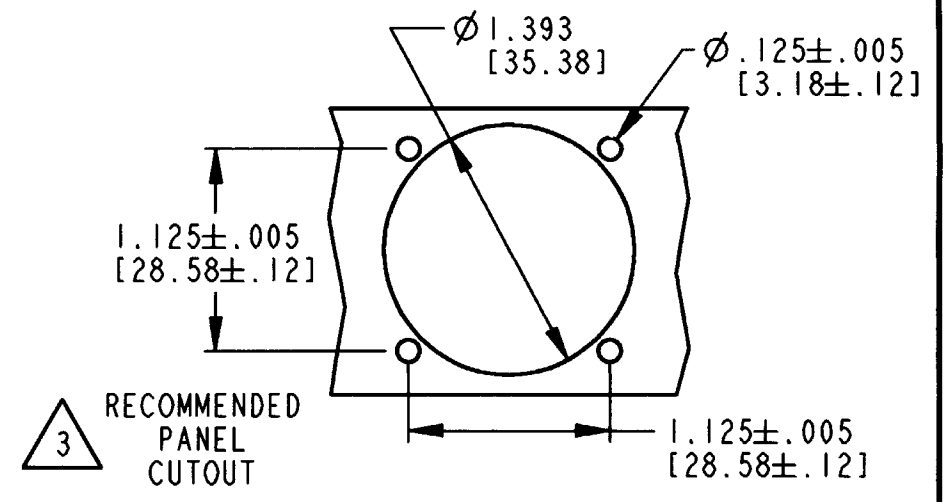
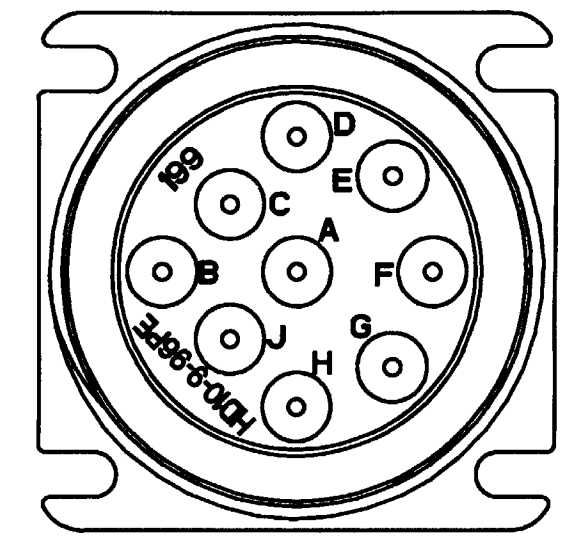
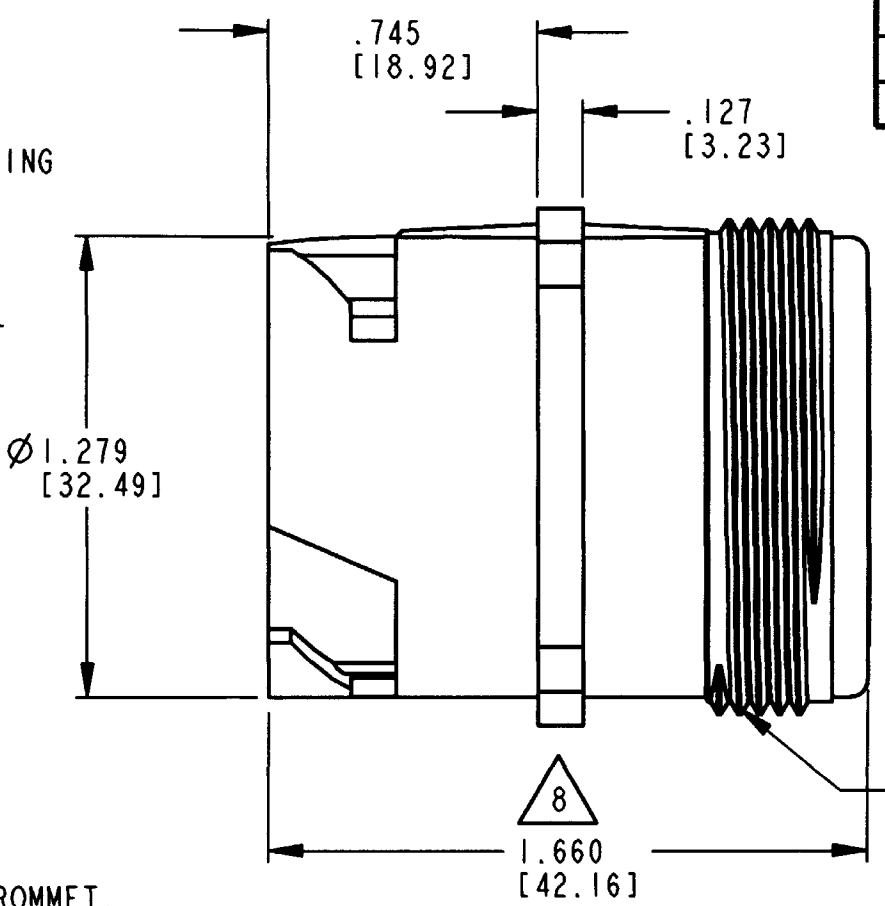
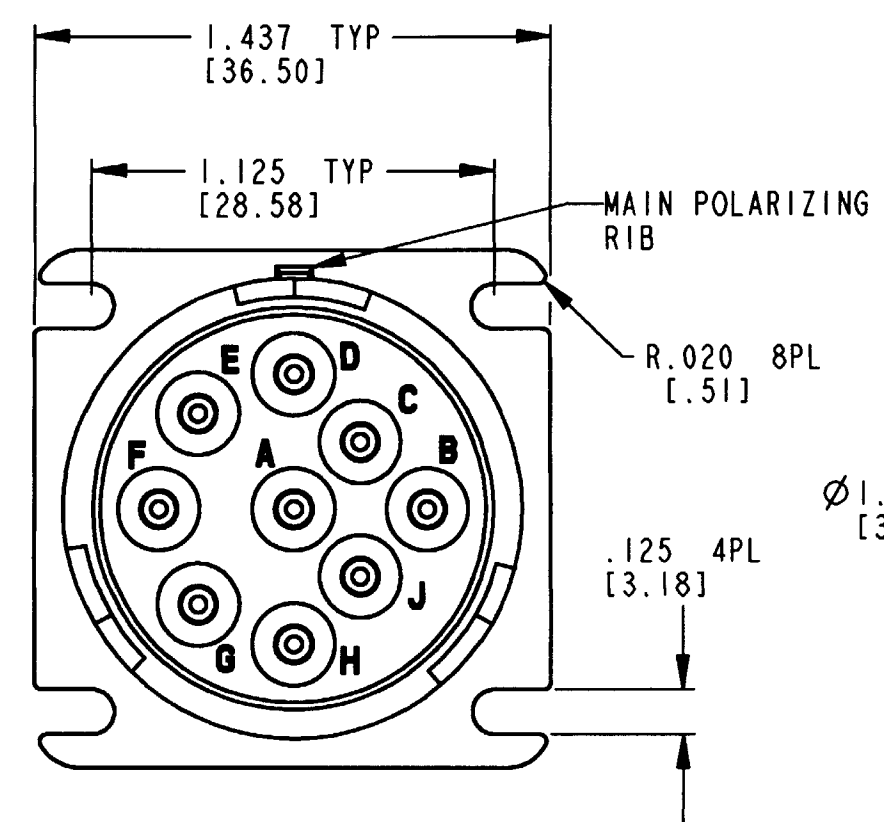


REV
A HD10-9-96PE

REVISIONS			
SYM	DESCRIPTION	DATE	APPROVED
NC	NEW RELEASE PER E.O. P15932	4/8/99	J.A.
A	REVISED PER E.O. P17742	12-27-02	ADR



9. MATERIAL: SHELL: PLASTIC; SEAL: RUBBER.
8. OVERALL DIMENSION DOES NOT INCLUDE RUBBER GROMMET.
7. THIS RECEPTACLE MATES WITH HD16-9-96S*-**** PLUG (* = SEAL TYPE, **** = ALL MODIFICATIONS).
6. FOR CONTACT AND WIRE PERFORMANCE AND APPLICATION CHARACTERISTICS, SEE ENVELOPE DRAWING 0425-015-0000.
5. THIS CONNECTOR SERIES WILL ACCOMMODATE THE FOLLOWING WIRE INSULATION DIAMETERS:
- | CONTACT SIZE | MINIMUM O.D. | MAXIMUM O.D. |
|--------------|----------------|----------------|
| 16 | .053
(1.35) | .120
(3.05) |
4. CONSULT FACTORY FOR ELECTRICAL AND MATERIAL SPECIFICATIONS.
3. MAXIMUM PANEL THICKNESS IS .250 [6.35].

2. DIMENSION TOLERANCE: ±.025 [.63], UNLESS OTHERWISE SPECIFIED.

NOTES: 1. ALL DIMENSIONS ARE INCHES [MILLIMETERS].

SIGNATURE & DATE	
DR	D. SPENCER 15MAR99
CHK	Paul Baker 12/10/02
PE	Brand 12-9-02
APPD	R. Rod 12-27-02
SCALE	2:1 WT

RECEPTACLE
SQUARE FLANGE
HD10 SERIES
ARR. 9-96
COLOR: GREY

ENVELOPE

CP	MATL. CODE
	The Deutsch Company DEUTSCH I.P.D. 3850 INDUSTRIAL AVE. HEMET, CALIF. 92545
B	HD10-9-96PE
DWG SIZE	CODE 11139 SHEET OF