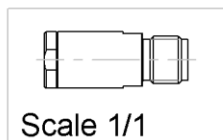
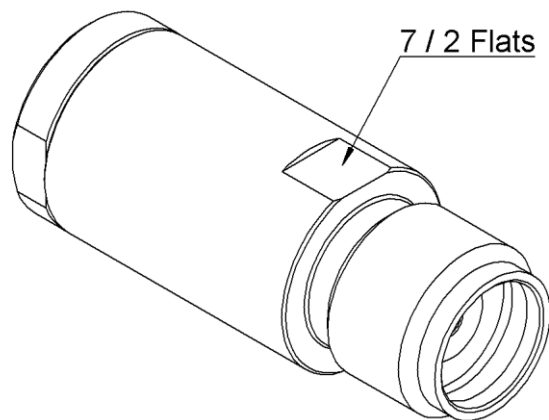
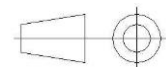


| | | | |
|----------|------------------------|------------------------------|-------------------------------|
| PAGE 1/2 | ISSUE 23-10-19C | SERIES TERMINATION | PART NUMBER R404285000 |
|----------|------------------------|------------------------------|-------------------------------|



All dimensions are in mm. Tolerances according ISO 2768 m-H



| COMPONENTS | MATERIALS | PLATING (µm) |
|----------------|-------------------------|------------------------------|
| Body | STAINLESS STEEL | PASSIVATED |
| Center contact | BERYLLIUM COPPER | GOLD 1.3 OVER NICKEL2 |
| Outer contact | | |
| Insulator | ULTEM | |
| Gasket | | |
| Substrate | ALUMINA | |
| Resistor | THIN FILM | |
| Others parts | | |

| | | | |
|----------|------------------------|------------------------------|-------------------------------|
| PAGE 2/2 | ISSUE 23-10-19C | SERIES TERMINATION | PART NUMBER R404285000 |
|----------|------------------------|------------------------------|-------------------------------|

ELECTRICAL CHARACTERISTICS

| | |
|--------------------|----------------|
| Frequency (GHz) | DC - 40 |
| V.S.W.R (\leq) | 1.35 |

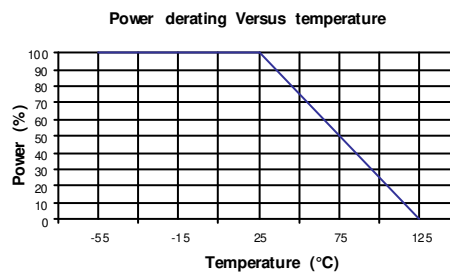
| | | |
|------------------------------------|----------------|-----------------------|
| Operating Frequency Range | DC - 40 | GHz |
| Impedance | 50 | Ω |
| DC Resistance | 50 | $\Omega \pm 5\%$ |
| Peak power at 25°C (1 μ s, 1%) | 100 | W |
| Average power at 25°C | 1 | W (Free Air Cooled) |
| | | W (Conduction Cooled) |

MECHANICAL CHARACTERISTICS

| | | | |
|------------|-----------------|---------------|--------------------|
| Connectors | SMA 2.9 | Female | MIL C 39012 |
| Weight | 4,9200 g | | |

ENVIRONMENTAL CHARACTERISTICS

| | | |
|-----------------------------|-----------------|--------------------|
| Operating temperature range | -55/+125 | $^{\circ}\text{C}$ |
| Storage temperature range | -55/+125 | $^{\circ}\text{C}$ |



SPECIFICATION

OTHER CHARACTERISTICS