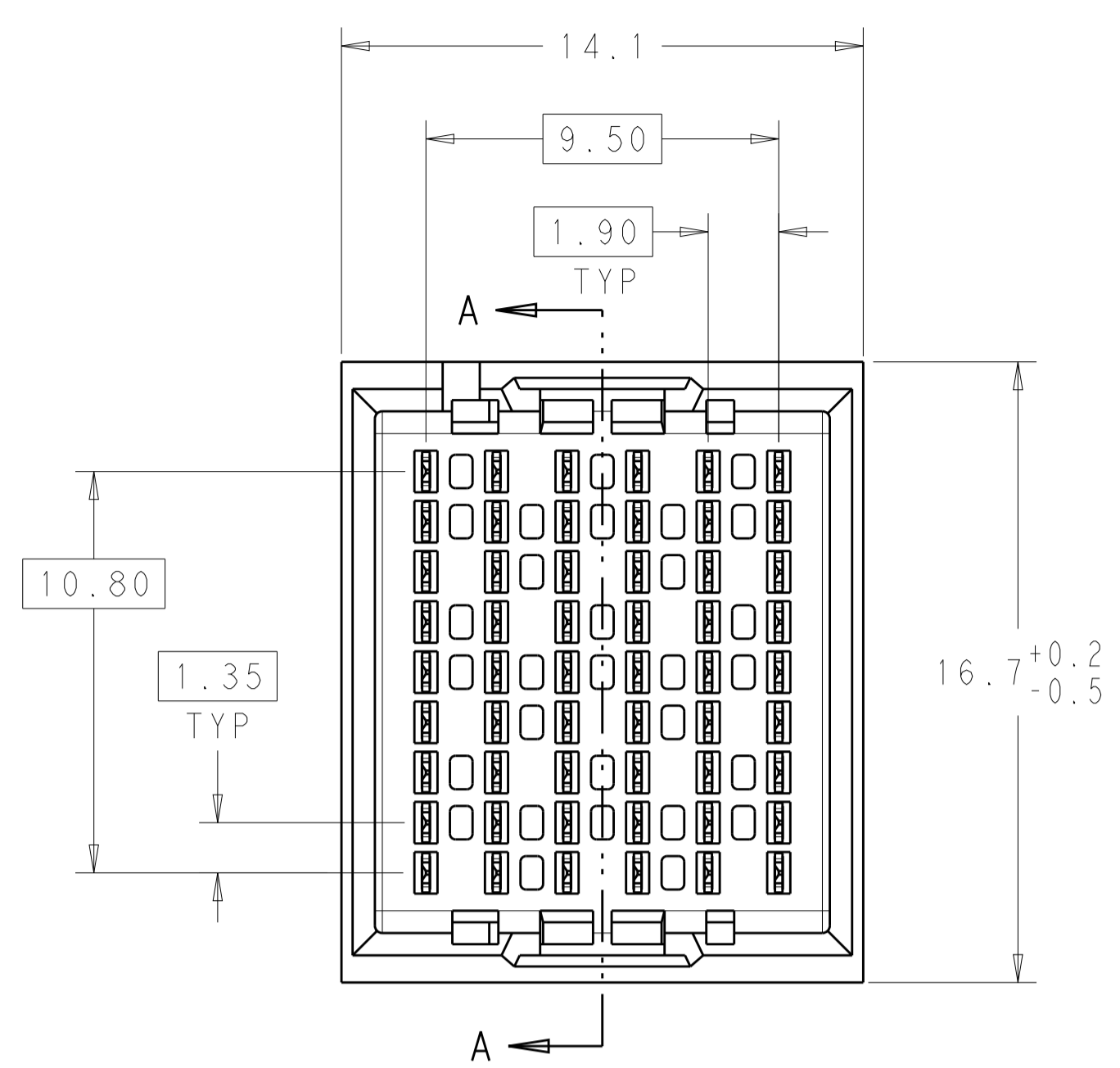
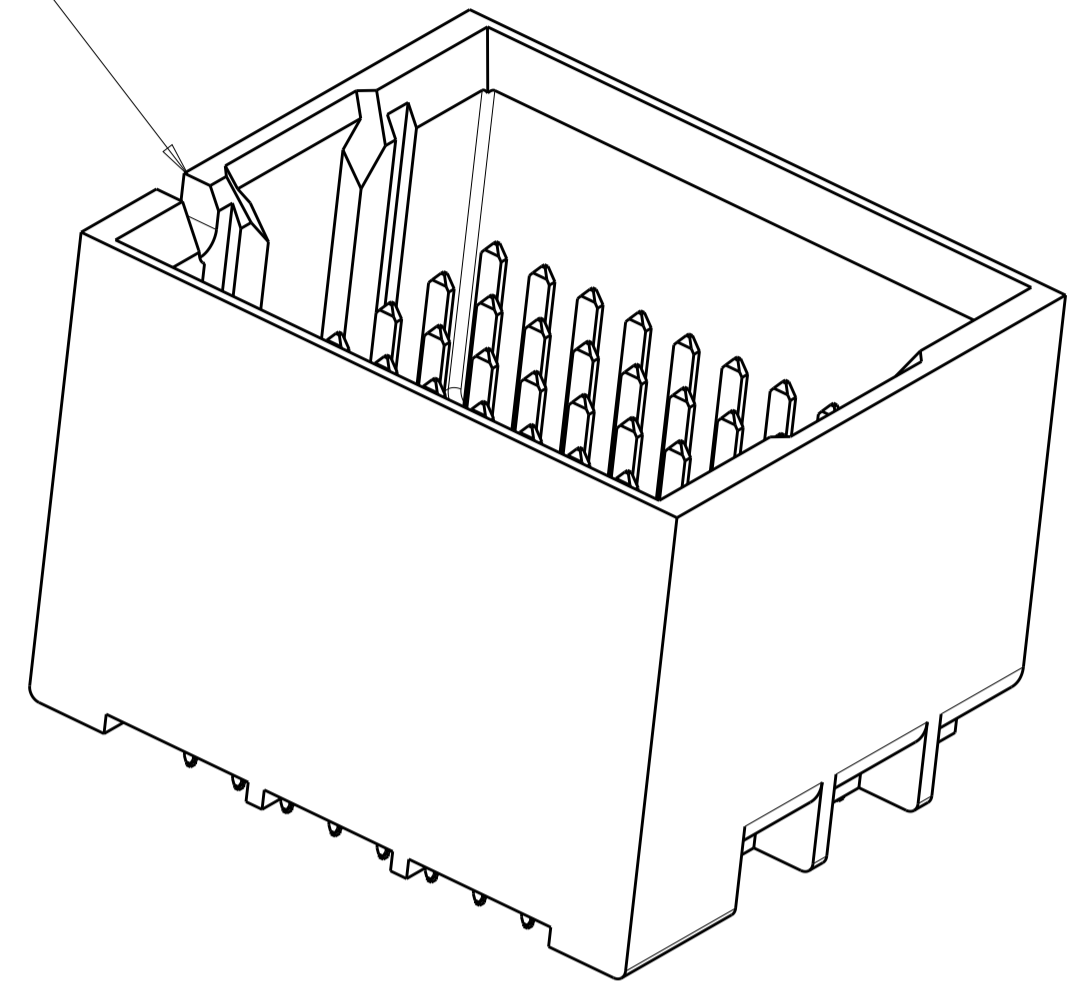


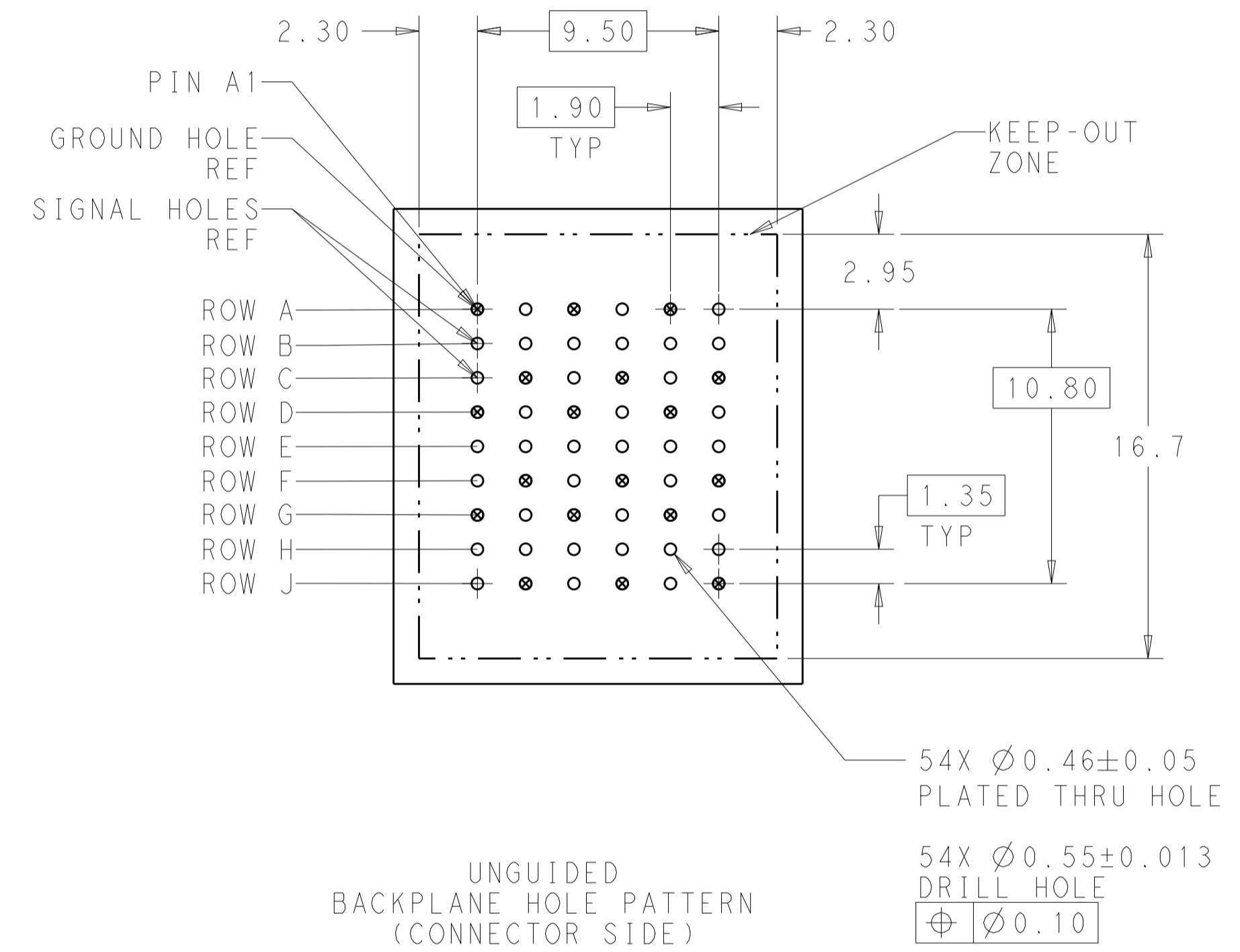
LOC		DIST		REVISIONS			
P	LTN	DESCRIPTION	DATE	DWN	APVD		
A		REVISED PER ECO-15-003242	23MAR2015	AP	DD		



NOTCH DESIGNATES ROW A

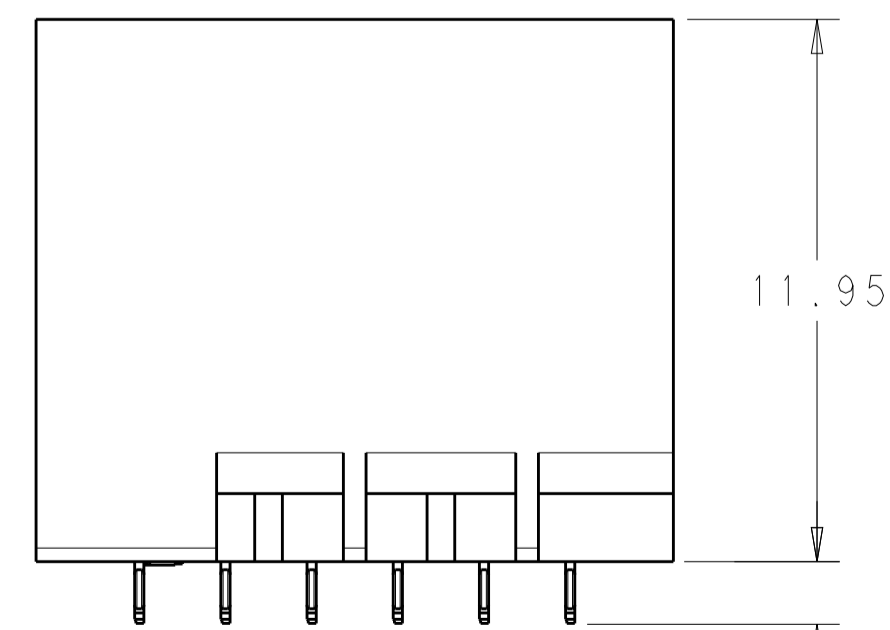


- 1 MATERIAL:
HOUSING: LCP, GLASS FILLED, UL94V-0.
TERMINALS: HIGH PERFORMANCE COPPER ALLOY.
- 2 FINISH:
30μ" MIN GOLD IN CONTACT AREA. SELECTIVE TIN ON PCB TAILS, NICKEL OVERALL.
- 3 FINISH:
30μ" MIN GOLD IN CONTACT AREA. SELECTIVE TIN-LEAD ON PCB TAILS, NICKEL OVERALL.

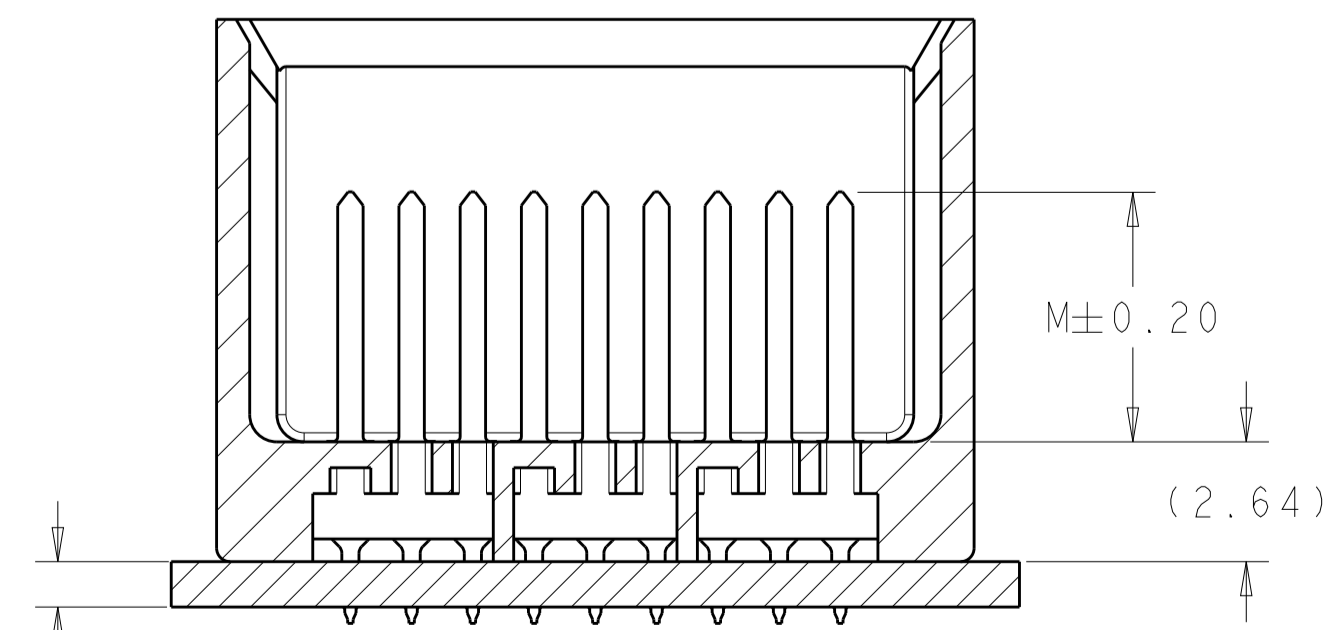


UNGUIDED BACKPLANE HOLE PATTERN (CONNECTOR SIDE)

54X Ø0.46±0.05 PLATED THRU HOLE
54X Ø0.55±0.013 DRILL HOLE
⊕ Ø0.10



1.4 TAIL LENGTH



SECTION A-A

1.00 MINIMUM BOARD THICKNESS

THIS DRAWING IS A CONTROLLED DOCUMENT.		DWN: KIRAN HOLAL 17NOV2012	TE Connectivity
DIMENSIONS: mm		CHK: D. DIXON 17NOV2012	
TOLERANCES UNLESS OTHERWISE SPECIFIED:		APVD: D. DIXON 17NOV2012	NAME: IMPACT, 3 PAIR, 6 COLUMN, HEADER
0 PLC	±	PRODUCT SPEC	UNGUIDED, DUAL END WALL
1 PLC	±0.25	APPLICATION SPEC	SIGNAL MODULE, 0.46 PTH
2 PLC	±0.13	SIZE	A100779
3 PLC	±	WEIGHT	C=2132536
4 PLC	±	Customer Drawing	SCALE 6:1 SHEET 1 OF 2 REV A
ANGLES	±		
FINISH	SEE TABLE		

THIS DRAWING IS UNPUBLISHED. RELEASED FOR PUBLICATION 20
 © COPYRIGHT 20 BY - ALL RIGHTS RESERVED.

LOC		DIST		REVISIONS			
		P	LTN	DESCRIPTION	DATE	DMN	APVD
-	-	-	-	SEE SHEET 1	-	-	-

FINISH	DIM M	PART NUMBER
△3	5.5	2132536-6
△3	4.9	2132536-5
△3	4.5	2132536-4
△2	5.5	2132536-3
△2	4.9	2132536-2
△2	4.5	2132536-1

REFER TO WWW.TE.COM
FOR PRODUCT AVAILABILITY

THIS DRAWING IS A CONTROLLED DOCUMENT.		DMN KIRAN HOLAL 17NOV2012	
DIMENSIONS: mm		CHK D. DIXON 17NOV2012	
TOLERANCES UNLESS OTHERWISE SPECIFIED: 0 PLC ± 1 PLC ±0.25 2 PLC ±0.13 3 PLC ± 4 PLC ± ANGLES ±		APVD D. DIXON 17NOV2012	NAME IMPACT, 3 PAIR, 6 COLUMN, HEADER UNGUIDED, DUAL END WALL SIGNAL MODULE, 0.46 PTH
MATERIAL -		FINISH SEE TABLE	SIZE A100779C=2132536
		WEIGHT -	RESTRICTED TO -
		Customer Drawing	SCALE 5:1 SHEET 2 OF 2 REV A