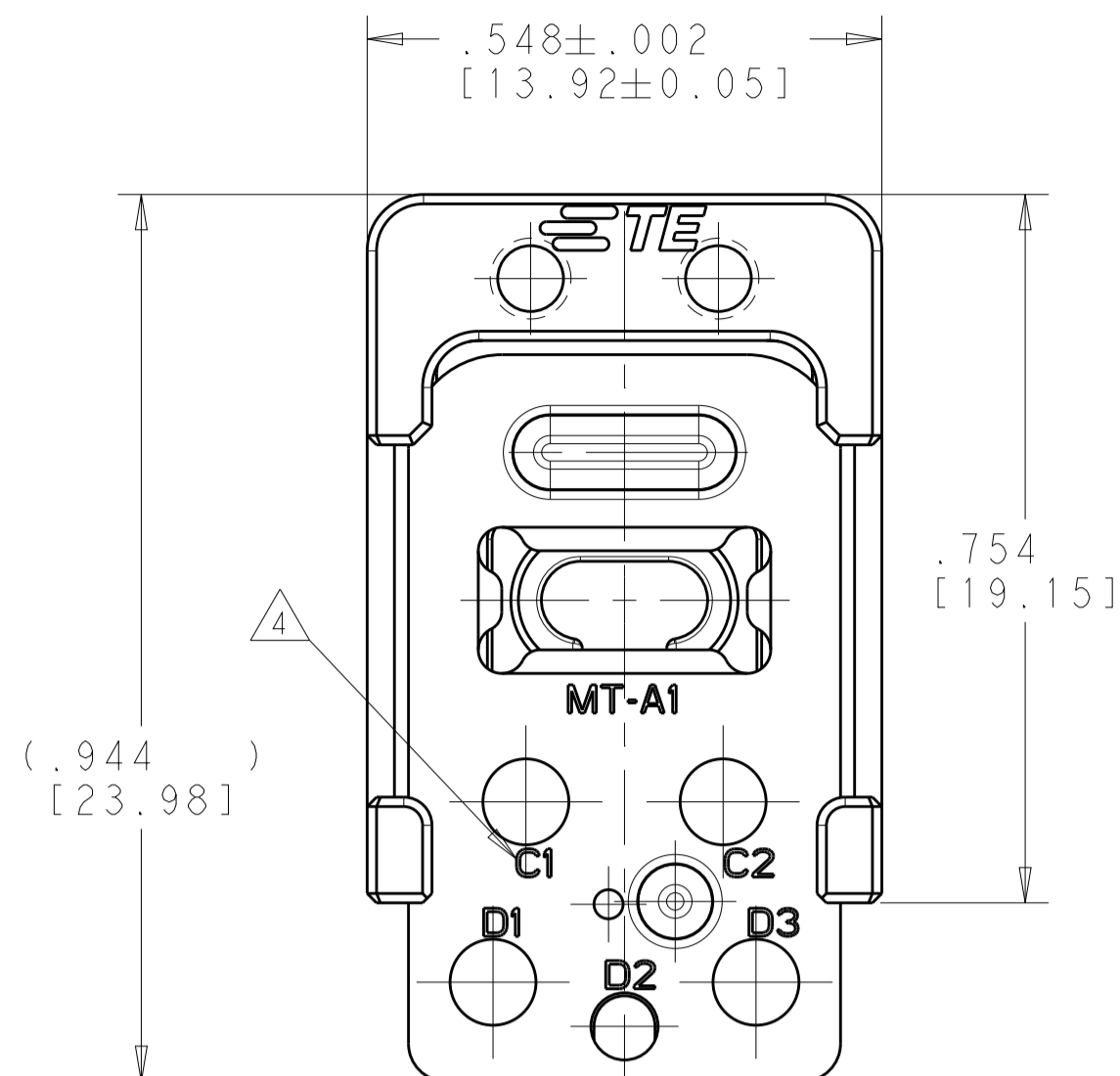
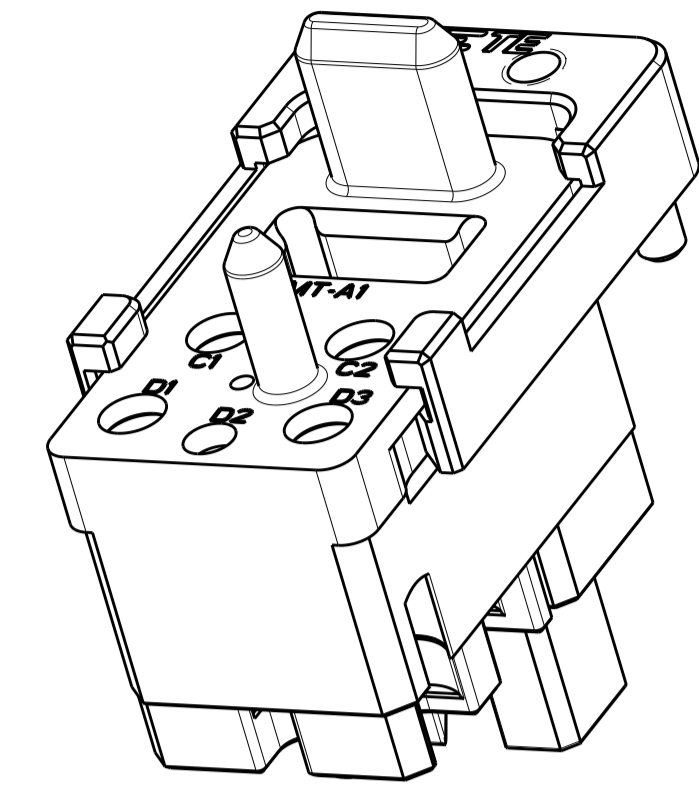


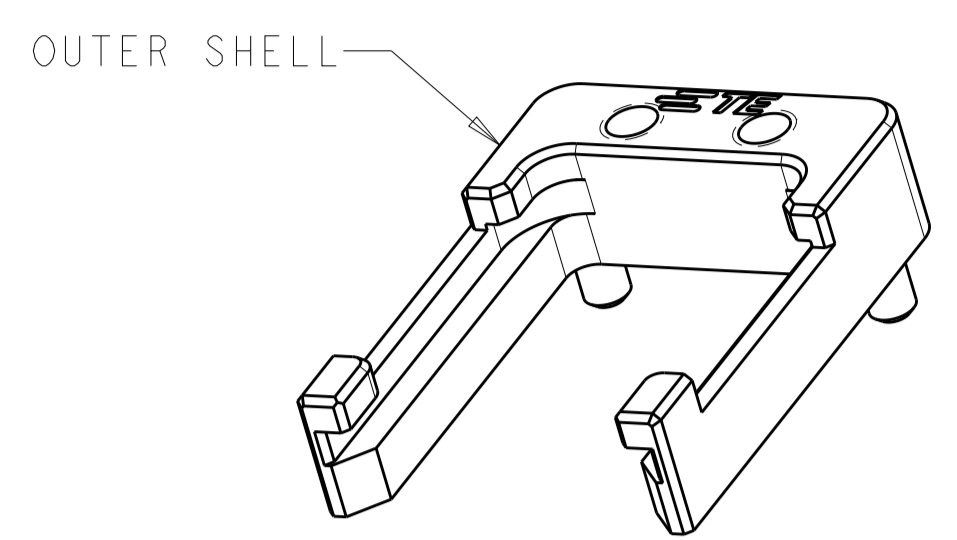
REVISIONS				
P.	LTN	DESCRIPTION	DATE	APVD
A		RELEASED PER ECO-20-017928	15DEC2020	KM CG



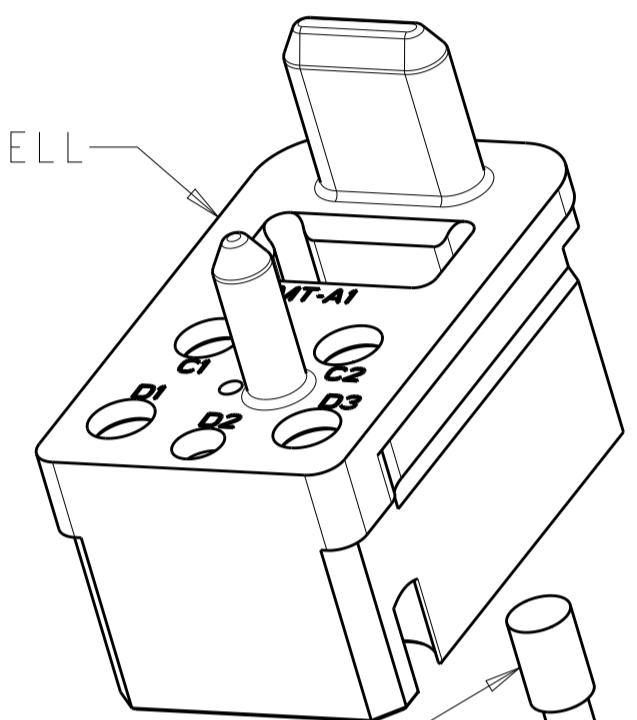
CIRCUIT	CABLE SIZE
MT-A1	-
C1, C2	.086
D1, D3	.086
D2	.047



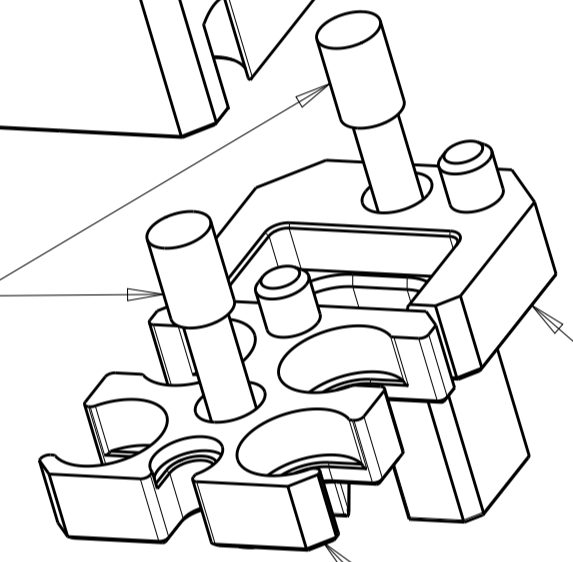
SCALE 4:1



OUTER SHELL



INNER SHELL

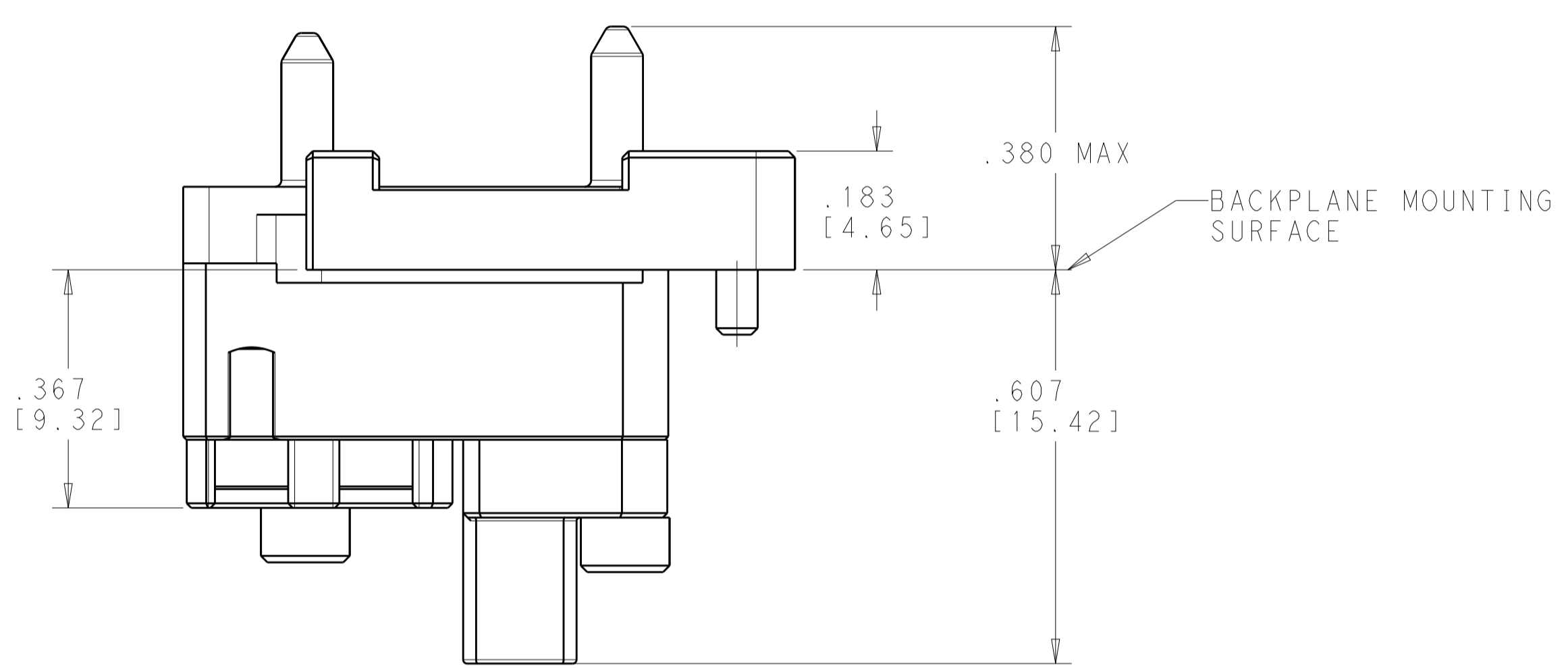
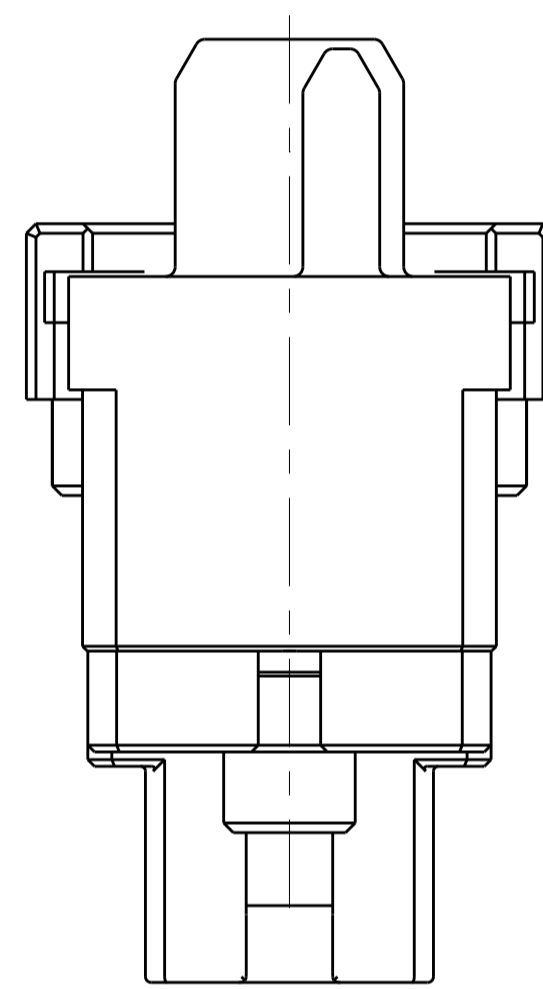


MT BACKPLATE

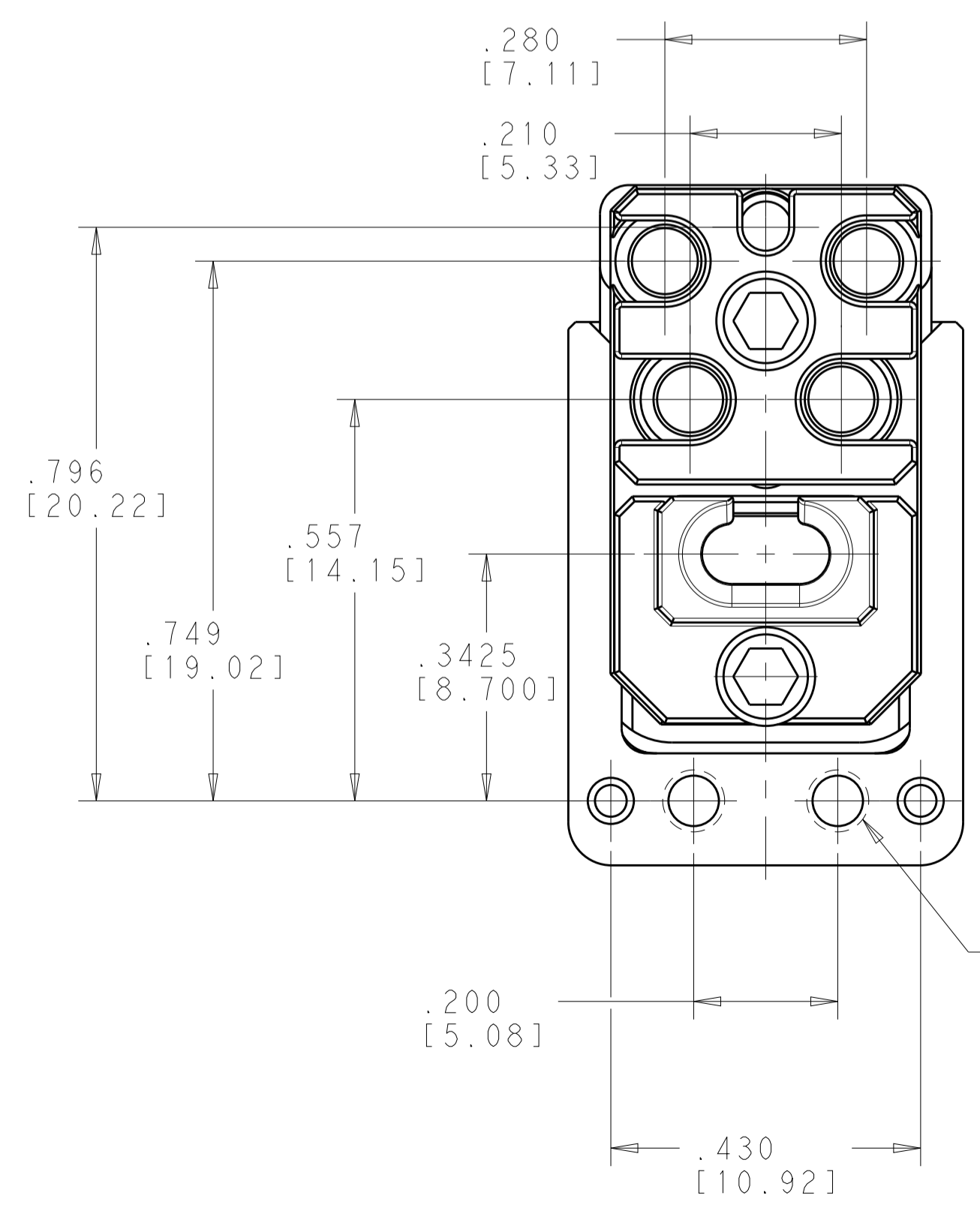
2-56 UNC CAPTIVE SCREWS



SCALE 4:1



BACKPLANE MOUNTING SURFACE



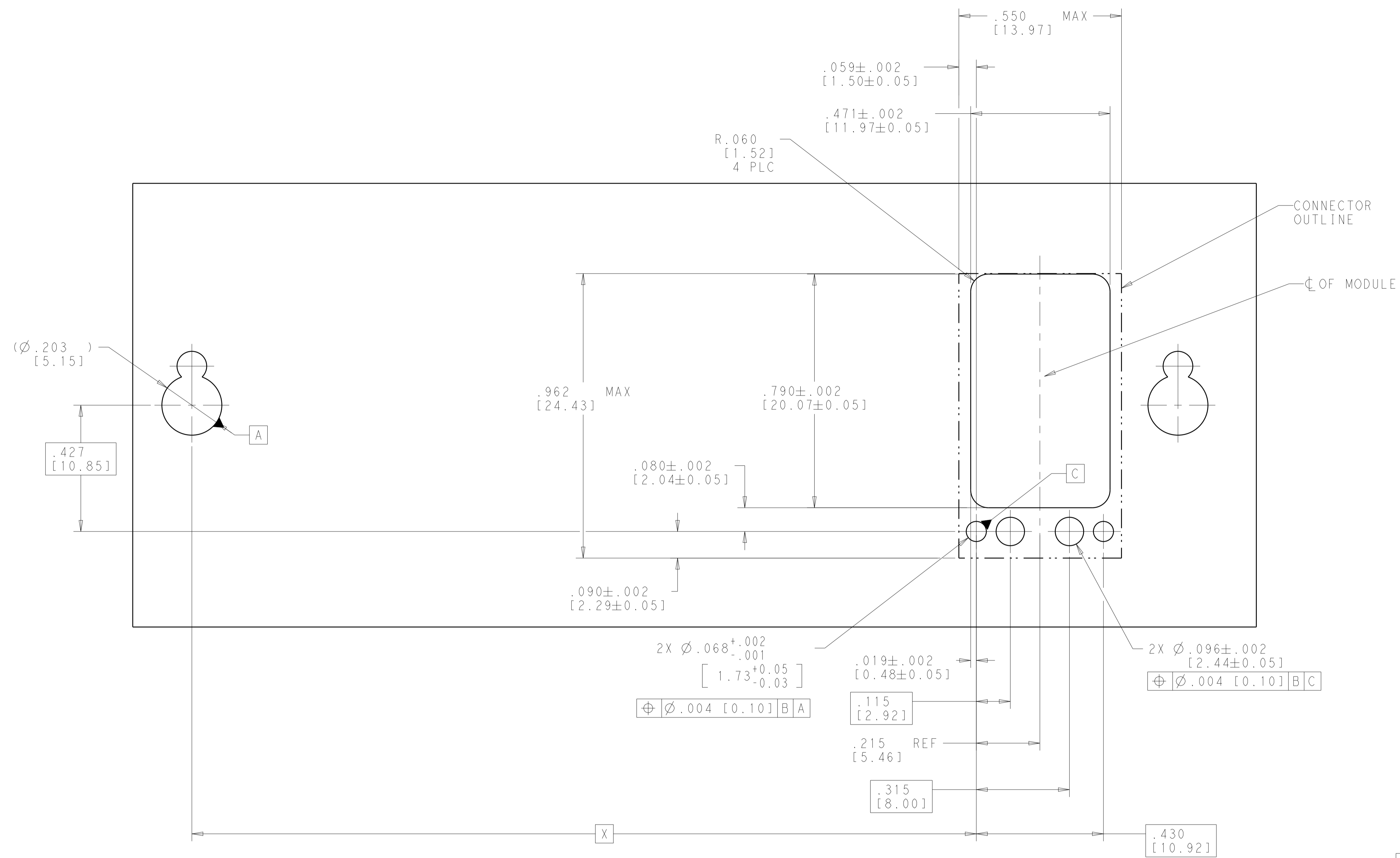
2-56 UNC-2B THREADED THRU HOLE 2 PLACES

- 1 MATERIAL:
OUTER SHELL, INNER SHELLS AND BACKPLATES - ALUMINUM ALLOY
SCREWS - 300 SERIES STAINLESS STEEL
- 2 FINISH:
OUTER SHELL, INNER SHELLS AND BACKPLATES - CLEAR CHROMATE CONVERSION COATING
SCREWS - PASSIVATED
- 3. SHIPPED IN KIT FORM. BACKPLATE SCREWS TO BE ASSEMBLED TO BACKPLATE.
- 4 CIRCUIT IDENTIFICATION MARKING
- 5. DESIGNED TO BE USED WITH NanoRF CONTACTS 2302345-1 (.047 CABLE) AND 2332772-1 (.086 CABLE) AND MT FERRULE KIT 2332756-1 (12 FIBER) OR 2332756-2 (24 FIBER) ORDERED SEPARATELY.
- 6 PRODUCT SPEC:
NanoRF: 108-163006
MT FIBER OPTIC: 108-163029
- 7 APPLICATION SPEC:
NanoRF: 408-163016
MT FIBER OPTIC: 114-163023

2358431-1
PART NUMBER

THIS DRAWING IS A CONTROLLED DOCUMENT.		OWN: R. MILLER 08JUL2019	TE Connectivity
DIMENSIONS: INCHES/mm		CHK: C. GINGRICH 12AUG2019	
TOLERANCES UNLESS OTHERWISE SPECIFIED:		APVD:	NAME: NanoRF MODULE, BACKPLANE, F/O WITH 4 POSITION .086 CABLE PLUS 1 POSITION .047 CABLE, VITA
0 PLC ±	1 PLC ±	PRODUCT SPEC 6	SIZE: CAGE CODE DRAWING NO. RESTRICTED TO
2 PLC ±	3 PLC ±.005(0.13)	APPLICATION SPEC 7	A100779C=2358431
4 PLC ±	ANGLES ±	WEIGHT:	SCALE 5:1 SHEET 1 OF 2 REV A
MATERIAL 1	FINISH 2	CUSTOMER DRAWING	

REVISIONS				
P.	LTN	DESCRIPTION	DATE	APVD
-	-	SEE SHEET 1	-	-



REF PCB LAYOUT - SEE VITA 67.3 FIGURE 6.1.5.2-1

J1B	1.541[39.15]
J2A	2.097[53.27]
J2B	2.653[67.39]
J3A	3.785[96.14]
J3B	4.341[110.26]
J4A	4.919[124.94]
J4B	5.475[139.06]
J5A	6.053[153.74]
J5B	6.609[167.86]
J6A	7.187[182.54]
J6B	7.743[196.66]
POSITION	DIM "X"

THIS DRAWING IS A CONTROLLED DOCUMENT.		DWN R. MILLER CHK C. GINGRICH	08JUL2019 12AUG2019	TE Connectivity
DIMENSIONS: INCHES/mm	TOLERANCES UNLESS OTHERWISE SPECIFIED:	APVD	NAME	
	0 PLC ±	PRODUCT SPEC	NanoRF MODULE, BACKPLANE, F/O WITH	
	1 PLC ±	APPLICATION SPEC	4 POSITION .086 CABLE PLUS	
MATERIAL	2 PLC ±	WEIGHT	1 POSITION .047 CABLE, VITA	
	3 PLC ±	SIZE CAGE CODE DRAWING NO	A100779C=2358431	
4 PLC ±	RESTRICTED TO	CUSTOMER DRAWING	SCALE 5:1 SHEET 2 OF 2 REV A	
ANGLES				
FINISH				