

# I/O CONNECTORS

## Reduced Size I/O, 16 Position XX-9257



An I/O interconnect system designed for portable equipment.

KYOCERA AVX offers this plug and socket reduced size system as a standard product. The fixed SMT socket is designed to be mounted on a PCB and housed within a portable device. The plug is designed for cable termination with options of single and double sided contacts and customizing the overmold cover or parts can be supplied as connector only for sub contract termination. The socket connector houses 16 contacts in two rows on 1.25mm pitch with a rating of 1 amp per contact. Both connectors are RoHS compliant.

### APPLICATIONS

- Cellular Phones
- Handheld Devices
- Industrial Modules
- Medical Electronics

### FEATURES AND BENEFITS

- No latching is required due to the click design of the contacts.
- Optional customization of the overmold cover.
- Options of single row (8 way) or dual row (16 way) plug connector.
- Compact size to optimize PCB real estate.
- Metal outer cover provides integrated PCB location and solder tab.
- Positive alignment and orientation of the plug and socket.
- 5K mating cycles and 1 amp rated.

### ELECTRICAL

- Current Rating: 1 Amp / Contact
- Voltage Rating: 125 VAC

### ENVIRONMENTAL


- Operating Temperature: -55°C to +85°C

### MECHANICAL

- Insulator Material: Nylon 46; UL94 V-0
- Contact Material: Beryllium Copper
- Plating: Gold over Nickel
- Durability: 5,000 Cycles

### HOW TO ORDER

#### Plug Options – Example

<b>10</b>	<b>9257</b>	<b>0XX</b>	<b>001</b>	<b>003</b>	<b>PACKING</b> Parts packed in tubes 50 per tube	
Prefix 10 = Plug	Series	No of Ways 008 = 8 Way – One side of the moulding loaded with contacts 016 = 16 Way – Both sides of the moulding loaded with contacts	Contact 001 = Solder Bucket	Plating Option 003 = 0.8µm Selective Gold, Pure Tin Tail		

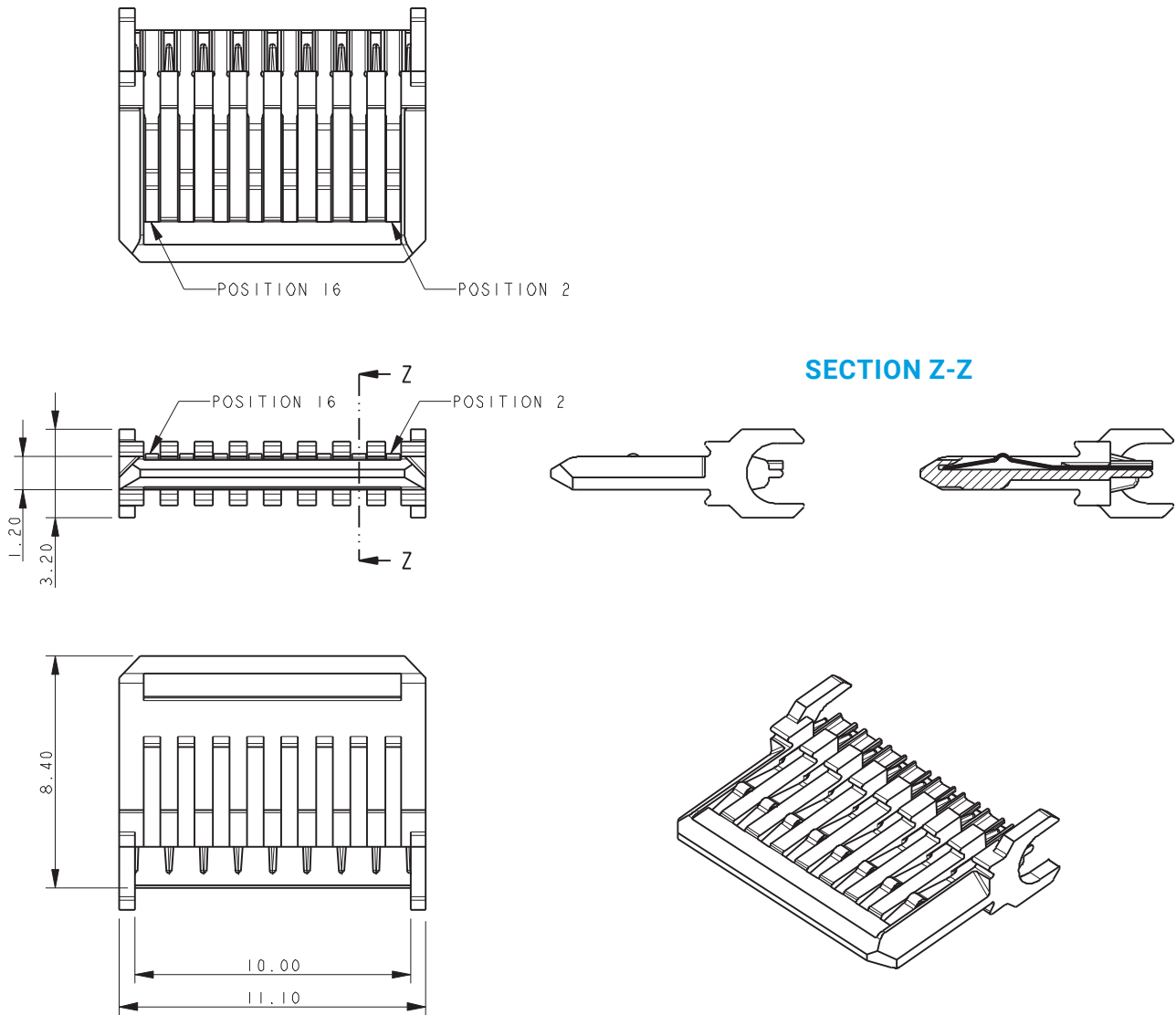
#### Socket Options – Example

<b>20</b>	<b>9257</b>	<b>016</b>	<b>001</b>	<b>01</b>	<b>3</b>
Prefix 20 = Socket	Series	No of Ways 016 = 16	Contact 001 = SMT Termination	Solder Bracket 001 = Solder Bracket with Location Pegs	Plating Option 3 = 0.8µm Selective Gold, Tin Tail

# I/O CONNECTORS

## Reduced Size I/O, 16 Position XX-9257

### 9157 SOCKET WITH COAX



### 50 PARTS PER TUBE



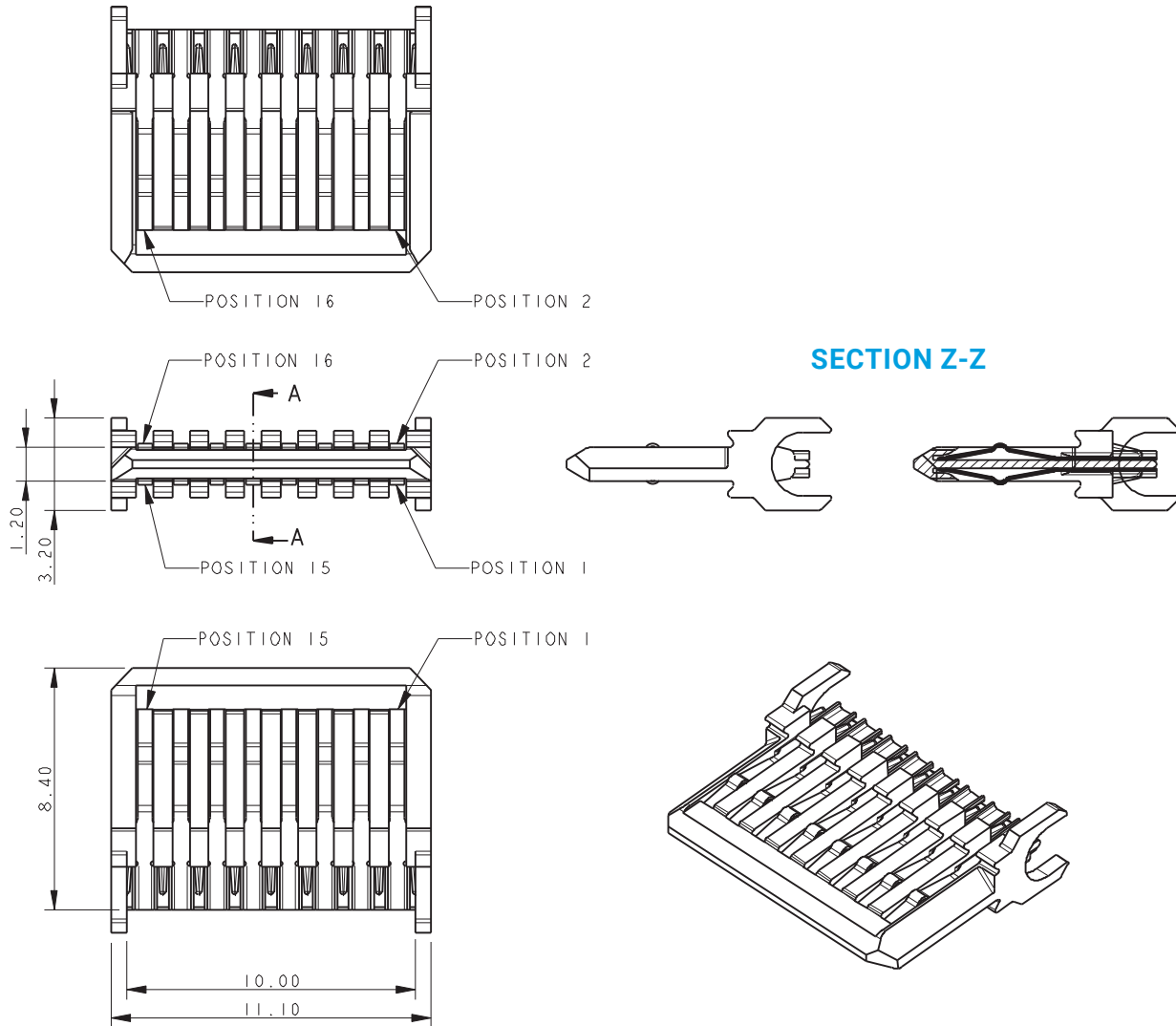
#### NOTES:

1. ALL DIMENSIONS ARE FOR REFERENCE ONLY UNLESS TOLERANCED.
2. FOR FULL PRODUCT SPECIFICATION REFER TO ELCO SPECIFICATION 201-01-089.
3. POSITIONS 2, 4, 6 ... 16 USED, POSITION 1, 3, 5 ... UNUSED.

# I/O CONNECTORS

## Reduced Size I/O, 16 Position XX-9257

### DOUBLE SIDED 16 WAY I/O PLUG CONNECTOR



### 50 PARTS PER TUBE



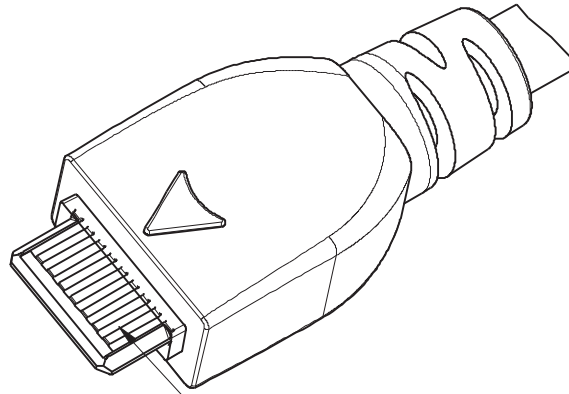
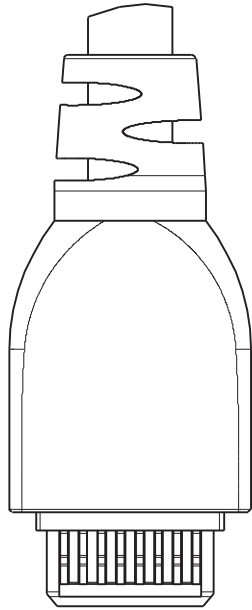
#### NOTES:

1. ALL DIMENSIONS ARE FOR REFERENCE ONLY UNLESS TOLERANCED.
2. FOR FULL PRODUCT SPECIFICATION REFER TO ELCO SPECIFICATION 201-01-089.
3. POSITIONS 2, 4, 6 ... 16 USED, POSITION 1, 3, 5 ... UNUSED.

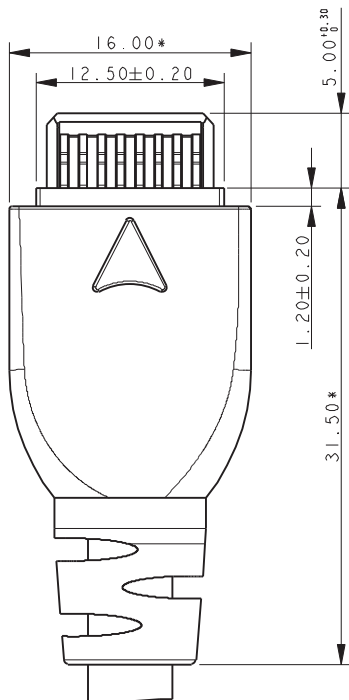
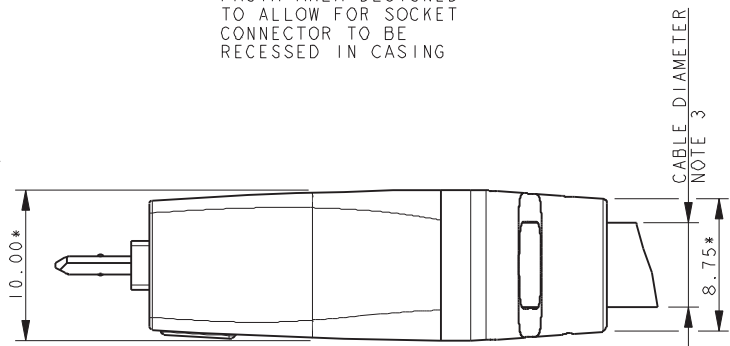
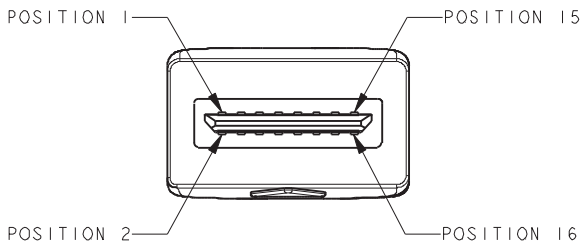
# I/O CONNECTORS

## Reduced Size I/O, 16 Position XX-9257

### SUGGESTED OVERMOULDING FOR PLUG CONNECTOR (16 WAY – STANDARD STYLE)



FACIA AREA DESIGNED TO ALLOW FOR SOCKET CONNECTOR TO BE RECESSED IN CASING



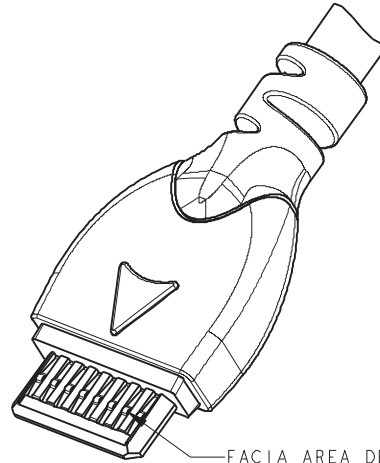
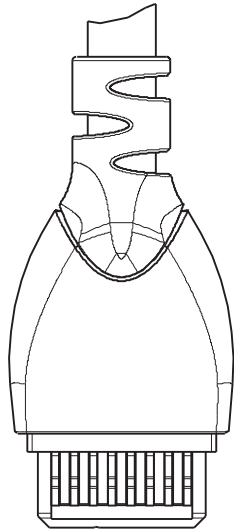
**NOTES:**

1. STANDARD STRAIN RELIEF MOULDING.
2. DIMENSION MARKED WITH A \* ARE VARIABLE DIMENSION TO SUIT CUSTOMER DESIGN AND APPLICATION.
3. TYPICALLY FOR CABLE OUTER JACKET DIAMETERS ABOVE 4.50MM.

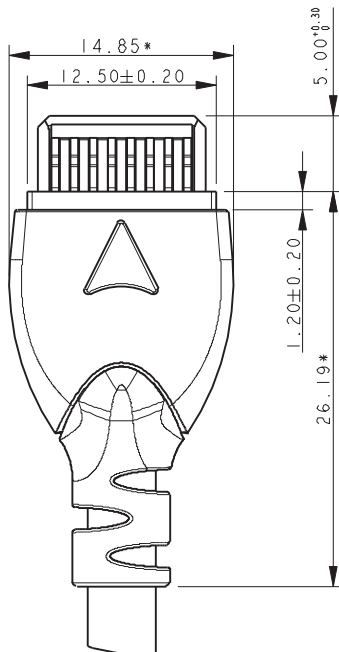
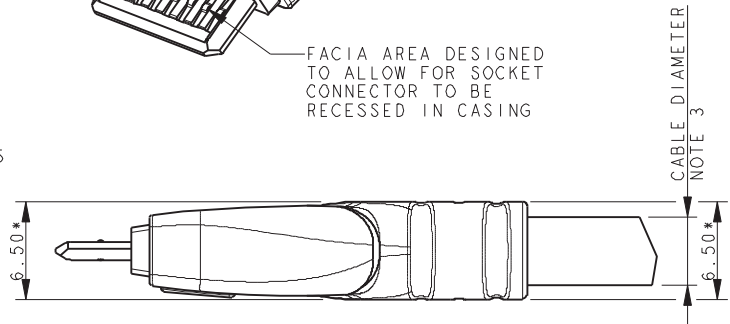
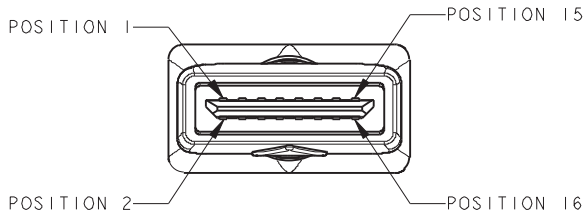
# I/O CONNECTORS

## Reduced Size I/O, 16 Position XX-9257

### SUGGESTED OVERMOULDING FOR PLUG CONNECTOR (16 WAY - SLIM STYLE)



FACIA AREA DESIGNED TO ALLOW FOR SOCKET CONNECTOR TO BE RECESSED IN CASING



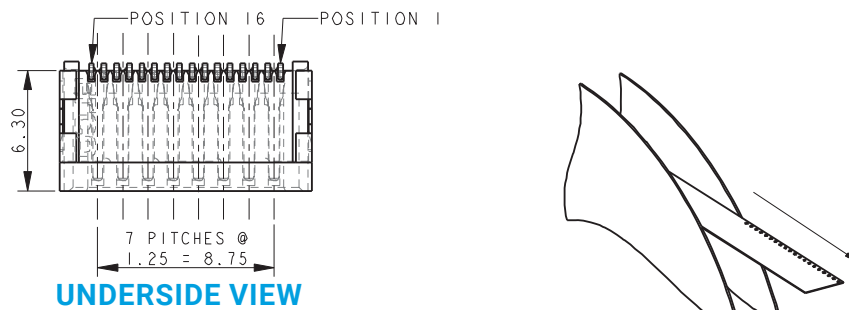
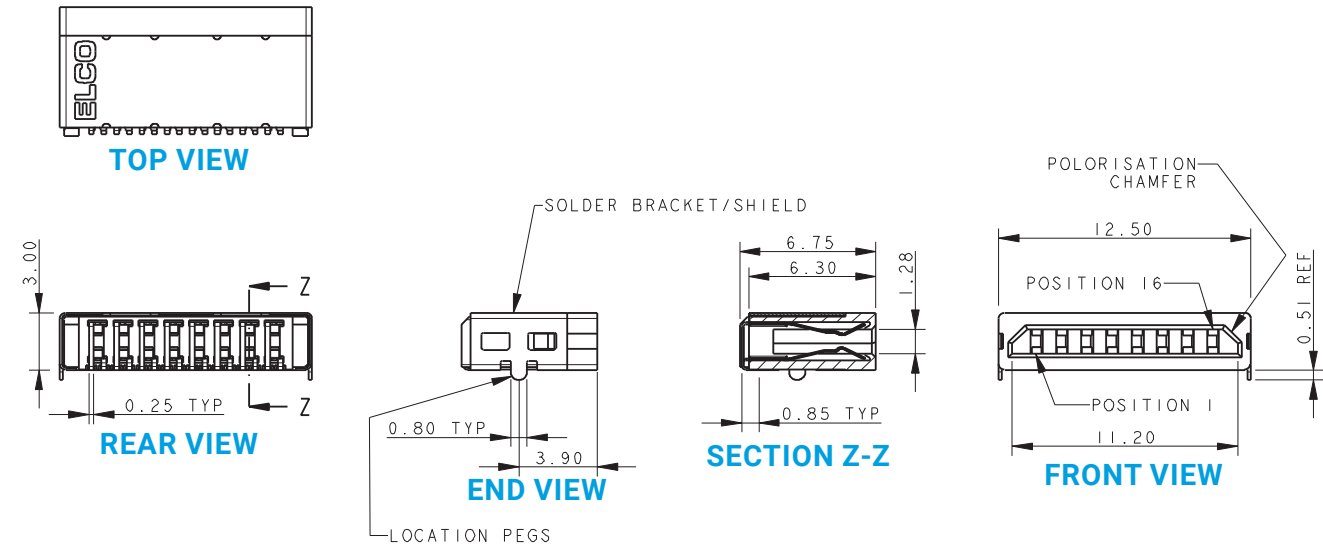
**NOTES:**

1. STANDARD STRAIN RELIEF MOULDING.
2. DIMENSION MARKED WITH A \* ARE VARIABLE DIMENSION TO SUIT CUSTOMER DESIGN AND APPLICATION.
3. TYPICALLY FOR CABLE OUTER JACKET DIAMETERS ABOVE 4.50MM.

# I/O CONNECTORS

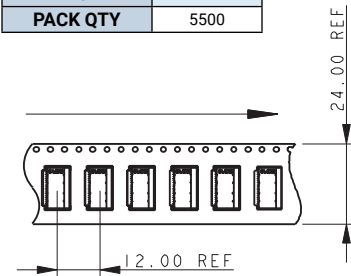
## Reduced Size I/O, 16 Position XX-9257

### 16 WAY SOCKET CONNECTOR

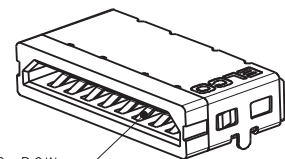
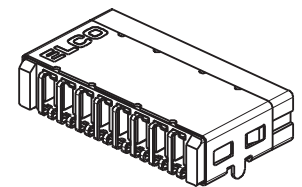
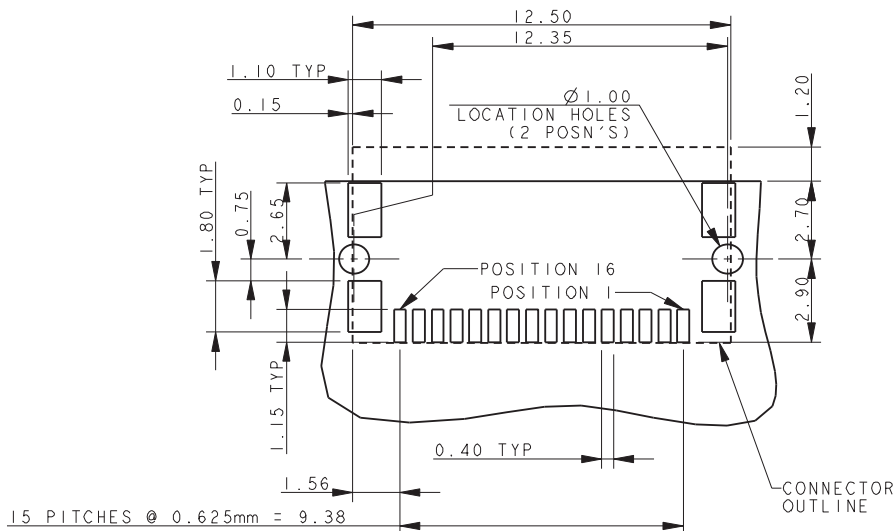


### PACKING DETAILS

REEL QTY	1100
LEADER	33 PKTS
TRAILER	33 PKTS
REELS/BOX	5
PACK QTY	5500



### PCB LAYOUT



ODD NUMBERED CONTACTS LOWER ROW  
EVEN NUMBERED CONTACTS UPPER ROW

#### NOTES:

1. PROPOSAL FOR 16 WAY I/O SOCKET.
2. FOR FULL PRODUCT SPECIFICATION REFER TO ELECO SPEC 201-01-089.
3. GENERAL TOLERANCE  $\pm 0.20\text{MM}$  UNLESS OTHERWISE STATED.
4. SMT FEET WITHIN  $\pm 0.10\text{MM}$  COPLANARITY.