

4

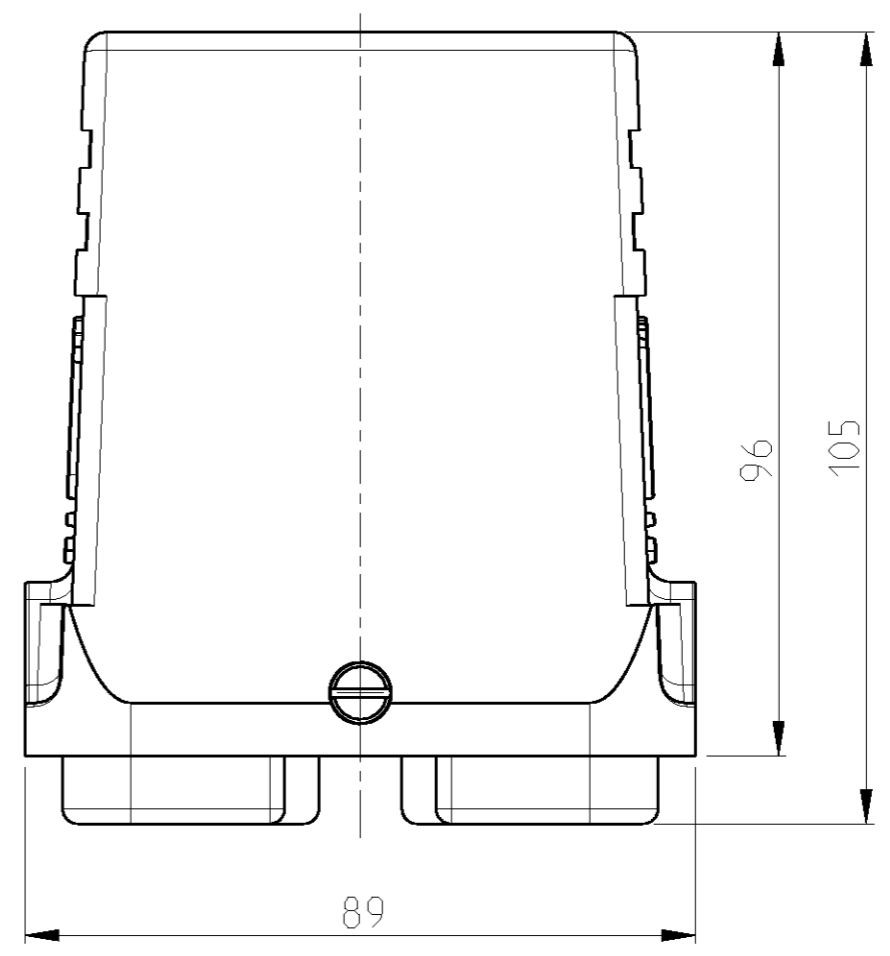
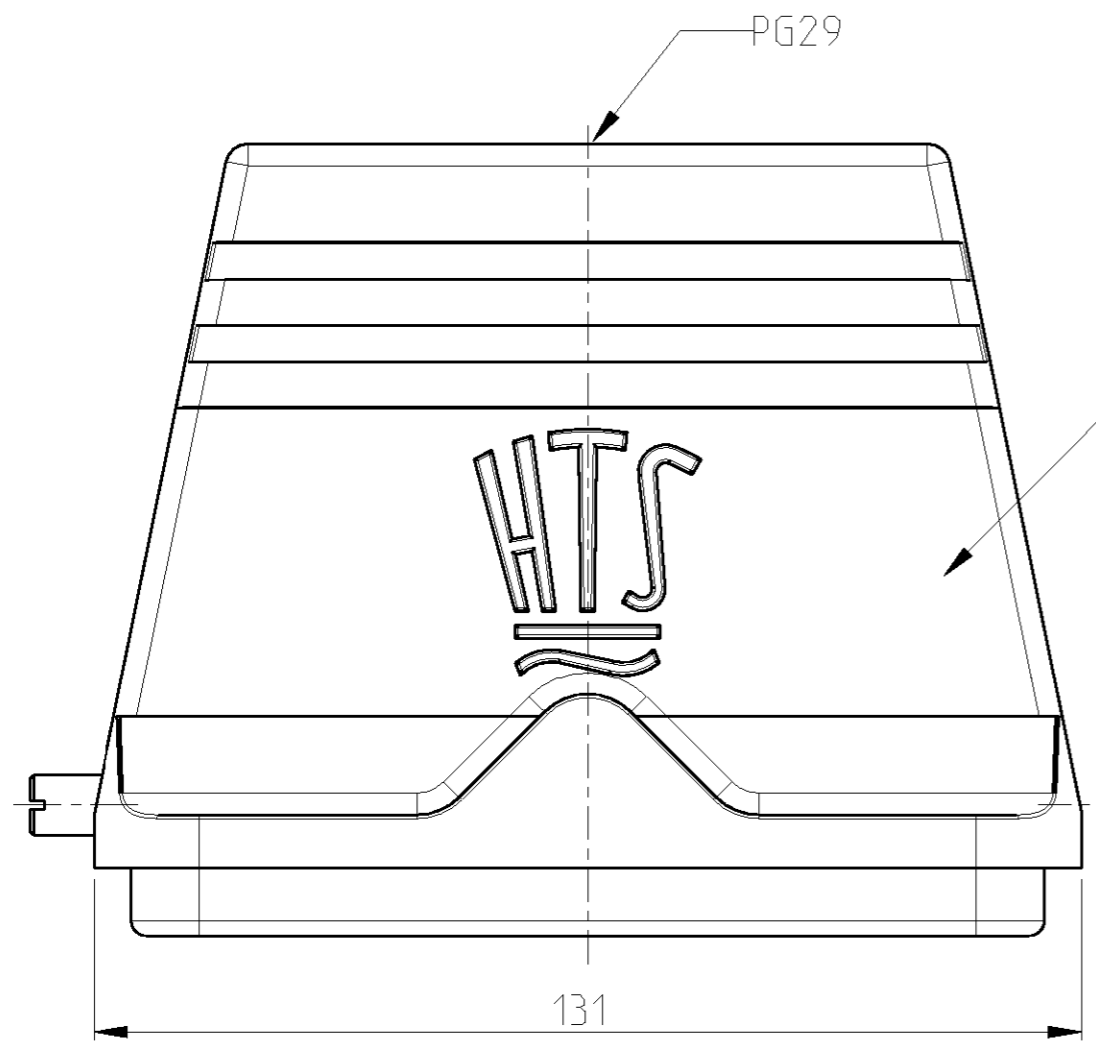
3

2

1

THIS DRAWING IS UNPUBLISHED. RELEASED FOR PUBLICATION 2006
 © COPYRIGHT 2006 BY TYCO ELECTRONICS CORPORATION. ALL RIGHTS RESERVED.

LOC	DIST	REVISIONS				
P	LTR	DESCRIPTION	DATE	DWN	APVD	
A1	-	A3	NEW PRO/E DRAWING ECR-07-019748	20AUG2007	SR	ST



2-7	1-7	DESCRIPTION	MATERIAL	SURFACE	COLOR	ITEM
2		CLIP BOLT	STAINLESS STEEL	BLANC		4
	2	CLIP BOLT	STEEL	ZINC PLATED	BLUE	3
1		HOOD HB	ALUMINIUM/ALU	ALUMINIUM OXID	BLACK	2
	1	HOOD HB	ALUMINIUM/ALU		GREY	1

HB.48.STO-GR.1.29.G
 HB-K.48.STO-GR.1.29.G

NOTES

- 1 PART SHALL BE FREE AND CLEAN OF BURRS AND OTHER FOREIGN MATERIAL
- 2 PACKAGING: QUANTITY 3 PIECES
- 3 VARNISHING INSIDE HOUSING NOT REQUIRED

<small>THIS DRAWING IS A CONTROLLED DOCUMENT FOR TYCO ELECTRONICS CORPORATION IT IS SUBJECT TO CHANGE AND THE CONTROLLING ENGINEERING ORGANIZATION SHOULD BE CONTACTED FOR THE LATEST REVISION.</small>		DWN R.SCHNEIDER 17AUG2007 CHK SCHNURPFEIL 17AUG2007 APVD - PRODUCT SPEC - APPLICATION SPEC - WEIGHT -	tyco Electronics tyco Electronics AMP GmbH 53819 Neunkirchen (Germany)
DIMENSIONS: mm 	TOLERANCES UNLESS OTHERWISE SPECIFIED: 0 PLC ± 1 PLC ± 2 PLC ± 3 PLC ± 4 PLC ± ANGLES ±1°	NAME HOOD ASSY HB.48.STO-GR.1.29.G	RESTRICTED TO -
MATERIAL -	FINISH -	SIZE A3 CAGE CODE 00779 DRAWING NO C=1102382	SCALE 1:1 SHEET 1 OF 1 REV A3
		CUSTOMER DRAWING	