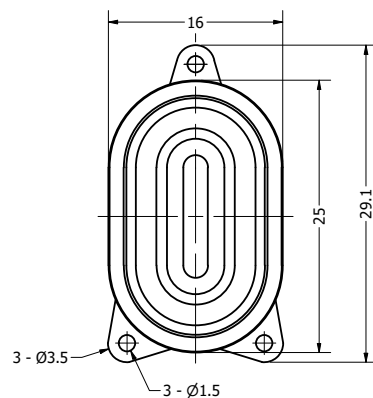
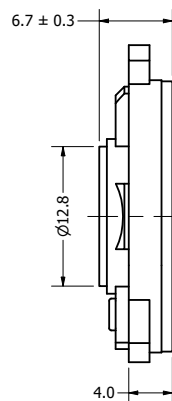


Part Number: SW250508-1	DRAWN CJ	4/14/2017
	CHECKED P.D.	10/2/2017
	APPROVED C.E.	10/2/2017
Description: Waterproof Dynamic Speaker		
This document contains data proprietary to DB Unlimited. Any use or reproduction, in any form, without prior written permission of DB Unlimited is prohibited. All terms and conditions can be found at www.dbunlimitedco.com		

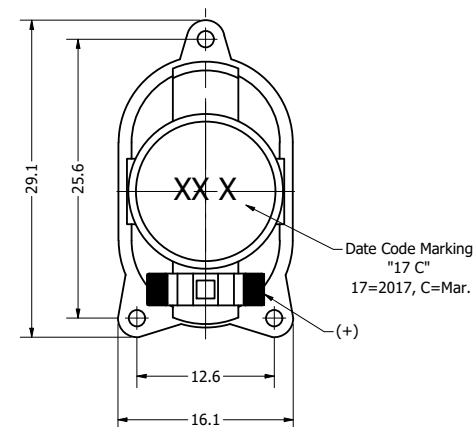
Top View



Side View



Bottom View



Items	Specifications	Conditions	REVISION HISTORY			
			REV	DESCRIPTION	DATE	APPROVED
Sound Pressure Level	87	dB (@ 10cm), Avg.		Released from Engineering	10/2/2017	C.E.
Resonant Frequency	800	Hz		Added polarity marking	10/25/2017	C.E.
Frequency Range	800 ~ 10,000	Hz	1	Updated height tolerance, resonant frequency and range	4/26/2018	C.E.
Nominal Power	1	W	2	Updated resonant frequency and range	4/30/2018	C.E.
Max. Power	1.5	W	3	Updated solder terminal to rectangle	9/11/2019	C.E.
Impedance	8	Ω	4			
Cone Material	Mylar					
Mount Type	Flange Mount					
IP Rating	IP67					
Storage Temperature	-20 ~ +55	°C				
Operating Temperature	-20 ~ +55	°C				
Weight	3.22	g				

- NOTES
- 1) All dimensions are in mm unless otherwise noted
 - 2) All tolerances are ± 0.2 mm unless otherwise noted
 - 3) All parts meet RoHS
 - 4) Subject to change or redrawn without notice