

SAW Filter 815.50MHz

Model: TA0430A

Part No: MA07956

REV. NO.: 1

A. MAXIMUM RATING:

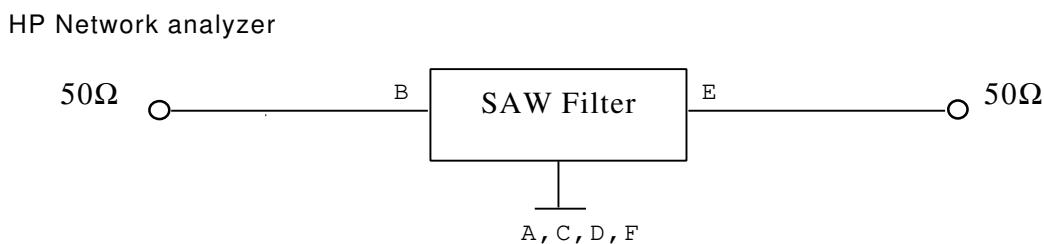
1. Input Power Level: 7dBm
2. DC voltage: 3V
3. Operating Temperature: -30°C to +70°C
4. Storage Temperature: -40°C to +85°C

B. ELECTRICAL CHARACTERISTICS:

Item	Min.	Typ.	Max.
Center frequency Fc (MHz)	-	815.5	-
Insertion loss (806~825 MHz) IL (dB)	-	2.6	3.5
Group delay ripple (806~825 MHz) (nS)	-	18	50
Attenuation (Reference level from 0 dB)			
851 ~ 866 MHz (dB)	40	46	-
935 ~ 940 MHz (dB)	35	68	-
960.65 ~ 979.65 MHz (dB)	35	65	-
1115.3 ~ 1134.3 MHz (dB)	37	64	-
1269.95 ~ 1288.95 MHz (dB)	40	62	-
1612 ~ 1650 MHz (dB)	35	68	-
1650 ~ 2600 MHz (dB)	25	38	-
Input/Output VSWR (806~825 MHz)	-	1.7	2.0
Source impedance Zs (Ω)	-	50	-
Load impedance ZL (Ω)	-	50	-

Note1. The standard definitions is in JIS C 6703

C. MEASUREMENT CIRCUIT:



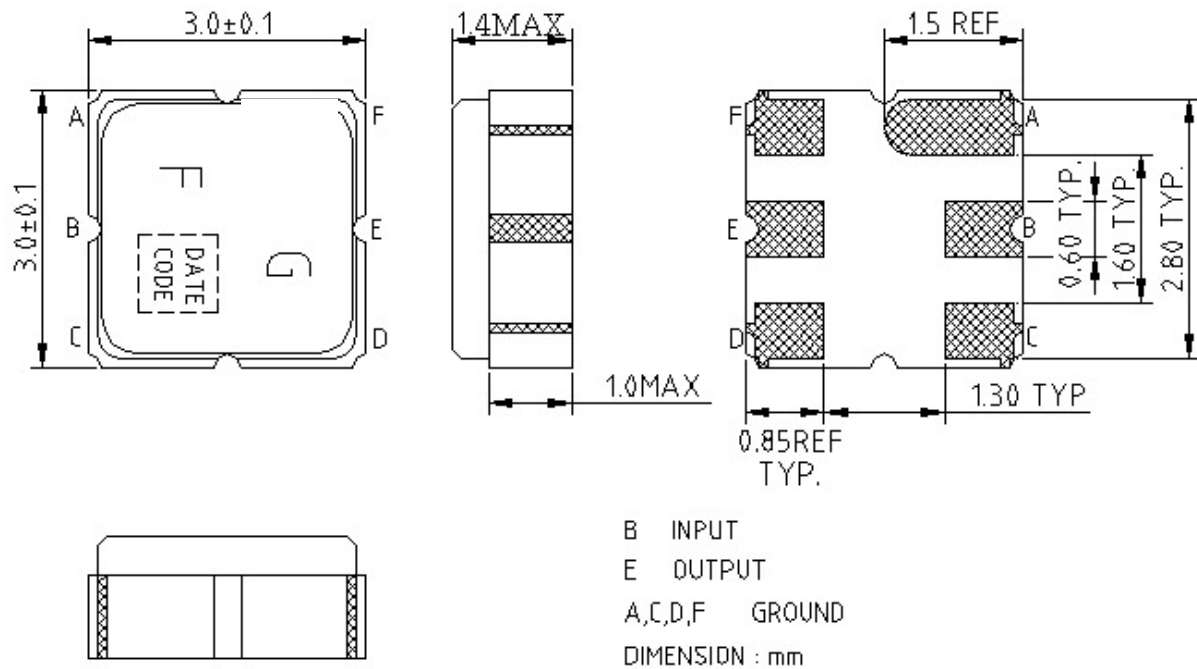
SAW Filter 815.50MHz

Model: TA0430A

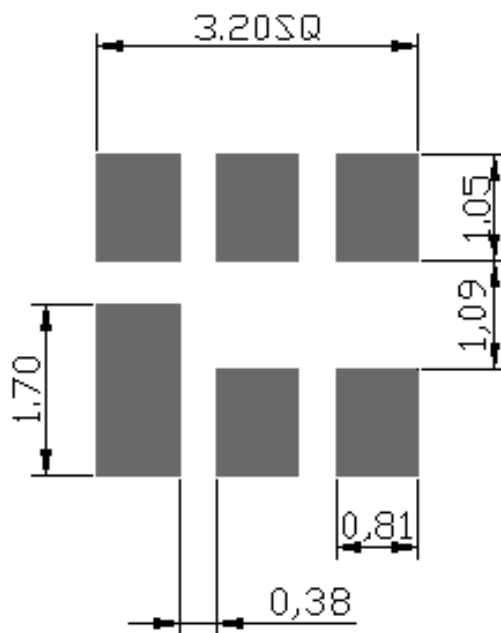
Part No: **MA07956**

REV. NO.: 1

D. OUTLINE DRAWING:



E. PCB FOOTPRINT:



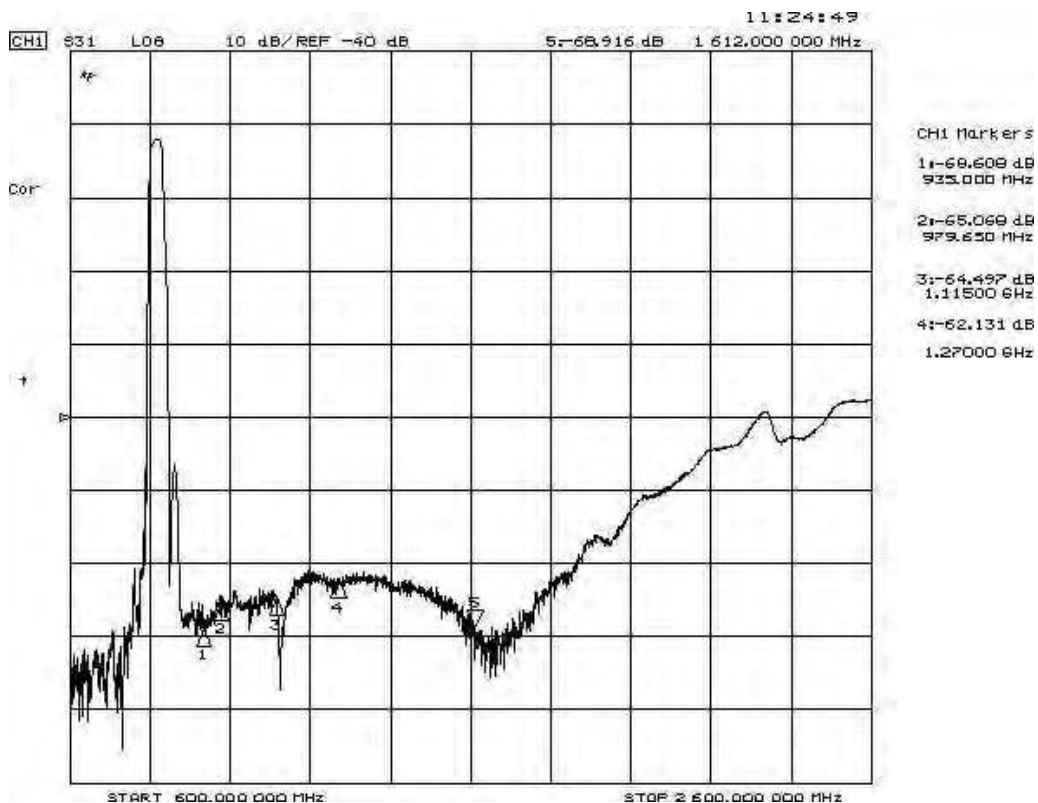
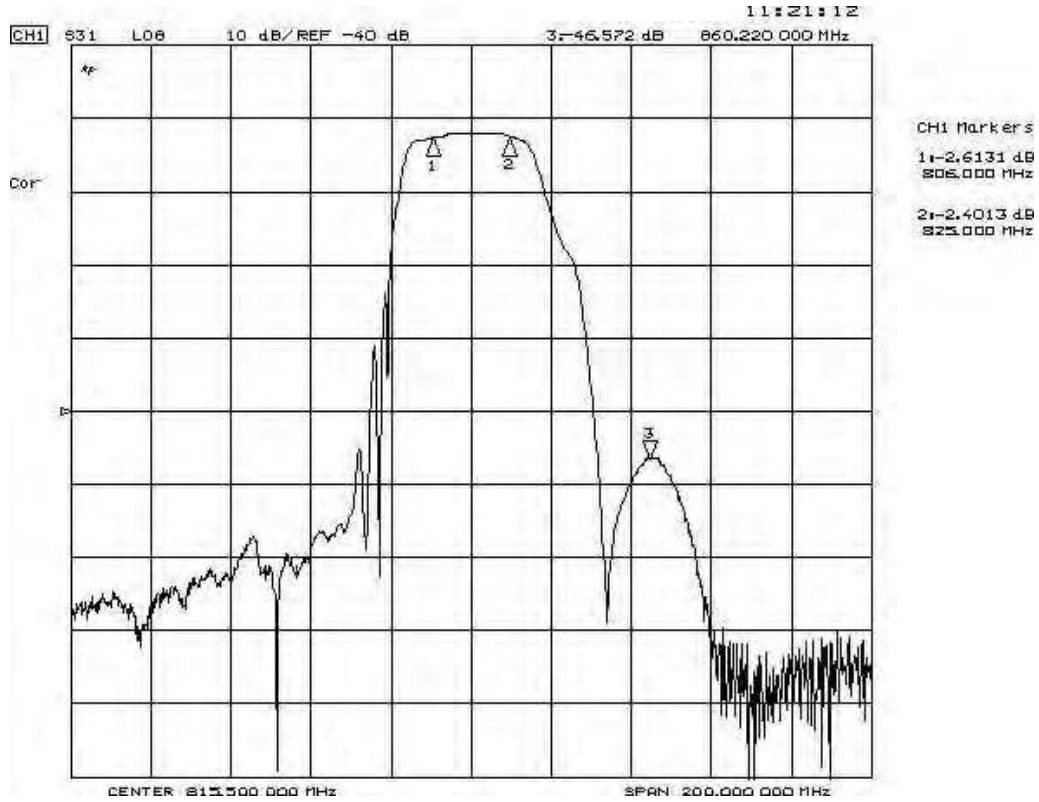
SAW Filter 815.50MHz

Model: TA0430A

Part No: MA07956

REV. NO.: 1

F. FREQUENCY CHARACTERISTICS:
Transfer function



SAW Filter 815.50MHz

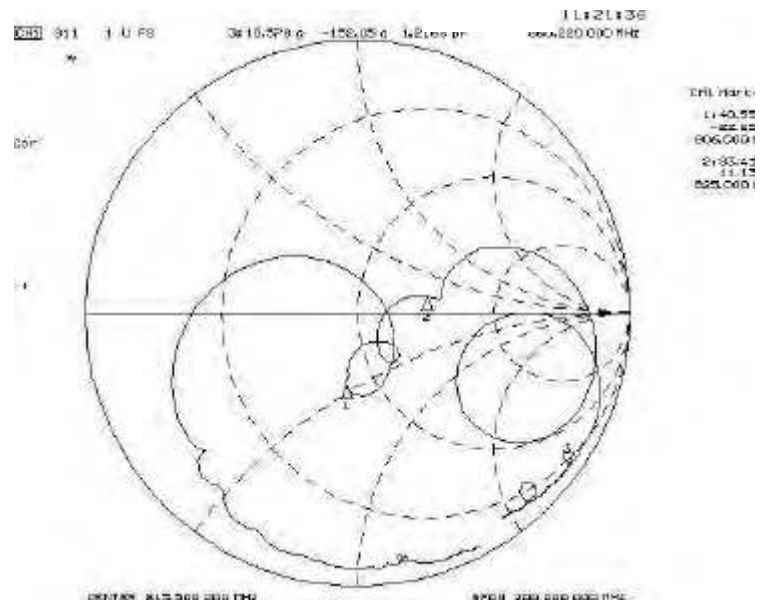
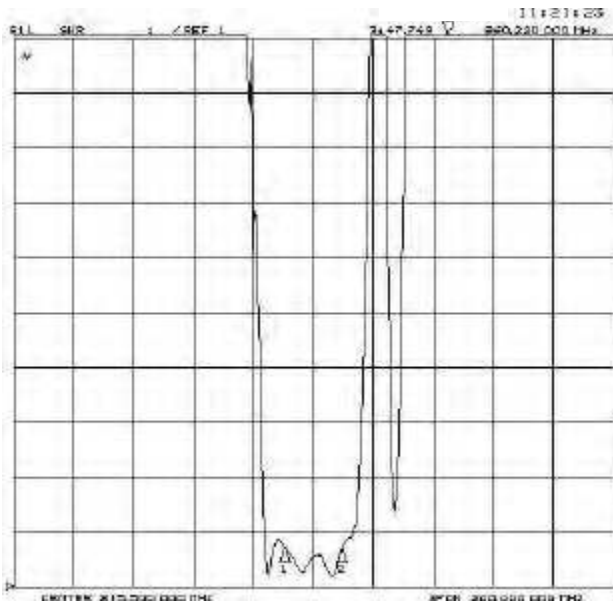
Model: TA0430A

Part No: MA07956

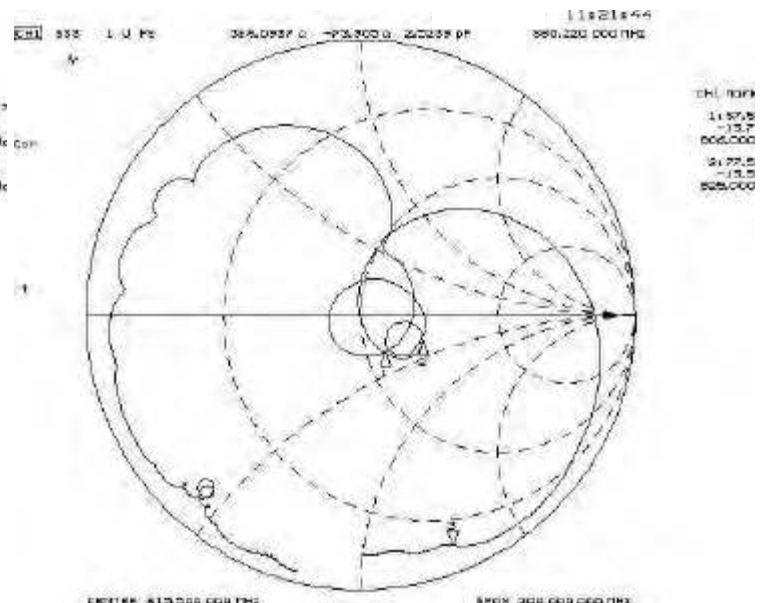
REV. NO.: 1

Reflection Functions :

S11



S22



SAW Filter 815.50MHz

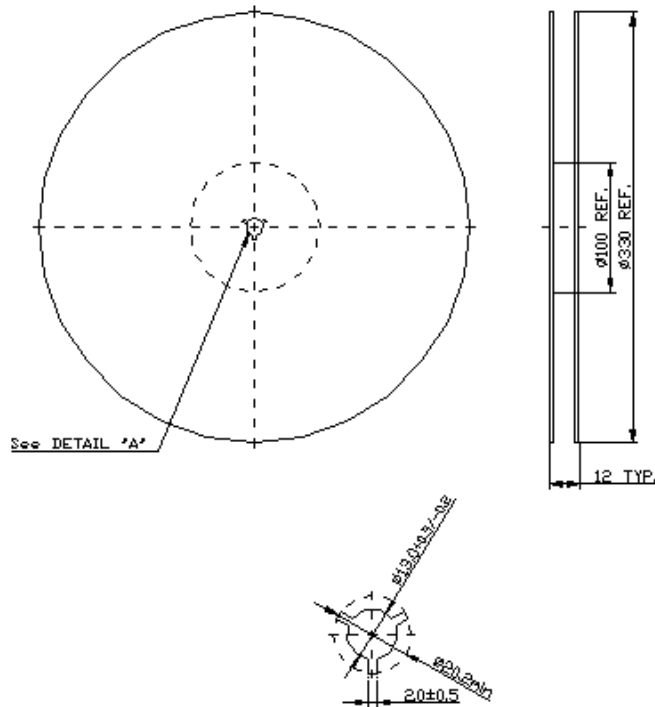
Model: TA0430A

Part No: MA07956

REV. NO.: 1

G. PACKING:

1. REEL DIMENSION



2. TAPE DIMENSION

