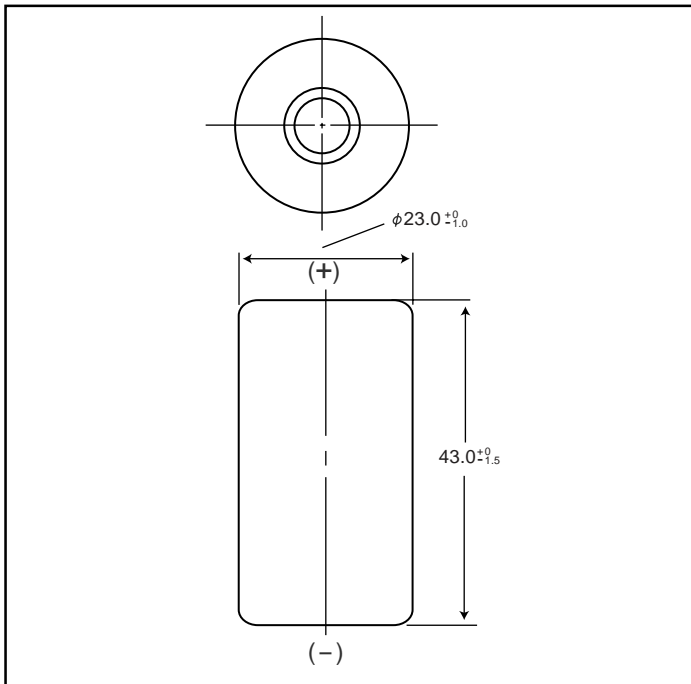


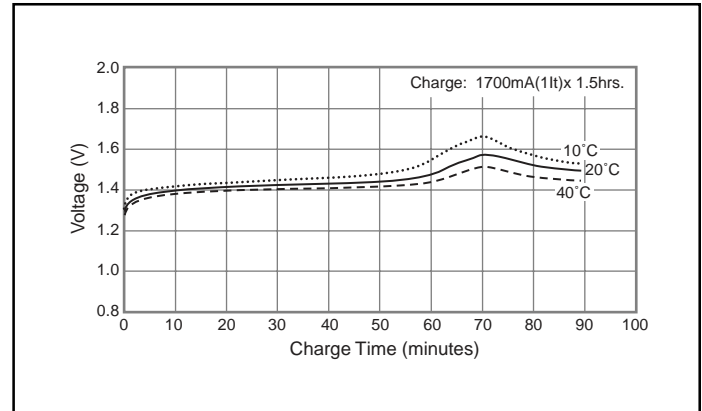
NICKEL CADMIUM BATTERIES: INDIVIDUAL DATA SHEET

P-170SCS SC size (KR23/43) Type: P

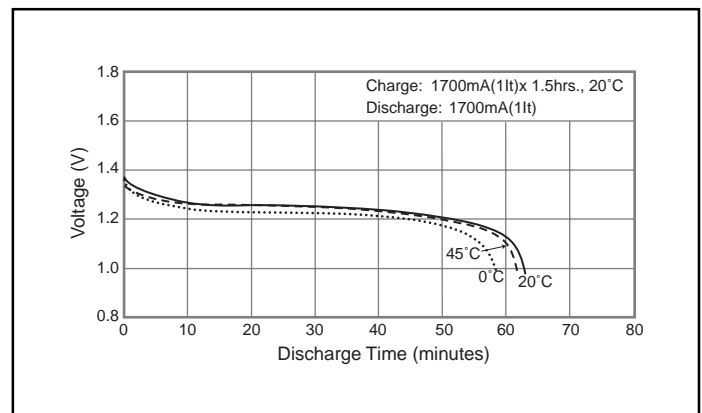
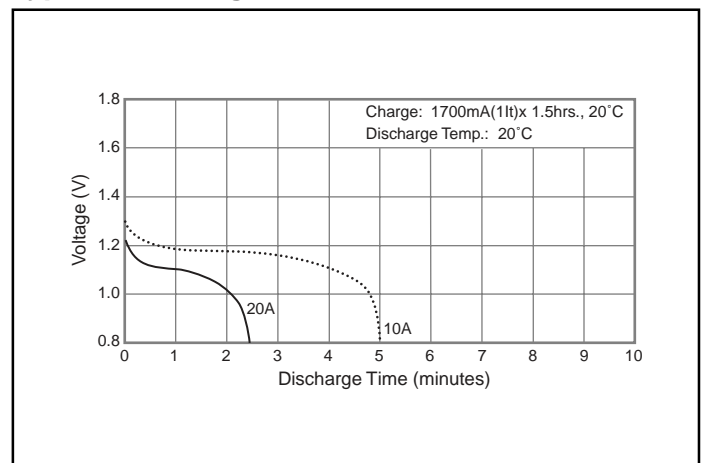
Dimensions (with tube) (mm)



Typical Charge Characteristics



Typical Discharge Characteristics



Specifications

	mm	inch
Diameter	23.0 +0/-1.0	0.91 +0/-0.04
Height	43.0 +0/-1.5	1.69 +0/-0.06
Approximate Weight	Grams	Ounces
	48g	1.69

Nominal Voltage		1.2V	
Discharge Capacity*	Average**	1800mAh	
	Rated (Min.)	1700mAh	
Approx. Internal impedance at 1000Hz at charged state		5mΩ	
Charge	Standard	170mA (0.1It) x 16 hrs.	
	Rapid***	1700mA (1It) x 1.5 hrs.	
Ambient Temperature	Charge	Standard	°C: 0°C to 45°C / °F: 32°F to 113°F
		Rapid	°C: 10°C to 40°C / °F: 50°F to 104°F
	Discharge		°C: -20°C to 65°C / °F: -4°F to 149°F
	Storage	< 2 years	°C: -20°C to 35°C / °F: -4°F to 95°F
< 6 months		°C: -20°C to 45°C / °F: -4°F to 113°F	
< 1 month		°C: -20°C to 55°C / °F: -4°F to 131°F	
< 1 week		°C: -20°C to 65°C / °F: -4°F to 149°F	

* 0.2It discharge capacity after charging at 0.1It for 16 hours.

** For reference only.

*** Refer to "Charge Methods for Ni-Cd Batteries"

Battery performance and cycle life are strongly affected by how they are used. In order to maximize battery safety, please consult Panasonic when determining charge / discharge specs, warning label contents and unit design.

Note: [It] was previously expressed as [C]. [It] is an IEC standard expression for the amount of charge or discharge current and is expressed as:

$$It(A) = C_n (Ah)/1h.$$

- [It] is the reference test current in amperes
- [Cn] is the rated capacity of the cell or battery in Ampere-hours.
n = the time base [hours] for which the rated capacity is declared