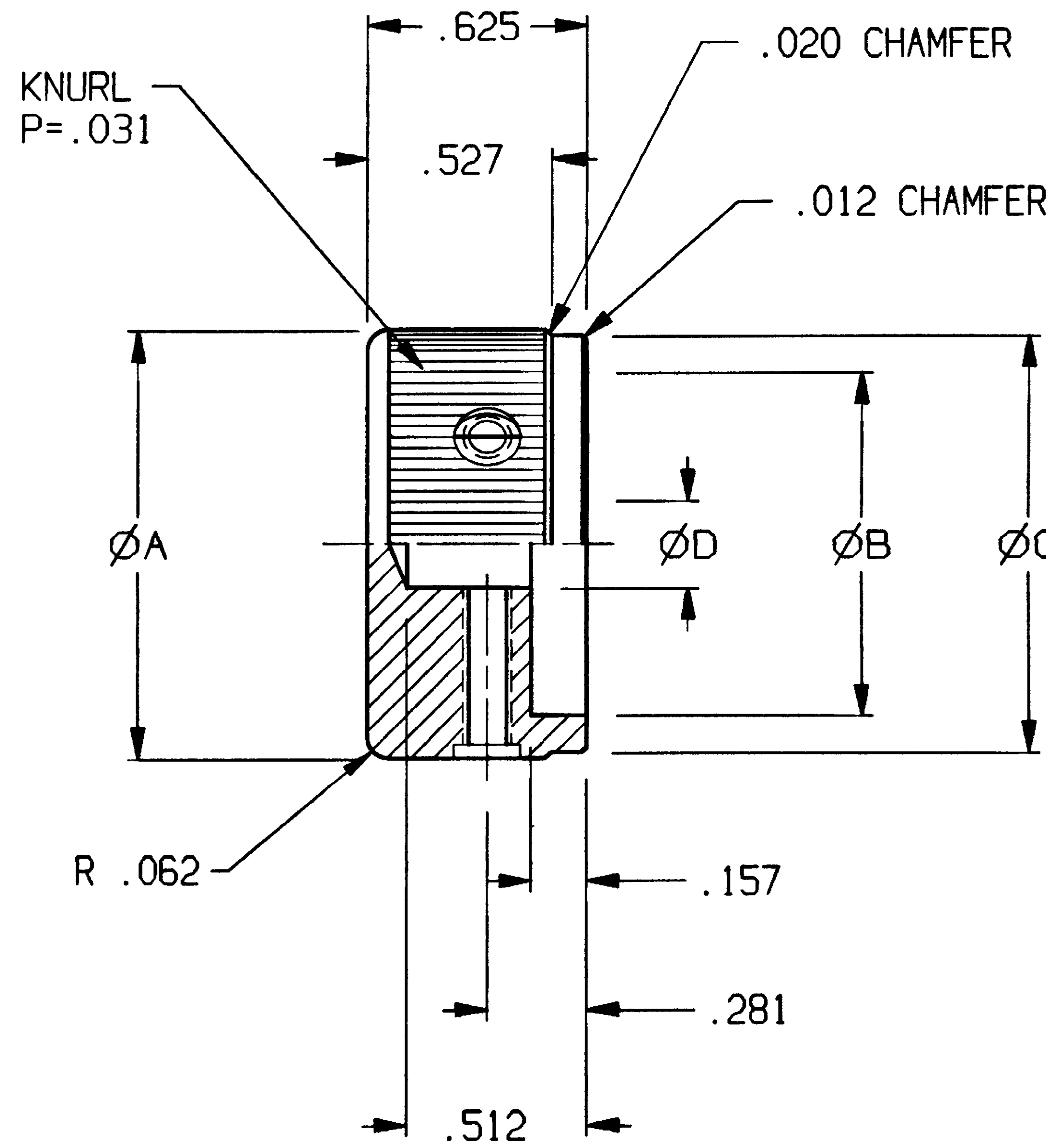
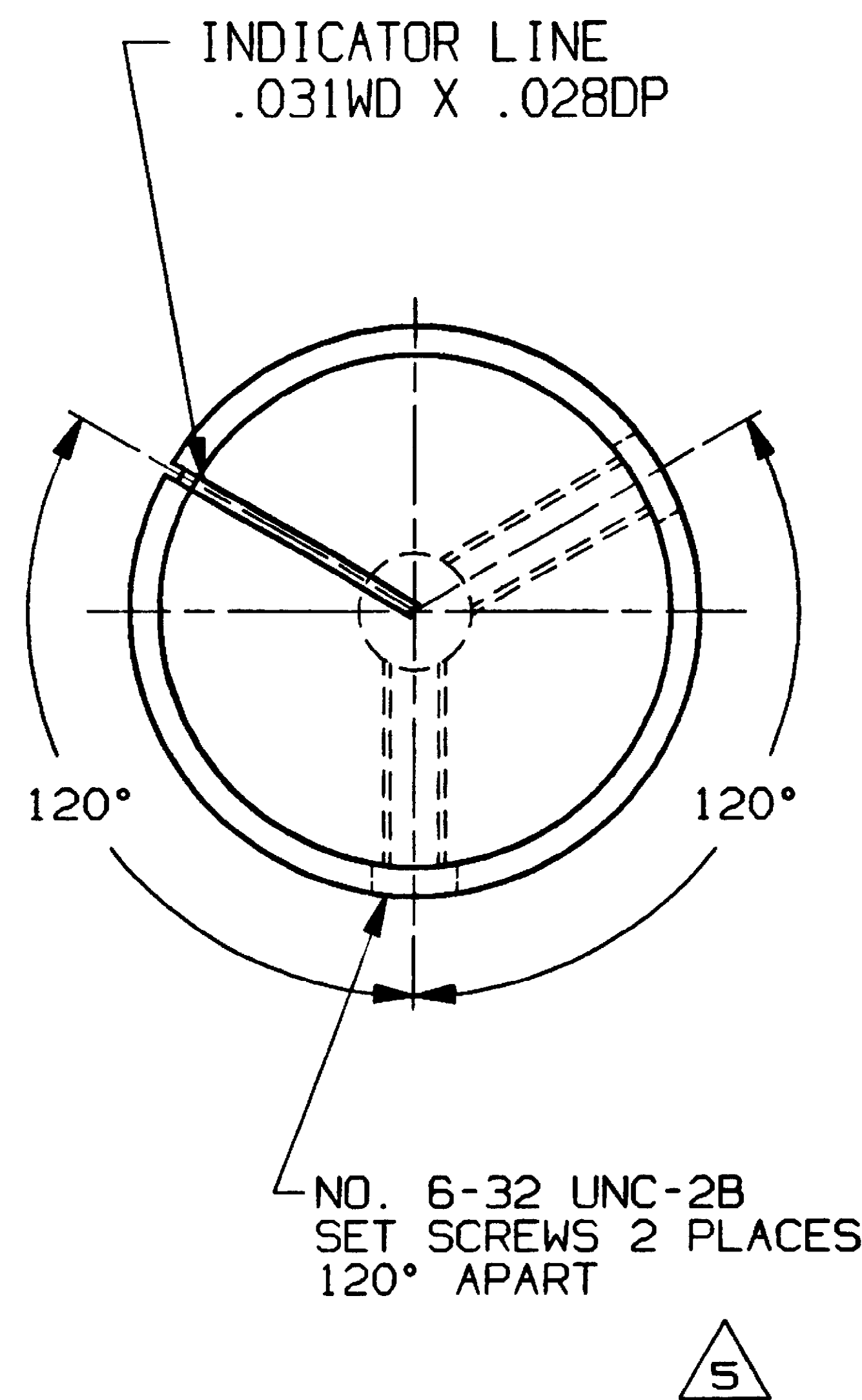


CONVERSION CHART		CONVERSION CHART	
INCH	MM	INCH	MM
.003	0,08	.500	12,70
.004	0,10	.512	13,00
.008	0,20	.527	13,38
.012	0,30	.591	15,00
.020	0,50	.625	15,87
.028	0,70	.685	17,40
.031	0,80	.709	18,00
.062	1,58	.740	18,80
.126	3,20	.882	22,41
.157	4,00	.937	23,81
.158	4,10	.984	25,00
.251	6,38	1.195	30,35
.281	7,14	1.252	31,80
.374	9,50		
.445	11,30		



6 SPECIFICATIONS:

MATERIALS:  
MATERIAL: ALUMINIUM, ANODIZED  
FINISH: SEE TABLE.  
SET SCREW: #6-32 UNC-2A  
STAINLESS STEEL.

6 NOTES:

1. INTERPRET DRAWING PER ASME Y14.5M-1994.

MODEL NO.	A	B	C	D	ANODIZE	INDICATOR LINE	TE PN
KLN500A1/8	.500	.374	.445	.126	CLEAR	BLACK	9-1437621-7
KLN500A1/4	.500	.374	.445	.251	CLEAR	BLACK	9-1437621-6
KLN500B1/8	.500	.374	.445	.126	BLACK	WHITE	9-1437621-9
KLN500B1/4	.500	.374	.445	.251	BLACK	WHITE	9-1437621-8
KLN500S1/8	.500	.374	.445	.126	SMOKE	WHITE	5-1437623-1
KLN500S1/4	.500	.374	.445	.251	SMOKE	WHITE	1437622-1
KLN700A1/4	.740	.591	.685	.251	CLEAR	BLACK	1437622-2
KLN700B1/4	.740	.591	.685	.251	BLACK	WHITE	1437622-3
KLN700B1/8	.740	.591	.685	.126	BLACK	WHITE	1437622-4
KLN700S1/4	.740	.591	.685	.251	SMOKE	WHITE	1437622-5
KLN900A1/4	.937	.709	.882	.251	CLEAR	BLACK	1437622-6
KLN900B1/4	.937	.709	.882	.251	BLACK	WHITE	1437622-7
KLN900S1/4	.937	.709	.882	.251	SMOKE	WHITE	1437622-8
KLN1250A1/4	1.252	.984	1.195	.251	CLEAR	BLACK	9-1437621-4
KLN1250B1/4	1.252	.984	1.195	.251	BLACK	WHITE	9-1437621-5
KLN1250S1/4	1.252	.984	1.195	.251	SMOKE	WHITE	4-1437623-9

OBSOLETE

4

4

4 OBSOLETE

OUTLINE DRAWING				SPECIFICATIONS ARE SUBJECT TO CHANGES WITHOUT NOTICE		THIS IS A C.A.D. GENERATED DRAWING. DO NOT MAKE MANUAL REVISIONS TO MASTER.	
THIRD ANGLE PROJECTION		UNLESS OTHERWISE SPECIFIED DIMENSIONS ARE IN INCHES DO NOT SCALE PRINT		ORIGINAL DATE OF DRAWING: 9/30/91		TE Connectivity	
TOLERANCES (EXCEPT AS NOTED) ANGULAR = ±3° (NON-CUMULATIVE) DECIMAL .XX = ± DECIMAL .XXX = ±.012 DECIMAL .XXXX = ±		FILE NAME: 802510UT	DIRECTORY: H0WR/KNOBS	DRAWN: B.R.	DATE: 9/30/91	TITLE: OUTLINE DRAWING KNOB (KLN SERIES)	
MATERIAL: SEE SPECIFICATIONS		MATERIAL: SEE SPECIFICATIONS		CHECKED: CMM	DATE: 10/10/91	DWG. NO. C-1437622-1	
FINISH: SEE SPECIFICATIONS		FINISH: SEE SPECIFICATIONS		APPROVED: D.S.	DATE: 10/10/91	REV. B	
		CODE IDENT. NO. 91506		DWG. SIZE C		PRODUCT CODE: M11	
		NEXT ASSY:		SCALE:		SHEET 1 OF 1	

P	LTR	REVISION RECORD	DATE	DWN	APVD
	B	REVISED PER ECO-14-000326	13JAN2014	KH	RH