



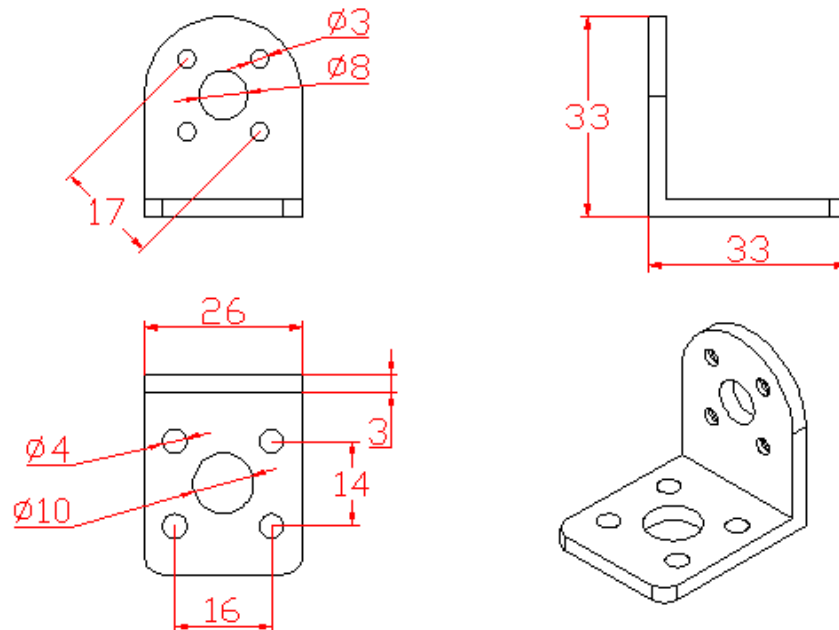
JGA25 Motor Bracket

SKU 114090048

The motor bracket is suitable for JGA25 motors with internal threads on the bracket. You can use the M4 screw to secure it directly to the base plate without the need for a nut.

Features

- Material: aluminum alloy
- Pairing: JGA25 motor



Applications

- Fixed Motor
- Making a Robot

Part List

1 x JGA25-371 Motor Bracket

1 x Screw pack

ECCN/HTS

ECCN	ERA99
HSCODE	7616999000
UPC	

