

Complete Data Sheet available via web, Harris' home page: <http://www.semi.harris.com> or via Harris AnswerFAX, see Section 17

August 1997

12-Bit, Buffered, Multiplying CMOS DAC

Features

- 12-Bit Resolution
- Low Gain T.C. 2ppm/°C (Typ)
- Fast TTL/CMOS Compatible Data Latches
- Single +5V to +15V Supply
- Low Power
- Low Cost
- /883 Processed Versions Available

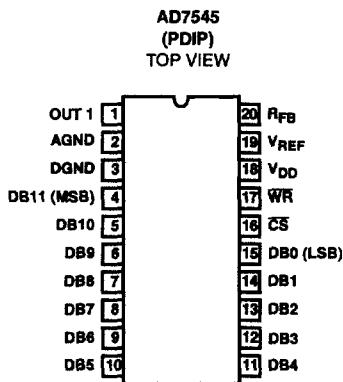
Ordering Information

| PART NUMBER | TEMP. RANGE (°C) | PACKAGE | PKG. NO. |
|-------------|------------------|------------|----------|
| AD7545JN | 0 to 70 | 20 Ld PDIP | E20.3 |
| AD7545KN | 0 to 70 | 20 Ld PDIP | E20.3 |
| AD7545AN | -40 to 85 | 20 Ld PDIP | E20.3 |
| AD7545BN | -40 to 85 | 20 Ld PDIP | E20.3 |

Description

The AD7545 is a low cost monolithic 12-bit, CMOS multiplying DAC with on-board data latches. Data is loaded in a single 12-bit wide word which allows interfacing directly to most 12-bit and 16-bit bus systems. Loading of the input latches is under the control of the CS and WR inputs. A logic low on these control inputs makes the input latches transparent allowing direct unbuffered operation of the DAC.

Pinout



Functional Diagram

