

Electronic housing - EMG 45-LG/SET - 2940032

Please be informed that the data shown in this PDF Document is generated from our Online Catalog. Please find the complete data in the user's documentation. Our General Terms of Use for Downloads are valid (<http://phoenixcontact.com/download>)



Electronic housing set, consisting of electronic module and printed circuit termination blocks, pitch 5

Product Features

- Choice of four cover sizes in transparent or color versions
- Practical and easy-to-wire conductor connections
- Uniform and appropriate housing technology
- High degree of flexibility due to the wide choice of versions
- Space-saving accommodation of electronic components in finely graded module versions available with 10 to 150 mm pitch
- User-friendly and safe mounting on DIN rails according to EN 60715
- Inflammability class V0 insulation material (according to UL 94)
- Shock and contamination-proof accommodation of electronic components
- Universal PCBs for all pitches



Key commercial data

Packing unit	1 pc
GTIN	 4 017918 079819
Weight per Piece (excluding packing)	74.4 GRM
Custom tariff number	85369010
Country of origin	Germany

Technical data

General

Housing type	Component housing
Housing material	Polycarbonate fiber reinforced
Color	green

Electronic housing - EMG 45-LG/SET - 2940032

Technical data

Ambient conditions

Ambient temperature (operation)	-40 °C ... 125 °C
---------------------------------	-------------------

Dimensions

Length	75 mm
Constructional height	47.5 mm
Width	45 mm
Pitch	5.08 mm

Technical data

Inflammability class according to UL 94	V0
Power dissipation at 20°C in the horizontal mounting position	2 W 2.4 W 7.5 mm
	2.5 W 2.9 W 15 mm
	3.5 W 4.4 W 35 mm
	4.6 W 5.7 W 52 mm
Number of positions	16

Articles in set

PCB terminal block - MKDS 3/ 3-5,08 - 1711738



PCB terminal block, Nominal current: 24 A, Nom. voltage: 400 V, Pitch: 5.08 mm, Number of positions: 3, Connection method: Screw connection, Mounting: Soldering, Conductor/PCB connection direction: 0 °, Color: green, The article can be aligned to create different nos. of positions!

Electronic housing - EMG 45-LG - 2946191



Electronic housing, for PCB insertion, without screw connection terminal blocks and cover

PCB terminal block base - MKDS 3/ 2-5,08 - 1711725



PCB terminal block, Nominal current: 24 A, Nom. voltage: 400 V, Pitch: 5.08 mm, Number of positions: 2, Connection method: Screw connection, Mounting: Soldering, Conductor/PCB connection direction: 0 °, Color: green, The article can be aligned to create different nos. of positions!

Electronic housing - EMG 45-LG/SET - 2940032

Articles in set

PCB terminal block - MKDS 3/ 4-5,08 - 1712805



PCB terminal block, Nominal current: 24 A, Nom. voltage: 400 V, Pitch: 5.08 mm, Number of positions: 4, Connection method: Screw connection, Mounting: Soldering, Conductor/PCB connection direction: 0 °, Color: green, The article can be aligned to create different nos. of positions!

Classifications

eCl@ss

eCl@ss 4.0	27180401
eCl@ss 4.1	27180401
eCl@ss 5.0	27180506
eCl@ss 5.1	27180506
eCl@ss 6.0	27180802
eCl@ss 7.0	27182702
eCl@ss 8.0	27182702

ETIM

ETIM 2.0	EC001031
ETIM 3.0	EC001031
ETIM 4.0	EC001031
ETIM 5.0	EC000886

UNSPSC

UNSPSC 6.01	31261501
UNSPSC 7.0901	31261501
UNSPSC 11	31261501
UNSPSC 12.01	31261501
UNSPSC 13.2	31261501

Approvals

Approvals

Approvals

GOST

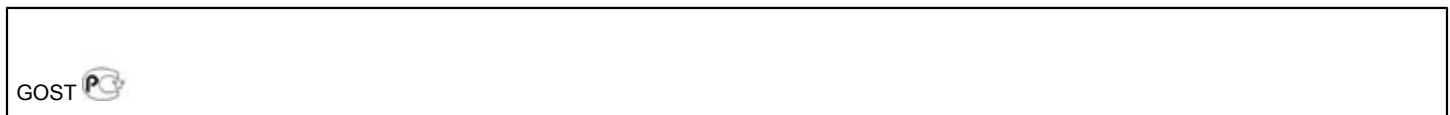
Electronic housing - EMG 45-LG/SET - 2940032

Approvals

Ex Approvals

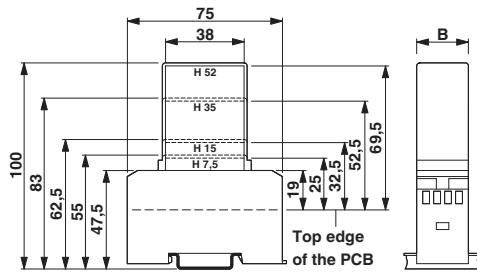
Approvals submitted

Approval details



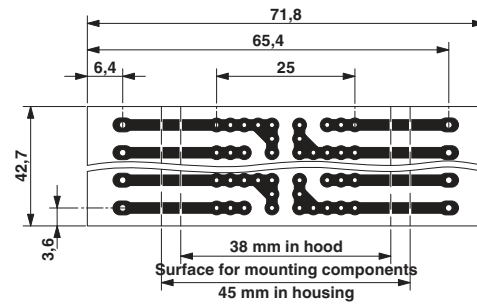
Drawings

Dimensioned drawing



1 = Top edge of the PCB
B = Housing width

Dimensioned drawing



Pitch 5.08 mm
a = Area for mounting components, 38 mm in the hood
b = Area for mounting components, 45 mm in the housing