



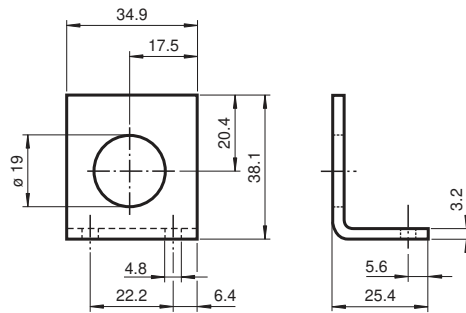
## Mounting bracket

### AB-18

- Retainer for all cylindrical sensors with M18 thread

Mounting aid

## Dimensions



## Technical Data

### General specifications

Inside diameter 18 mm

### Mechanical specifications

Material Stainless steel

Dimensions 38.1 mm x 34.9 mm x 25.4 mm

Release date: 2022-06-28 Date of issue: 2022-06-28 Filename: 090012\_eng.pdf

Refer to "General Notes Relating to Pepperl+Fuchs Product Information".

Pepperl+Fuchs Group  
www.pepperl-fuchs.com

USA: +1 330 486 0001  
fa-info@us.pepperl-fuchs.com

Germany: +49 621 776 1111  
fa-info@de.pepperl-fuchs.com

Singapore: +65 6779 9091  
fa-info@sg.pepperl-fuchs.com

**PF** PEPPERL+FUCHS

## Mounting

Using the mounting aid cylindrical sensors are fast and easy to fit. Use the nuts included with the sensor for attachment.



Sensor fitted inside the mounting aid