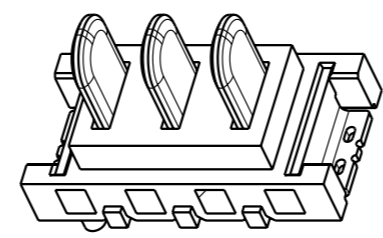
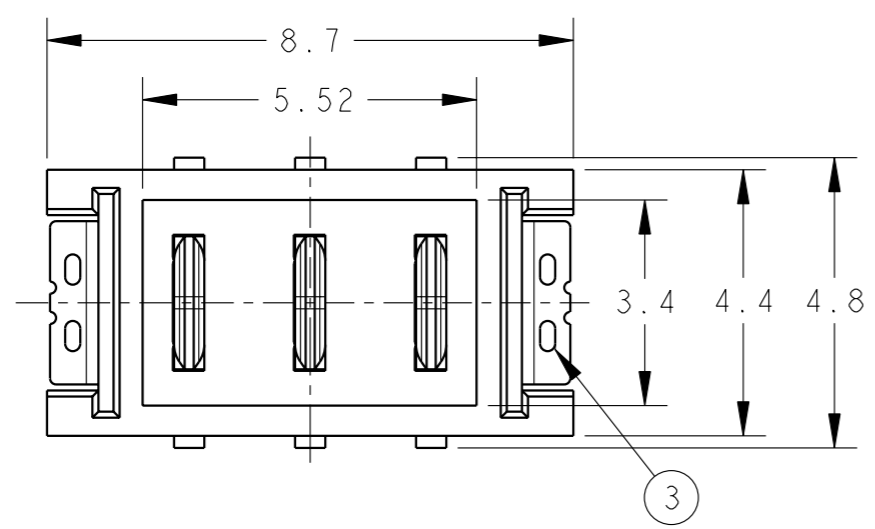
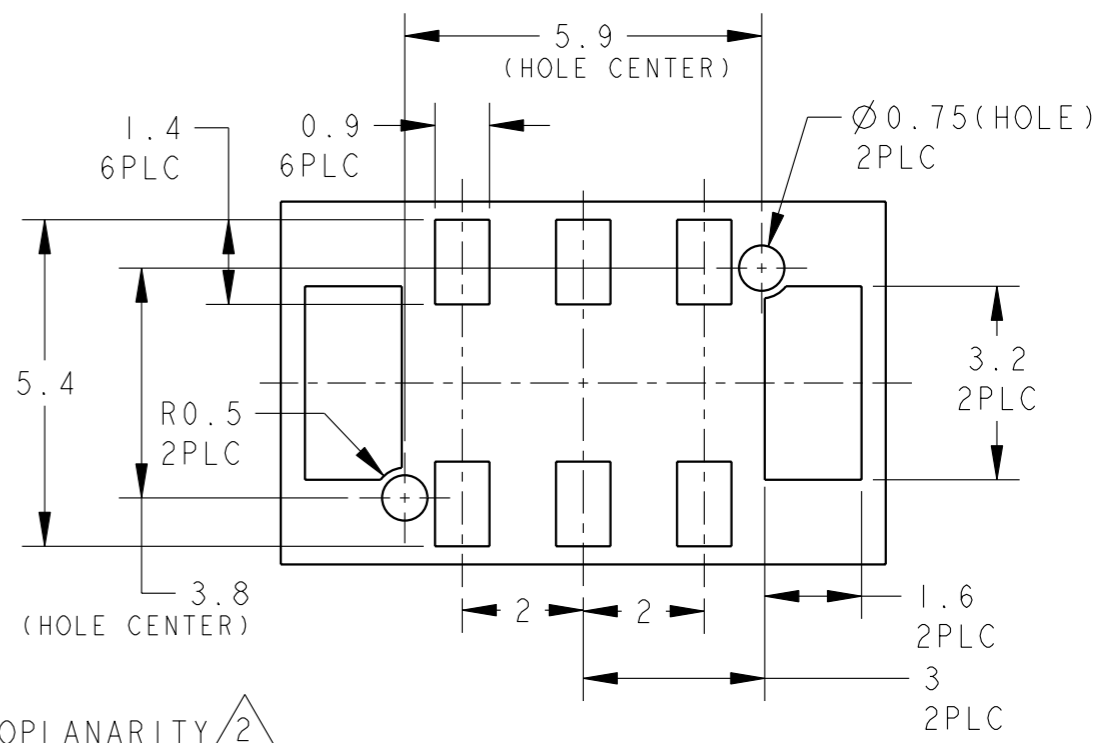
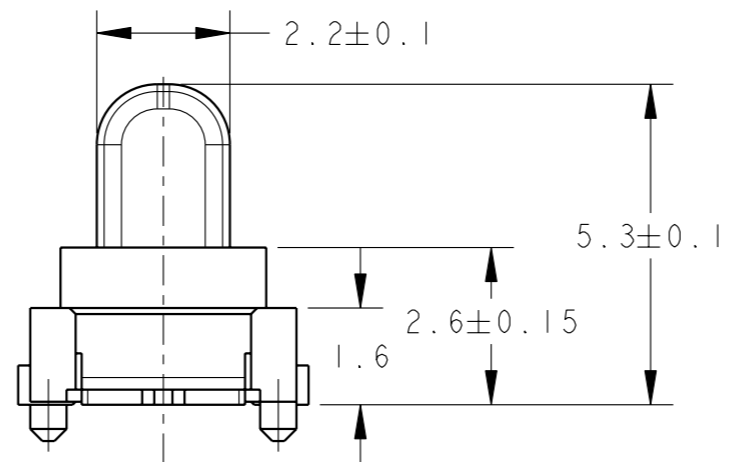
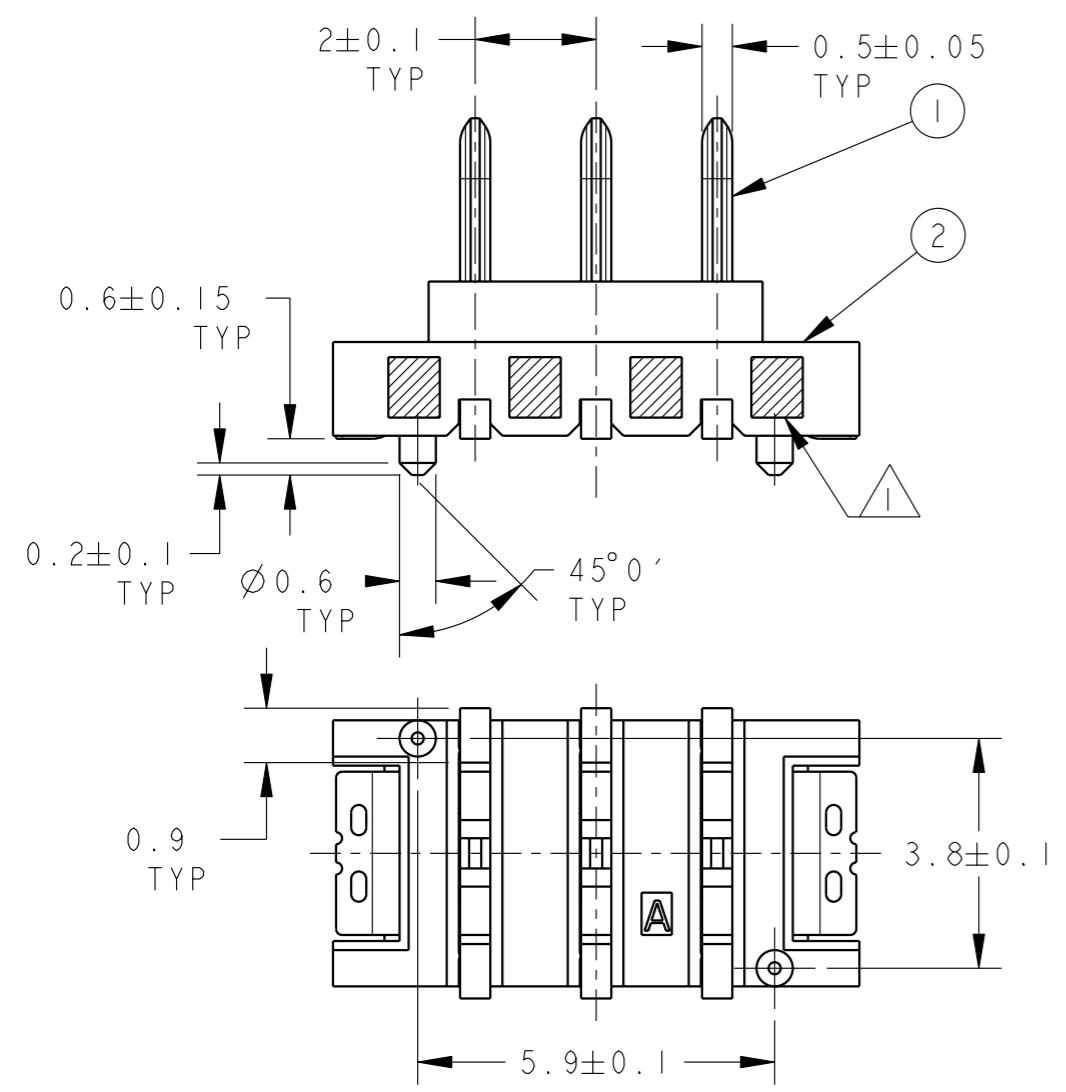


THIS DRAWING IS UNPUBLISHED. RELEASED FOR PUBLICATION 2004
 © COPYRIGHT 2004 BY Tyco Electronics Japan G.K. ALL RIGHTS RESERVED.

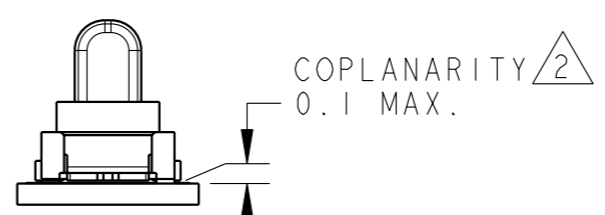
LOC	DIST	REVISIONS					
		P	LTR	DESCRIPTION	DATE	DWN	APVD
J	-		A	RELEASED	09MAY2012	C.O	T.K



COMPONENT ITEM	QTY	MATERIAL	FINISH
Battery Block Conn. (1)			
① PLUG CONT	3	BRASS	ALL OVER Ni; 1.3μm MIN CONTACT POINT Au; 0.3μm MIN SOLDERING AREA Au; 0.05μm MIN
② HOUSING	1	THERMALPLASTIC	
③ SOLDER PEG	2	COPPER ALLOY	ALL OVER Ni; 1.3μm MIN Sn; 2μm MIN



① ADD DATE CODE



② MEASURE FROM BASE FLAT SURFACE TO BOTTOM OF TINE AND PEG COPLANARITY; 0.1MAX.

COPLANARITY ② 0.1 MAX.

REFERENCE PWB DIMENSION GENERAL TOLERANCE; ±0.05

1747271-1; AS SHOWN

THIS DRAWING IS A CONTROLLED DOCUMENT.		DWN 09MAY2012 C. OHASHI	TE Connectivity	
DIMENSIONS: 単位: 耗 mm		CHK 09MAY2012 S. KAJINUMA		
TOLERANCES UNLESS OTHERWISE SPECIFIED:		APVD 09MAY2012 T. KUSUHARA	NAME 名称 HIGH PROFILE BATTERY BLOCK CONNECTOR 3POS PLUG ASSY	
一般公差 ±0.2 0-PLC ± 1-PLC ± 2-PLC ± 3-PLC ± 4-PLC ± ANGLES ±2		PRODUCT SPEC 108-78178	SIZE A3	CAGE CODE 00779
MATERIAL 材料 SEE TABLE		APPLICATION SPEC 取付適用規格	DRAWING NO 番号 1747271	
FINISH 仕上 SEE TABLE		WEIGHT 0.27g	RESTRICTED TO	
		CUSTOMER DRAWING		SCALE 尺度 NTS SHEET 1 OF 2 REV A

THIS DRAWING IS UNPUBLISHED.

RELEASED FOR PUBLICATION

2004

© COPYRIGHT 2004

BY Tyco Electronics Japan G.K.

ALL RIGHTS RESERVED.

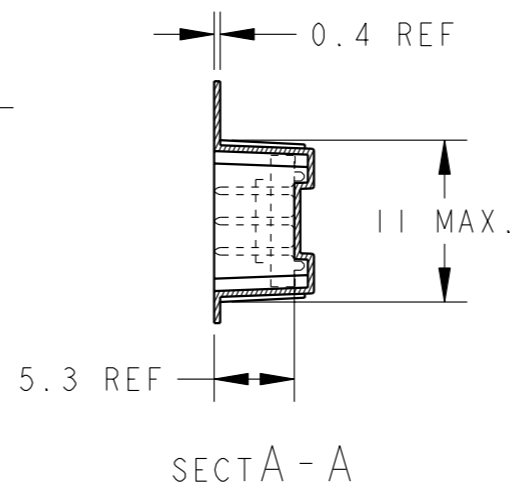
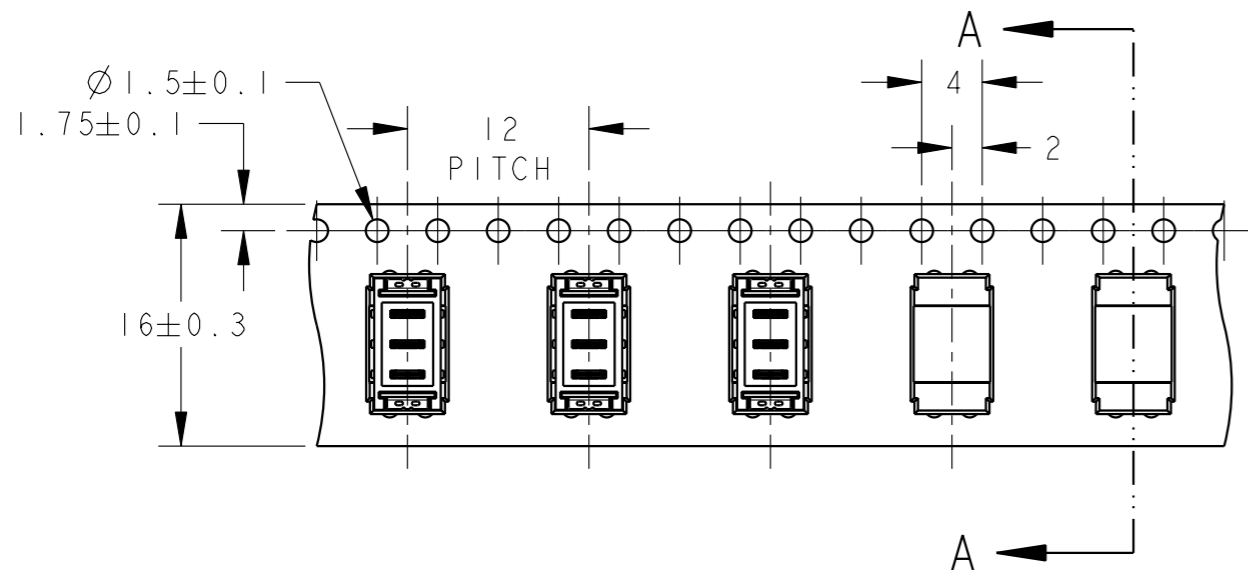
LOC
J

DIST
-

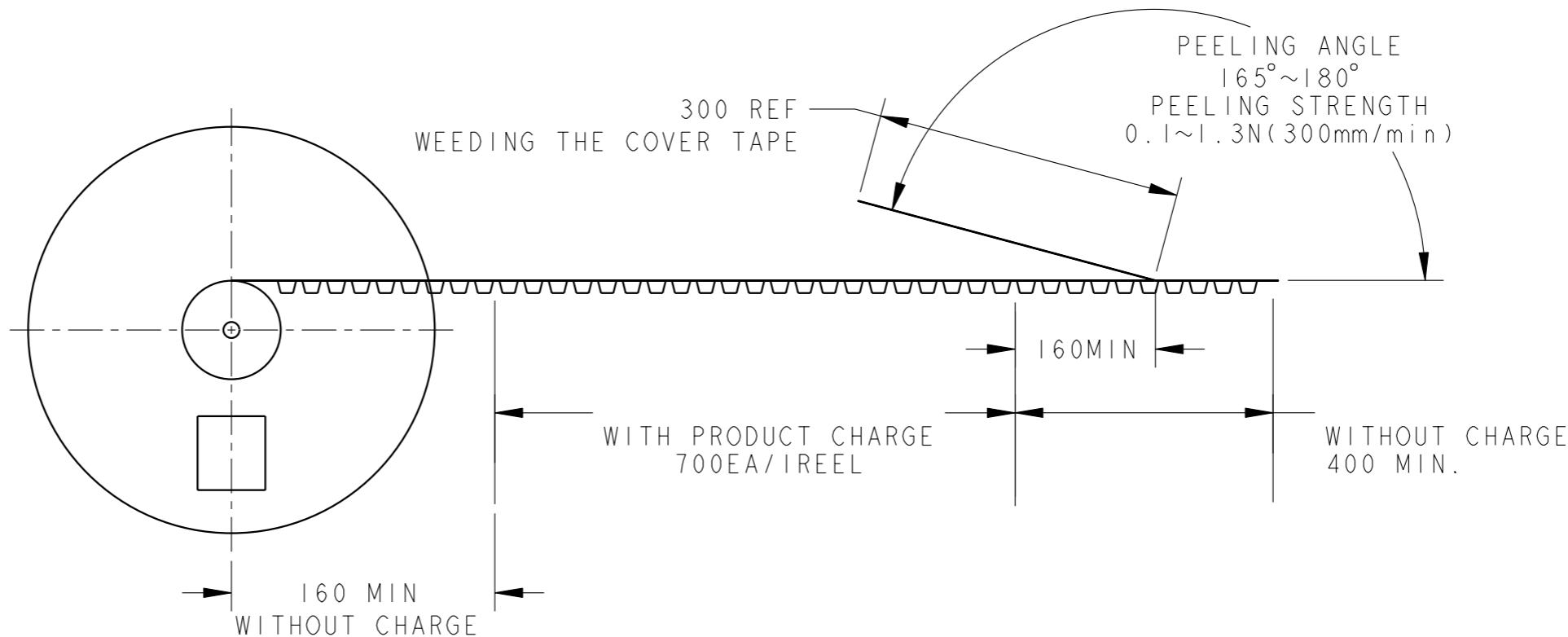
REVISIONS

変更

P	LTR	DESCRIPTION	DATE	DWN	APVD
-	-	SEE SHEET 1	-	-	-



- | ; AS SHOWN
- | ; 本図



THIS DRAWING IS A CONTROLLED DOCUMENT.

DIMENSIONS: 単位: 耗 mm	TOLERANCES UNLESS OTHERWISE SPECIFIED: 一般公差 ±0.2
	0-PLC ±
	1-PLC ±
	2-PLC ±
	3-PLC ±
	4-PLC ±
	ANGLES ±2
MATERIAL 材料	FINISH 仕上

DWN
CHK
APVD
PRODUCT SPEC 製品規格
APPLICATION SPEC 取付適用規格
WEIGHT
CUSTOMER DRAWING

STE TE Connectivity

NAME
名称
HIGH PROFILE
BATTERY BLOCK CONNECTOR 3POS
PLUG ASSY

SIZE A3	CAGE CODE 00779	DRAWING NO 番号 C-1747271	RESTRICTED TO
SCALE 尺度 NTS		SHEET 2	OF 2
		REV A	