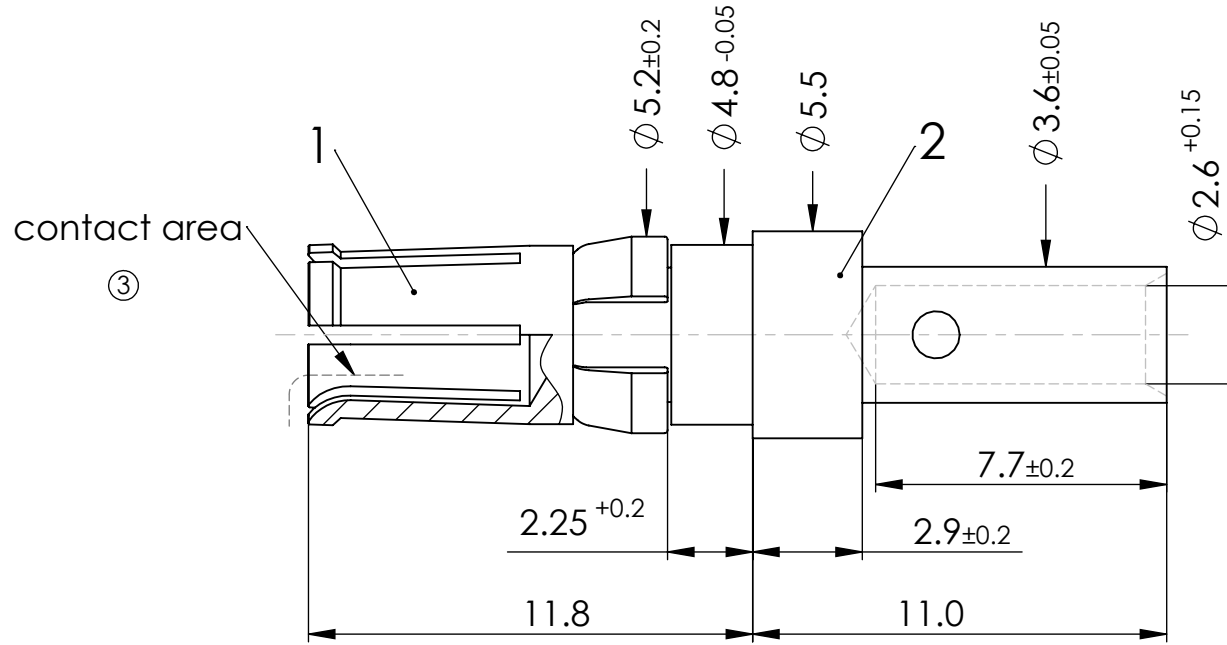
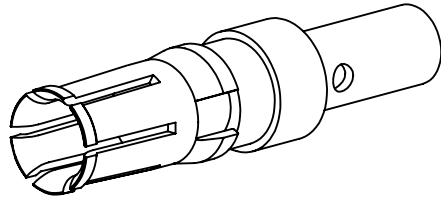


COMMENT:
 ALL RIGHTS ARE RESERVED BY US FOR THIS DRAWING. WITHOUT OUR PRIOR CONSENT,
 IT MAY NEITHER BE DUPLICATED NOR MADE AVAILABLE TO A THIRD PARTY,
 AND IT ALSO MAY NOT BE IMPROPERLY USED BY THE RECEIVER, OR A THIRD PARTY.



Text No. W-4

FCT tools:

Hand tool: M309

Pneumatic crimp tool: WA27-309

Die: SP994

Selector Number:
 AWG 12 / SEL. 5
 AWG 14 / SEL. 4

CURRENT		20 A		HIGH POWER CONTACT		SCALE 5:1		DATA SHEET		②	
FOR		D-Sub		DRAWN		NAME / DATE		PART NO.			
DIMENSIONS IN MM				CHECKED		MSteinbrück 05-09-2003		FMP003S		3	
MATERIAL + FINISH SEE EXTRA SHEET						MTeubel 16-08-2006		REPLACEMENT FOR:			
UNLESS OTHERWISE SPECIFIED DIMENSIONS FOR REFERENCE ONLY											
3	15-12-2006	11399		ORIGINAL: DIN A4-DRAWING AS A FILE				PAGE: 1/1			
REV.	DATE	INDEX									