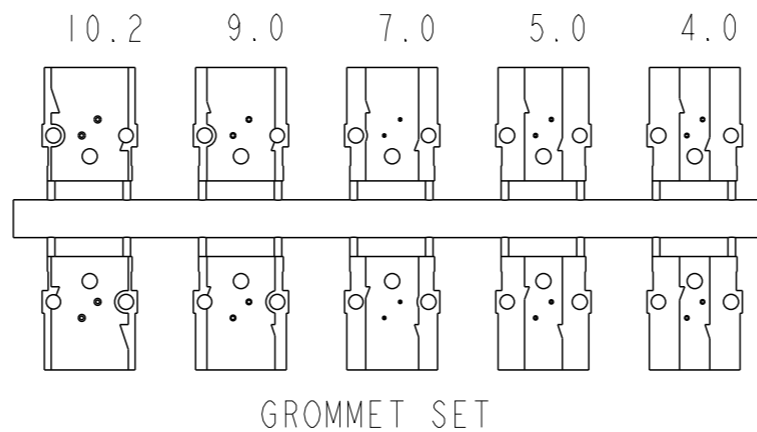
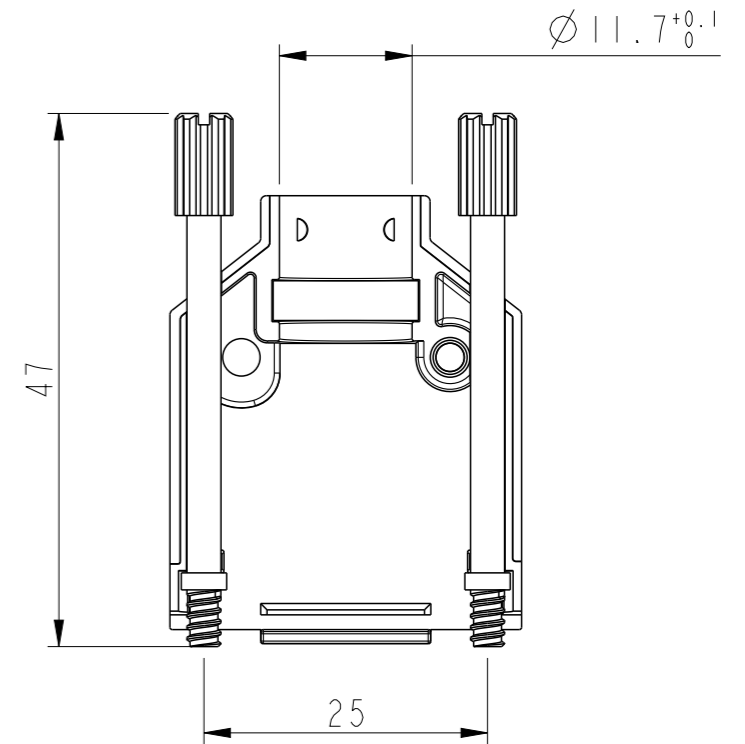
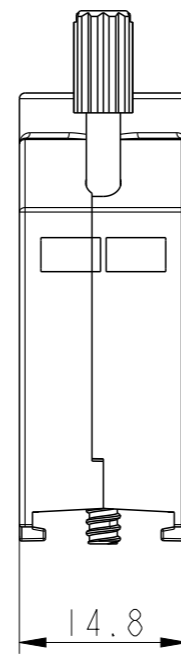
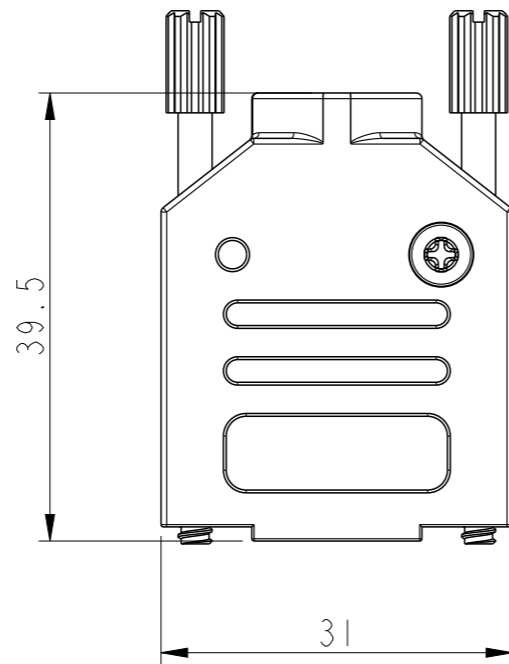
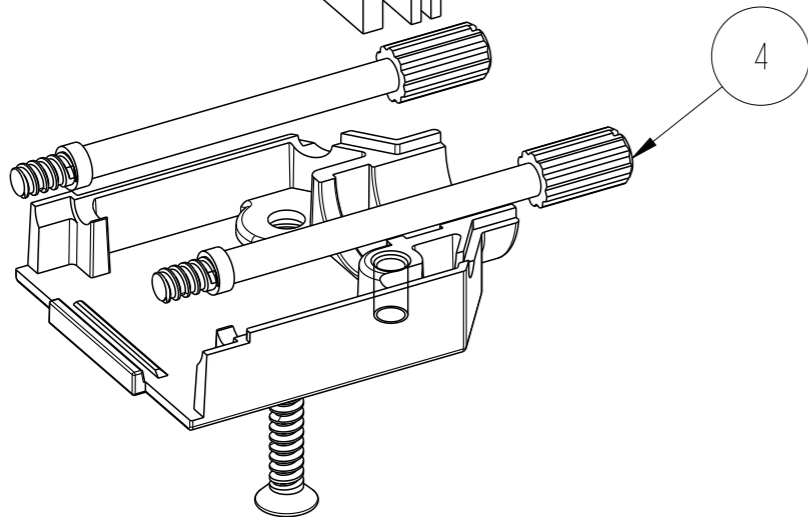
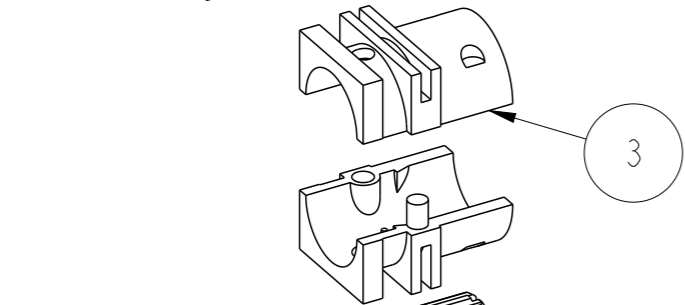
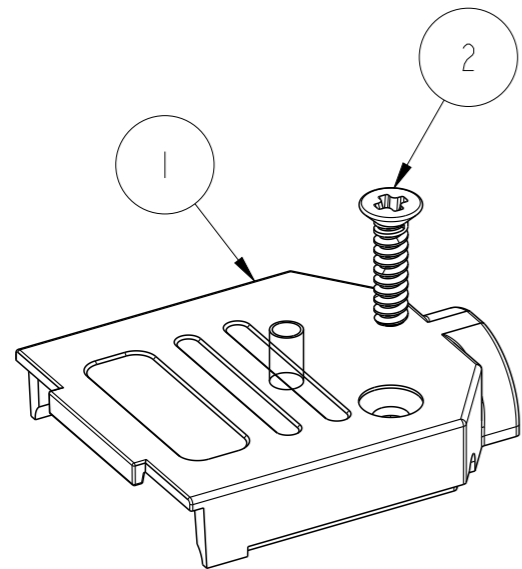


PART NUMBER	PACK	HOOD SIZE
8655AMETIAI1K00ILF	KIT	09



NOTES: (FOR EVERY SIZES)  
 1- OPERATING TEMPERATURE: -40°C TO +120°C  
 2- INDIVIDUAL KITS SEALED IN PLASTIC COVER IN UNASSEMBLED FORM.  
 BOM AS SHOWN IN TABLE

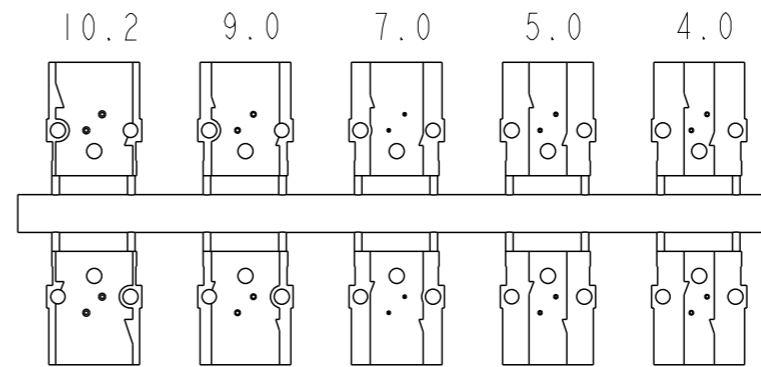
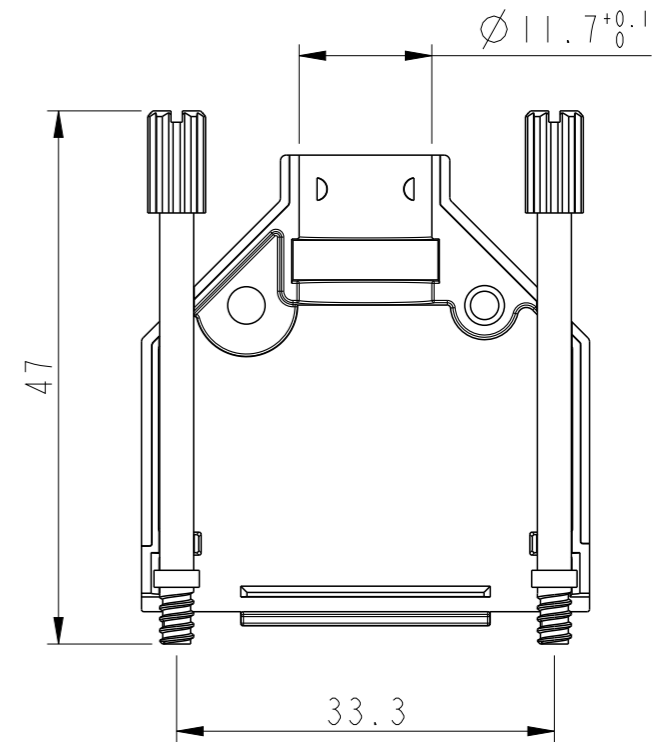
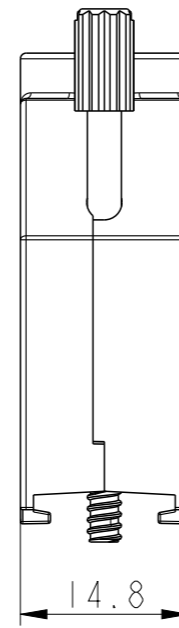
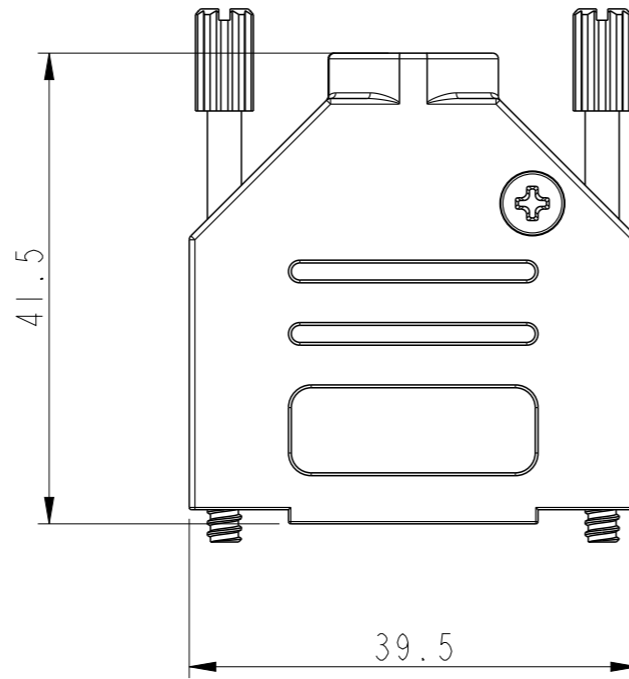
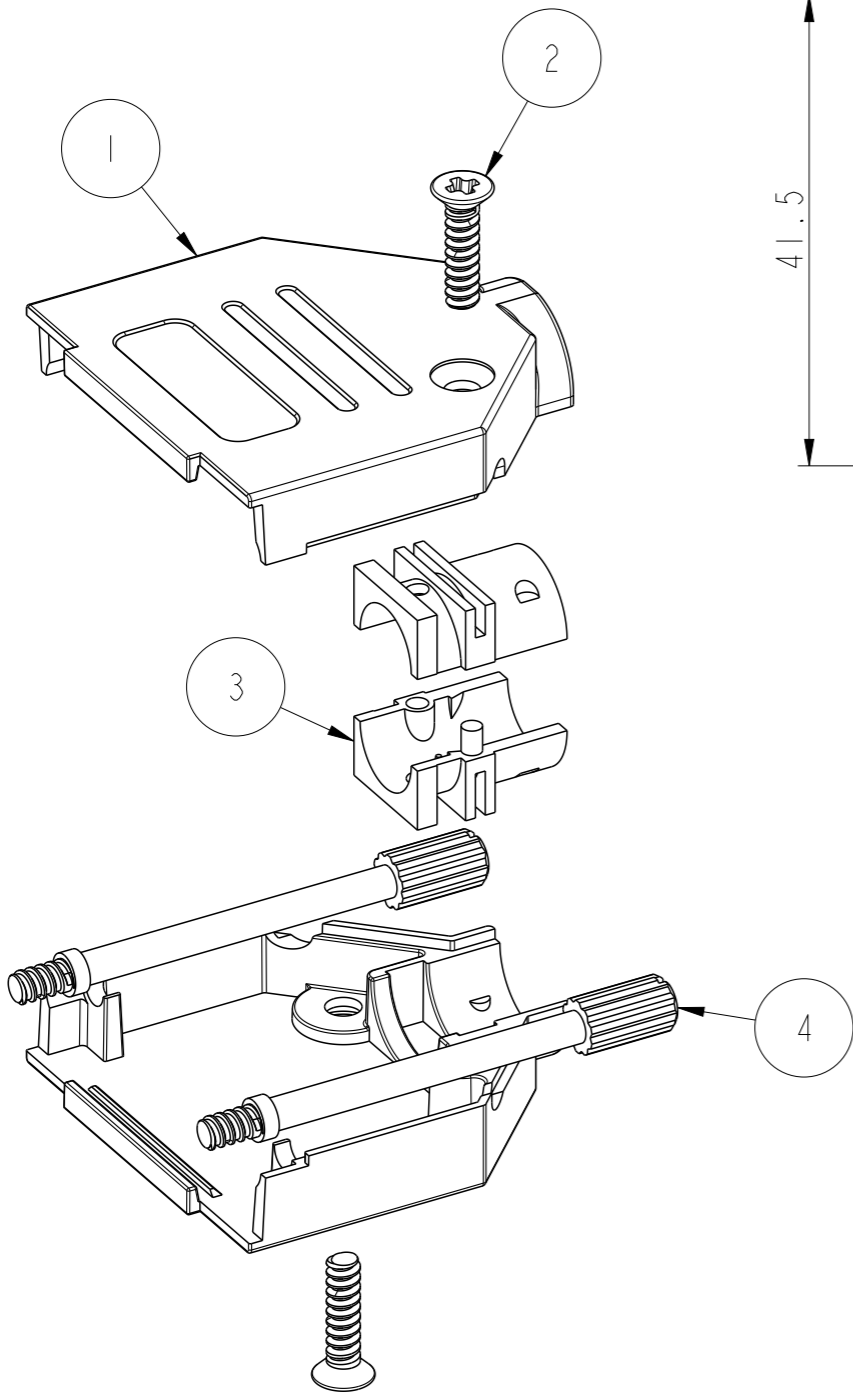
RoHS INFORMATION:  
 - THE LF PRODUCT MEETS EUROPEAN UNION DIRECTIVES AND OTHER COUNTRY REGULATIONS AS DESCRIBED IN GS+22-009  
 - THE PRODUCT IS NOT INTENDED TO BE EXPOSED TO A MANUFACTURING SOLDER PROCESS

ITEM NO.	QTY.	PART DESCRIPTION
1	2	DTZK09 COVER
2	2	M3X12 COUNTERSUNK SCREW
3	1	D45ZK-D2 GROMMET SET
4	2	UNC 4-40X47 JACKSCREW

spec ref	-	dr	Dipu Joseph	2020/09/17
tolerance std	ISO 406 ISO 1101	eng	Detouillon, Da	2020/11/17
	TOLERANCES UNLESS OTHERWISE SPECIFIED	chr	-	-
surface	ISO 1302	appr	Wollin, Severi	2020/11/13
	linear			
	angular			

projection	mm	size	A3	scale	3:2
product family	-	ecn no	-	rel level	Released
Amphenol FCI	title	DSUB METAL HOOD BLACK	dwg no	8655AMxxIAI1K00ILF	rev
cat. no.	-	Product - Customer Drw	sheet	1 of 4	A

PART NUMBER	PACK	HOOD SIZE
8655AMATIAI1K00ILF	KIT	15



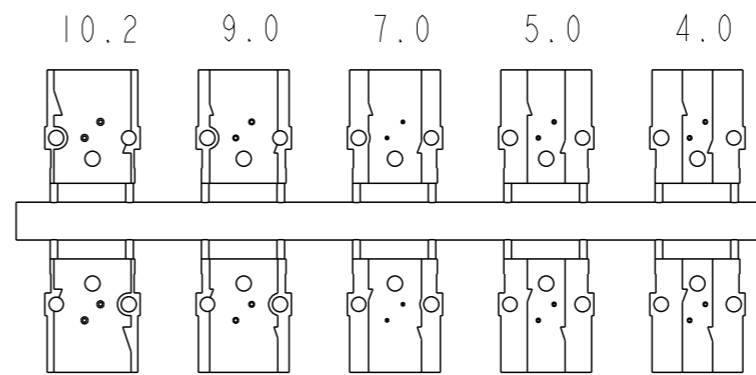
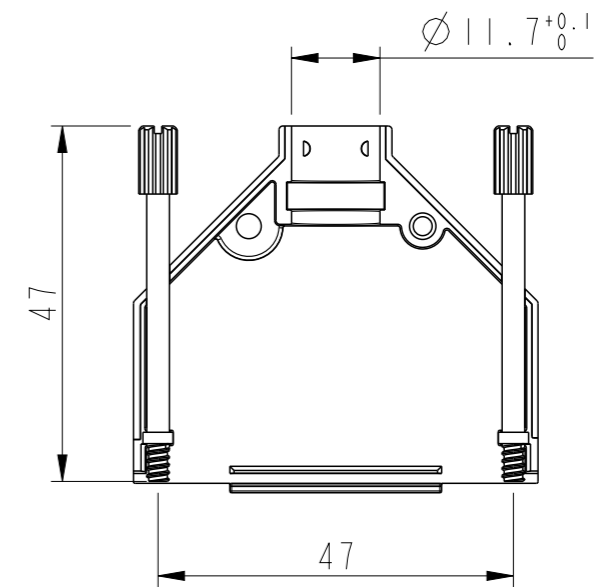
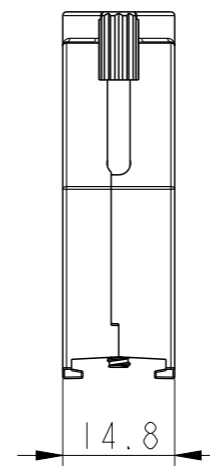
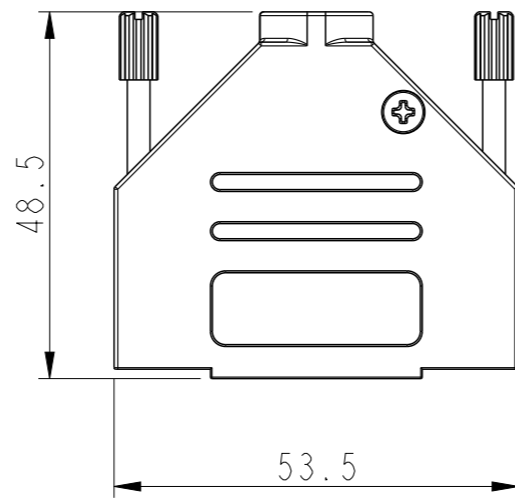
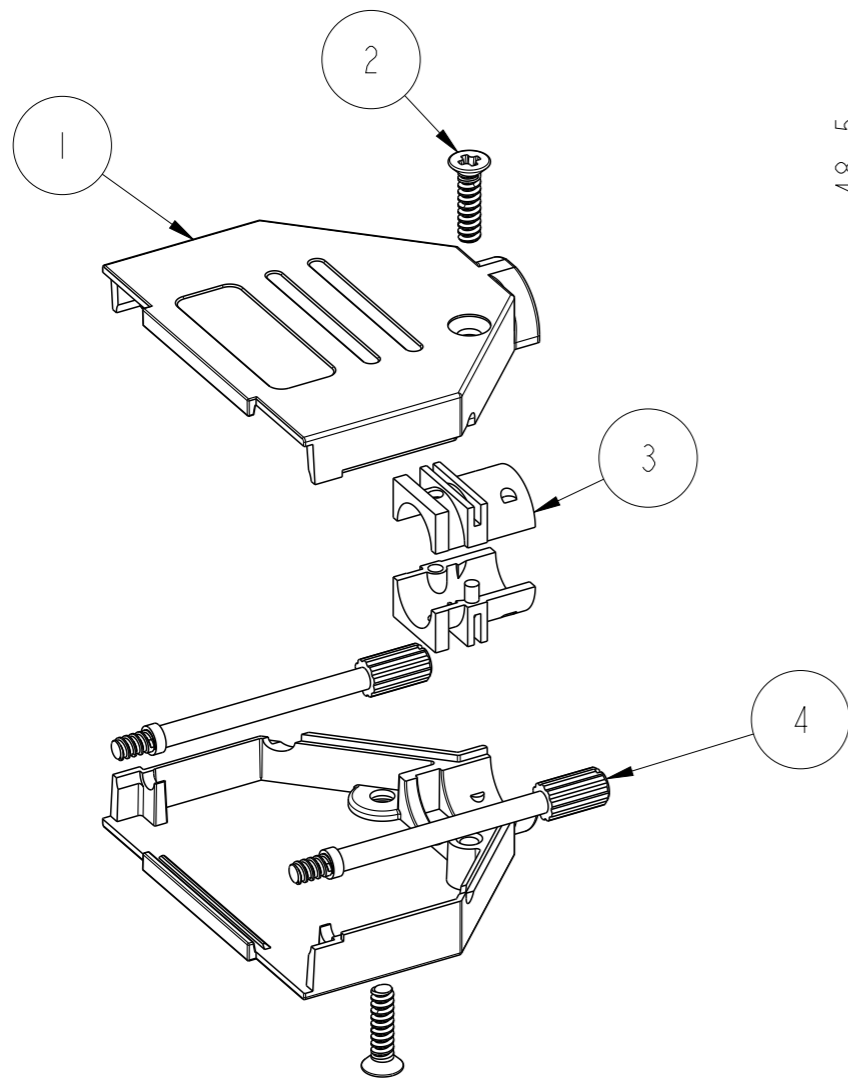
GROMMET SET

ITEM NO.	QTY.	PART DESCRIPTION
1	2	DTZKI5 COVER
2	2	M3X12 COUNTERSUNK SCREW
3	1	D45ZK-D2 GROMMET SET
4	2	UNC 4-40X47 JACKSCREW

spec ref	-	dr	Dipu Joseph	2020/09/17
tolerance std	ISO 406 ISO 1101	eng	Detouillon, Da	2020/11/17
	TOLERANCES UNLESS OTHERWISE SPECIFIED	chr	-	-
		appr	Wollin, Severi	2020/11/13
surface	linear	0.X	$\pm 0.3$	
		0.XX	$\pm 0.10$	
		0.XXX	$\pm 0.005$	
	angular	0°	$\pm 2^\circ$	

projection	mm	size	A3	scale	3:2
product family	-	ecn no	-	rel level	Released
Amphenol FCI	title	DSUB METAL HOOD BLACK		dwg no	8655AMxxIAI1K00ILF
cat. no.	-	Product - Customer Drw	rev	A	sheet 2 of 4

PART NUMBER	PACK	HOOD SIZE
8655AMBTIAI1K00ILF	KIT	25

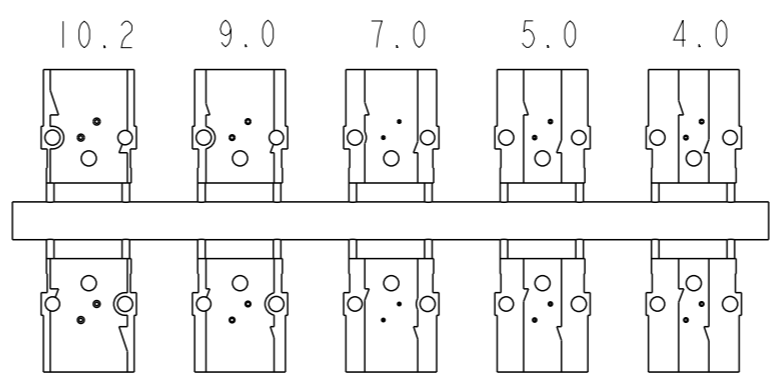
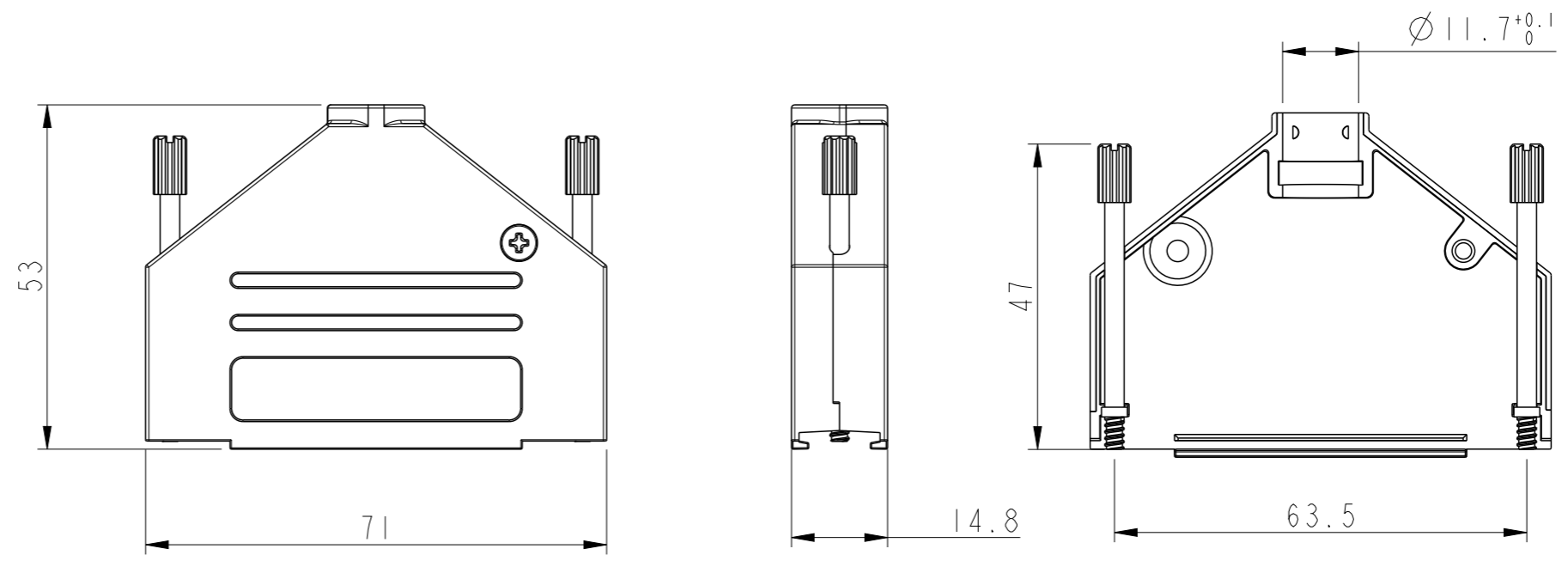
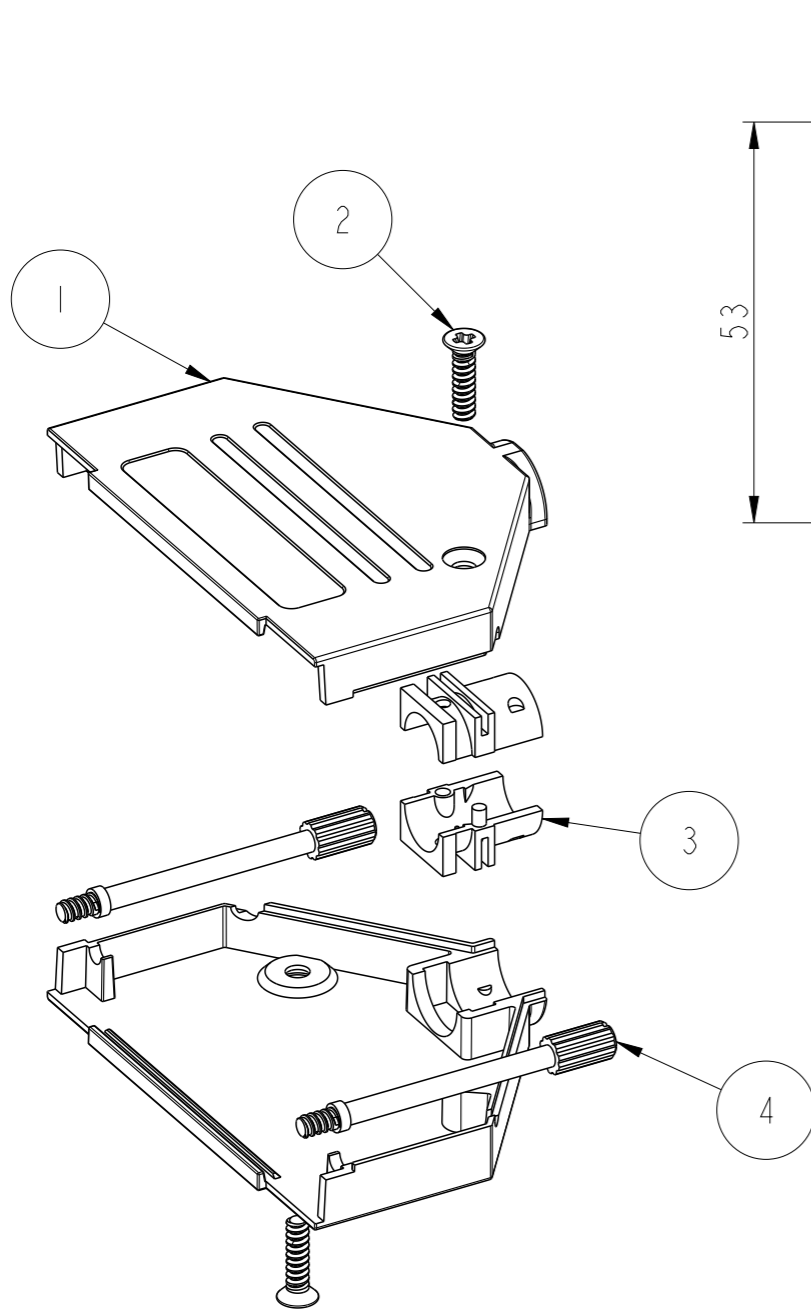


GROMMET SET

ITEM NO.	QTY.	PART DESCRIPTION
1	2	DTZK25 COVER
2	2	M3X12 COUNTERSUNK SCREW
3	1	D45ZK-D2 GROMMET SET
4	2	UNC 4-40X47 JACKSCREW

spec ref	-	dr	Dipu Joseph	2020/09/17	projection	mm	size	A3	scale	1:1
tolerance std	ISO 406 ISO 1101	eng	Detouillon, Da	2020/11/17			ecn no	-	rel level	Released
TOLERANCES UNLESS OTHERWISE SPECIFIED		chr	-	-						
surface	linear	appr	Wollin, Severi	2020/11/13	product family	-	rel level	Released		
	0.X	±0.3	<b>Amphenol FCI</b>		DSUB METAL HOOD BLACK		dwg no 8655AMxxIAI1K00ILF	rev A		
	0.XX	±0.10								
	0.XXX	±0.005								
ISO 1302	angular	0°	±2°	cat. no.	-	Product - Customer Drw	sheet 3 of 4			

PART NUMBER	PACK	HOOD SIZE
8655AMCTIAI1K00ILF	KIT	37



GROMMET SET

ITEM NO.	QTY.	PART DESCRIPTION
1	2	DTZK37 COVER
2	2	M3X12 COUNTERSUNK SCREW
3	1	D45ZK-D2 GROMMET SET
4	2	UNC 4-40X47 JACKSCREW

spec ref	-
tolerance std	ISO 406 ISO 1101
surface	ISO 1302

TOLERANCES UNLESS OTHERWISE SPECIFIED	linear	0.X	±0.3
		0.XX	±0.10
		0.XXX	±0.005
angular	0°	±2°	

dr	Dipu Joseph	2020/09/17
eng	Detouillon, Da	2020/11/17
chr	-	-
appr	Wollin, Severi	2020/11/13

projection	mm	size	A3	scale	1:1
product family	-	ecn no	-	rel level	Released
Amphenol FCI	title	DSUB METAL HOOD BLACK	dwg no	8655AMxxIAI1K00ILF	rev
cat. no.	-	Product - Customer Drw	sheet 4 of 4		A