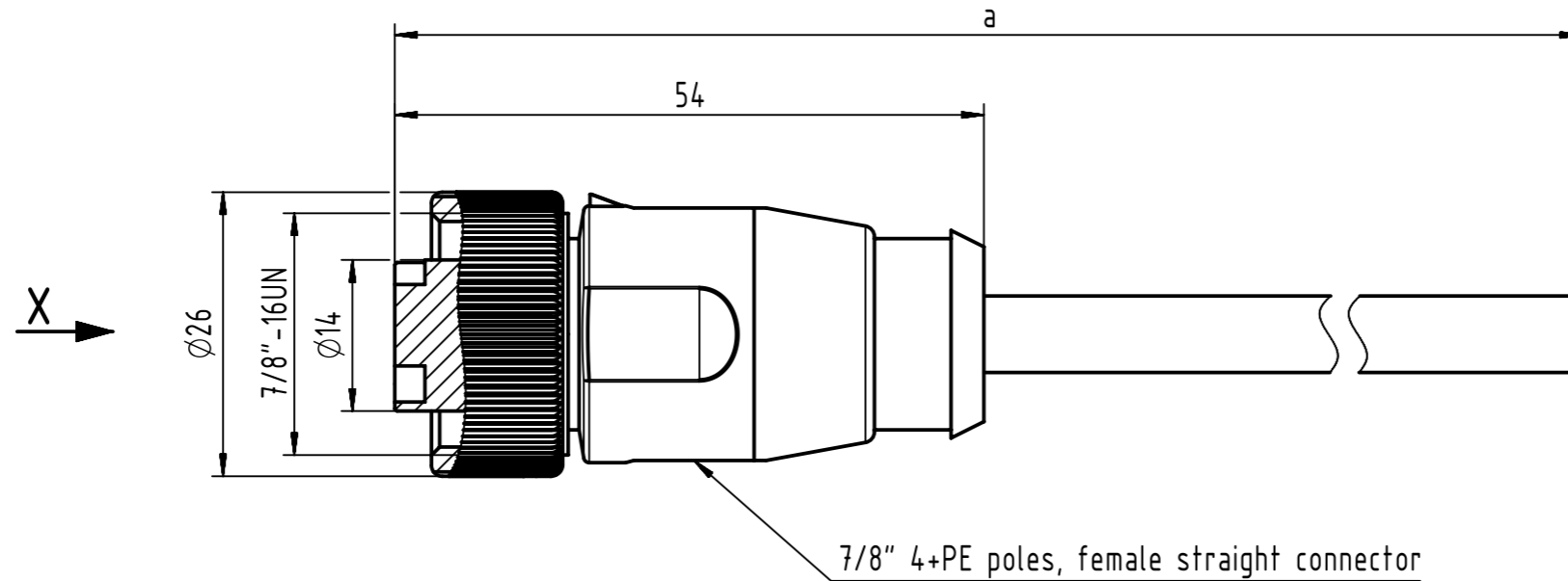
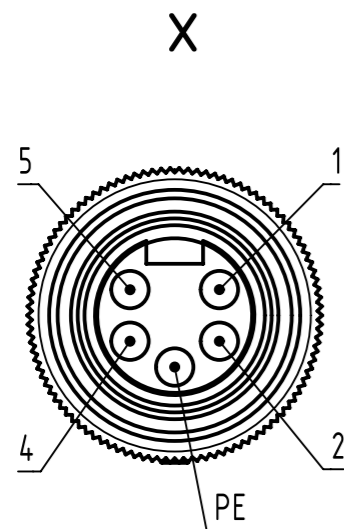


Connector Location A

Connector Location B



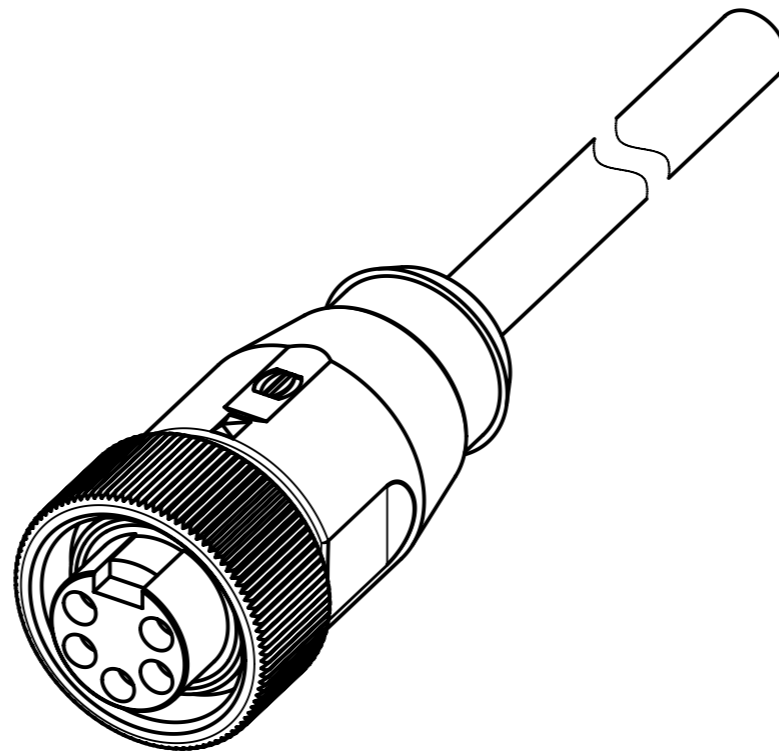
7/8" 4+PE poles, female straight connector



Loading-Plan:

- 1 — black
- 2 — blue
- PE — green-yellow
- 4 — brown
- 5 — white

- Protection level: IP 65/67
 - Temperature range: -25°C ... +80°C



4.0 to 100	+1%
0.1 to 3.9	+0.04
a [m]	Tolerance

length in "1m" step	100	XXX=000
	99	XXX=990
	.	.
	12	XXX=120
	11	XXX=110
length in "0.1m" step	10	XXX=100
	9.9	XXX=099
	9.8	XXX=098
	.	.
	0.4	XXX=004
	0.3	XXX=003
	0.2	XXX=002
	0.1	XXX=001
Step	a [m]	XXX

Part no.	213497005XXXXXX
-----------------	-----------------

Type of cable	XX
PVC grey, 5x1.5mm ²	XX=97
PUR black, 5x1.5mm ²	XX=98

All rights reserved Department HCS - RO HARTING Customised Solutions D-32427 Minden	All Dimensions in mm Tech. Character. Free size tol. According to production drawing 2016-09-07	Created by MUNTEANV	Inspected by POPESCUD	Standardisation AVRAM	Date 2016-10-18	State Final Release	Doc-Key / ECM-Nr. 100580950/UGD/009/B 500000110271
	Title 7/8" Cable Assembly	Type TB	Number 213497005XXXXXX	Rev. B	Page 1/1		