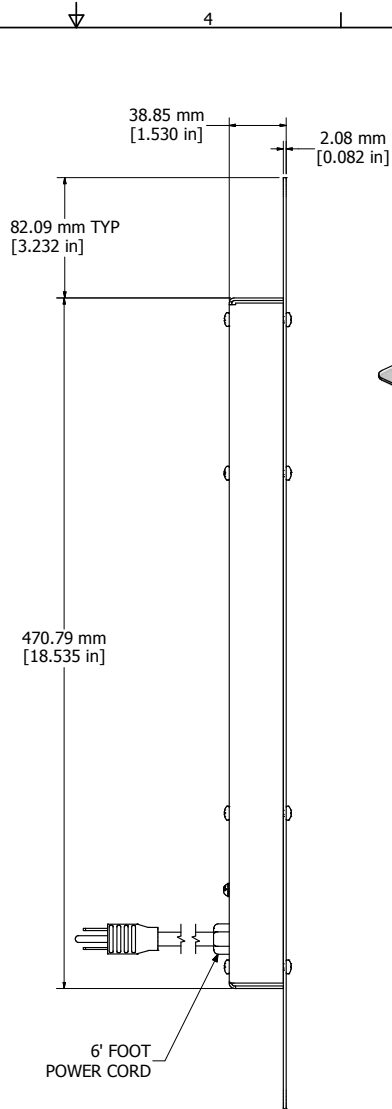
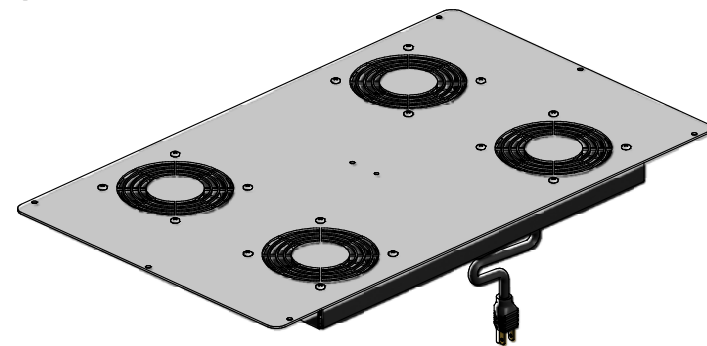


ASSEMBLY - VIEW FROM BOTTOM



ASSEMBLY - VIEW FROM BOTTOM



ISOMETRIC VIEW

C2T2423F4
Finish - Top - Painted Steel
Rated - 115 VAC, 50/60 Hz, 0.77 Amps
Free Flow Air Delivery - 400 CFM
Approvals - cURus Recognized UL507 and CSA C22.2 No.113
COLOURS
Black - C2T2423F4BK1
Beige - C2T2423F4CG1
HARDWARE
6 Screws - RoundHead 8-32 x 1/2"
6 Speed Nuts



**HAMMOND
MANUFACTURING™**

C2T2423F4

www.hammondmfg.com