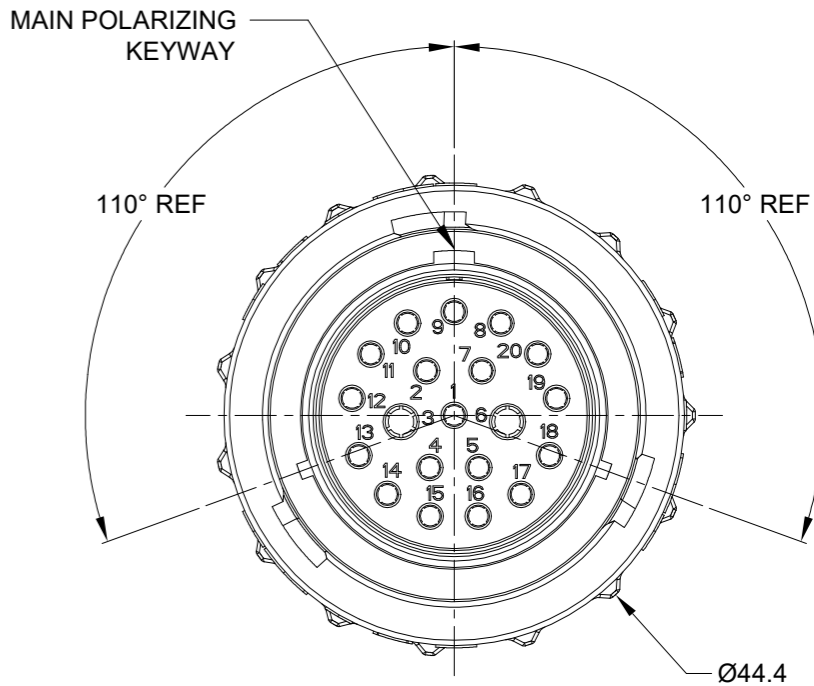
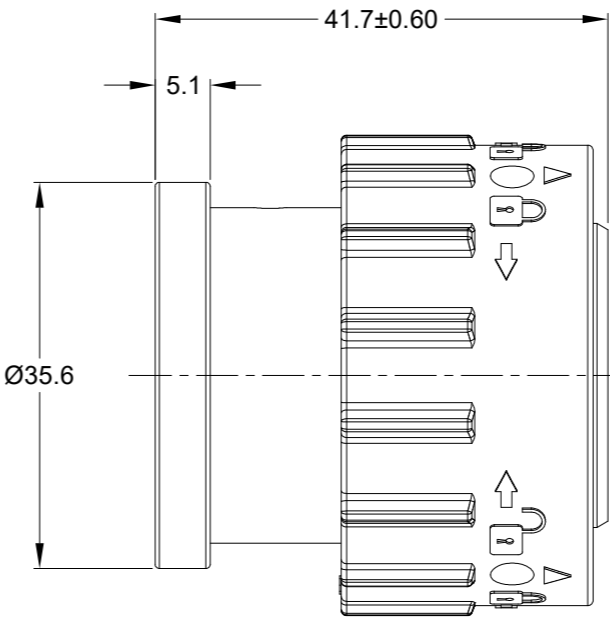
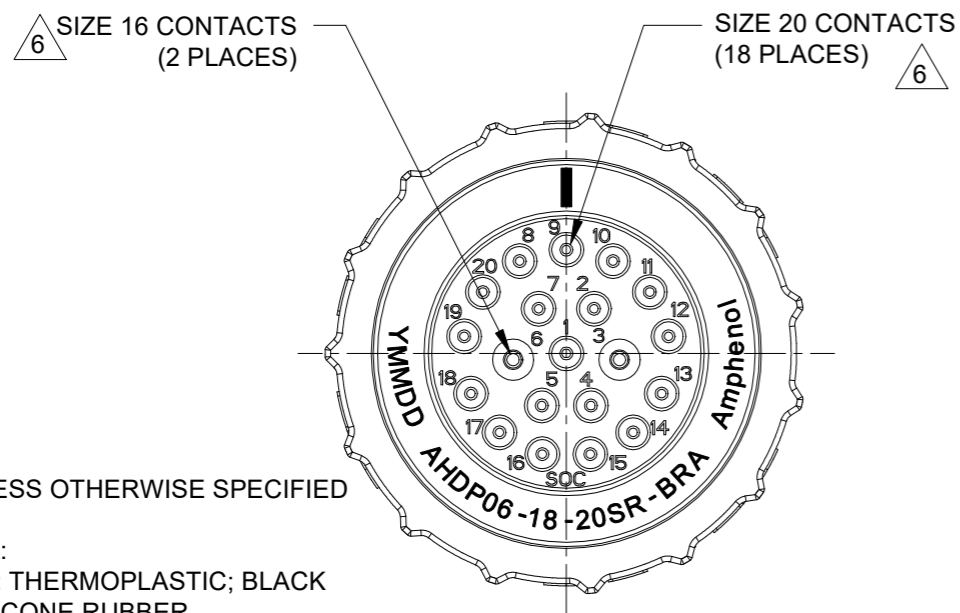


REVISIONS					
REV	ECO	DESCRIPTION	DATE	BY	APPR
A1	-	RELEASE NEW DRAWING	01/MAR/22	MILO	TOMMY

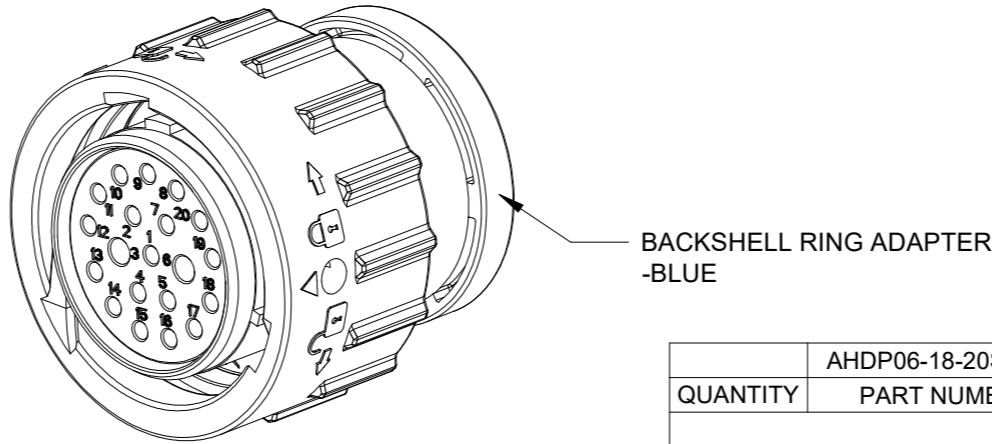


NOTES: UNLESS OTHERWISE SPECIFIED

- MATERIAL:  
HOUSING: THERMOPLASTIC; BLACK  
SEAL: SILICONE RUBBER
- MODIFICATIONS: BACKSHELL RING ADAPTER (BRA);  
REDUCED DIA. WIRE SEAL;
- SPECIFICATIONS:
  - OPERATING TEMPERATURE: -55°C TO +125°C.
  - DIELECTRIC WITHSTANDING VOLTAGE: LESS THAN 2 MILLIAMPS CURRENT LEAKAGE @ 1500 VOLTS AC.
  - INSULATION RESISTANCE: 1000 MEGOHM MIN @ 25°C.
  - MOISTURE RESISTANCE:  
IP68(IM OF WATER FOR A PERIOD OF 24 HOURS, MATED CONDITION);  
IP69K(MATED CONDITION)
  - MATING CYCLE DURABILITY: 100 CYCLES
  - RoHS COMPLIANT
- MATING PART: AHDP02-18-20P\* & AHDP04-18-20P\* (\* = SEAL TYPE)
- ALL DIMENSIONS ARE FOR REFERENCE USE ONLY.

6 CONTACT SIZE AND WIRE RANGE:

CONTACT SIZE	MIN. INSUL O.D.	MAX. INSUL O.D.	TYPICAL WIRE RANGE	CURRENT RATING
20	1.02 mm (.040in)	2.41 mm (.095 in)	16-22 AWG (1.5-0.5mm <sup>2</sup> )	7.5 AMPS
16	1.35mm (.053in)	3.05mm (.120 in)	14-20 AWG (2.0-0.5mm <sup>2</sup> )	13 AMPS



QUANTITY	AHDP06-18-20SR-BRA	DESCRIPTION	REF: HDP26-18-20SE-L017
	PART NUMBER		ITEM

MATERIALS LIST			
UNLESS OTHERWISE SPECIFIED	SIGNATURES	DATE	
1) All dimensions are in metric(mm). 2) Tolerances are as follows: 1 PL DEC ±0.30 2 PL DEC ±0.15 3 PL DEC ±0.08	DRAWN: MILO.DONG CHECKED: SULLEN.ZHANG ENGINEER: APPROVAL: TOMMY.XIE	01/MAR/22 02/MAR/22 03/MAR/22	<h1>Amphenol</h1> <p>Sine Systems - www.amphenol-sine.com 44724 Morley Drive Clinton Township, MI 48036</p>
3) Note reference =	MATERIAL SPECIFICATIONS: <b>WEIGHT: 51.3g</b>		
PROCESS SPECIFICATIONS:	CUSTOMER: THIS DRAWING IS SUPPLIED FOR INFORMATION ONLY. DESIGN FEATURES, SPECIFICATIONS AND PERFORMANCE DATA SHOWN HEREON ARE THE PROPERTY OF THE AMPHENOL CORPORATION. NO RIGHTS OF REPRODUCTION ARE IMPLIED. ALL DIMENSIONS ARE SUBJECT TO NORMAL MANUFACTURING VARIATIONS.		<p>20POS, PLUG, SOCKET, SIZE 18, RD SEAL, BRA, DURAMATE AHDP</p>
NEXT ASSY:	SIZE	TYPE	DWG NO.
	B	C-	AHDP06-18-20SR-BRA
	SCALE: NONE	DURAMATE	REVISION A1
	SHEET 1	OF 1	

TITLE: 20POS, PLUG, SOCKET, SIZE 18, RD SEAL, BRA, DURAMATE AHDP  
DWG NO: AHDP06-18-20SR-BRA  
REV: A1  
SH: 1  
OF: 1