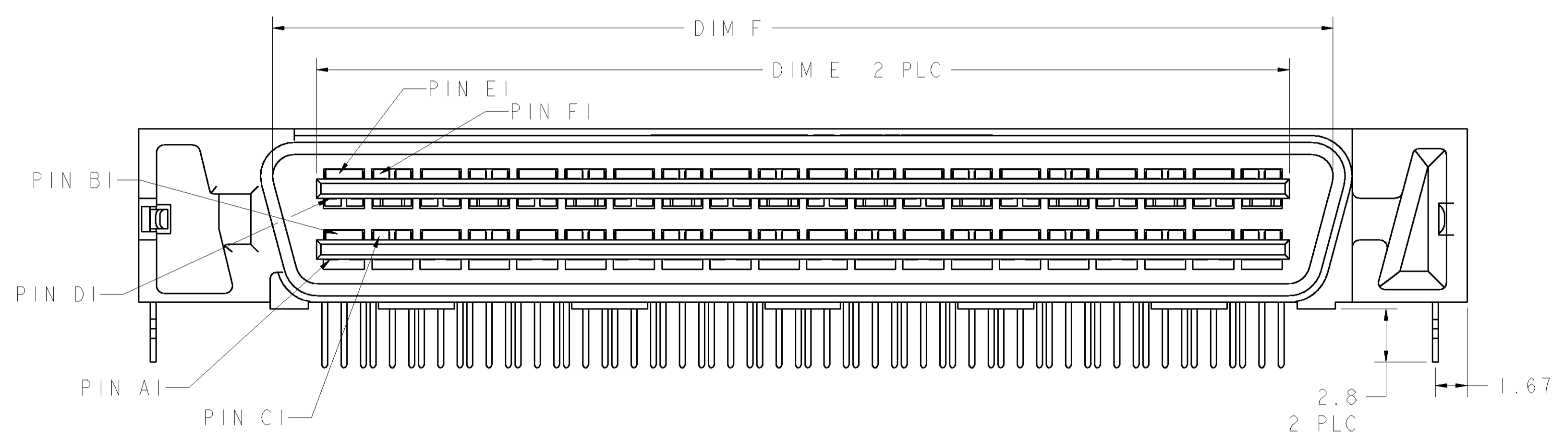
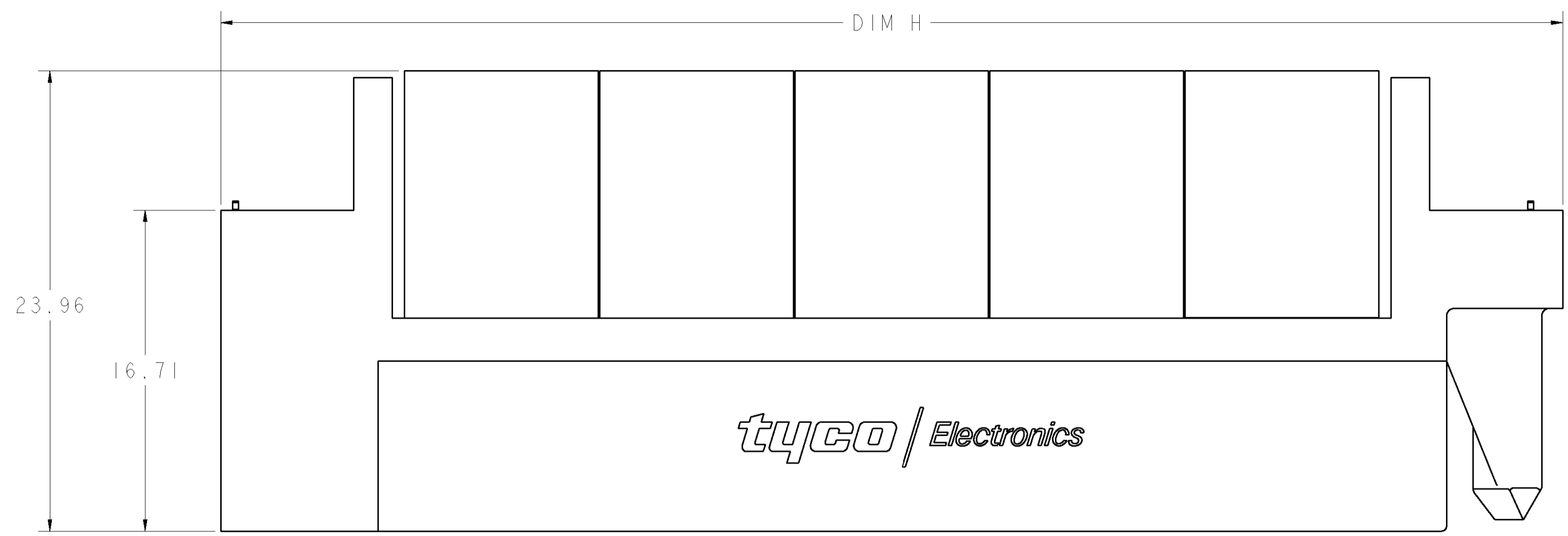
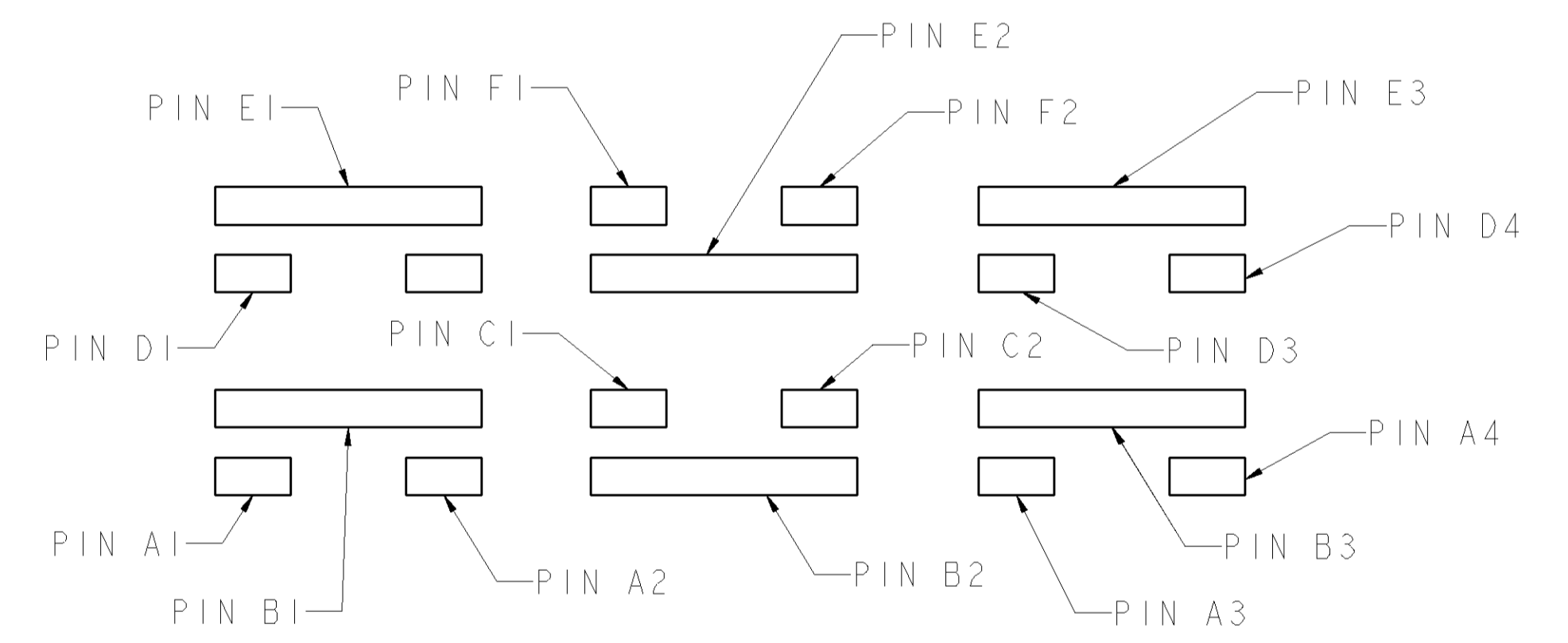
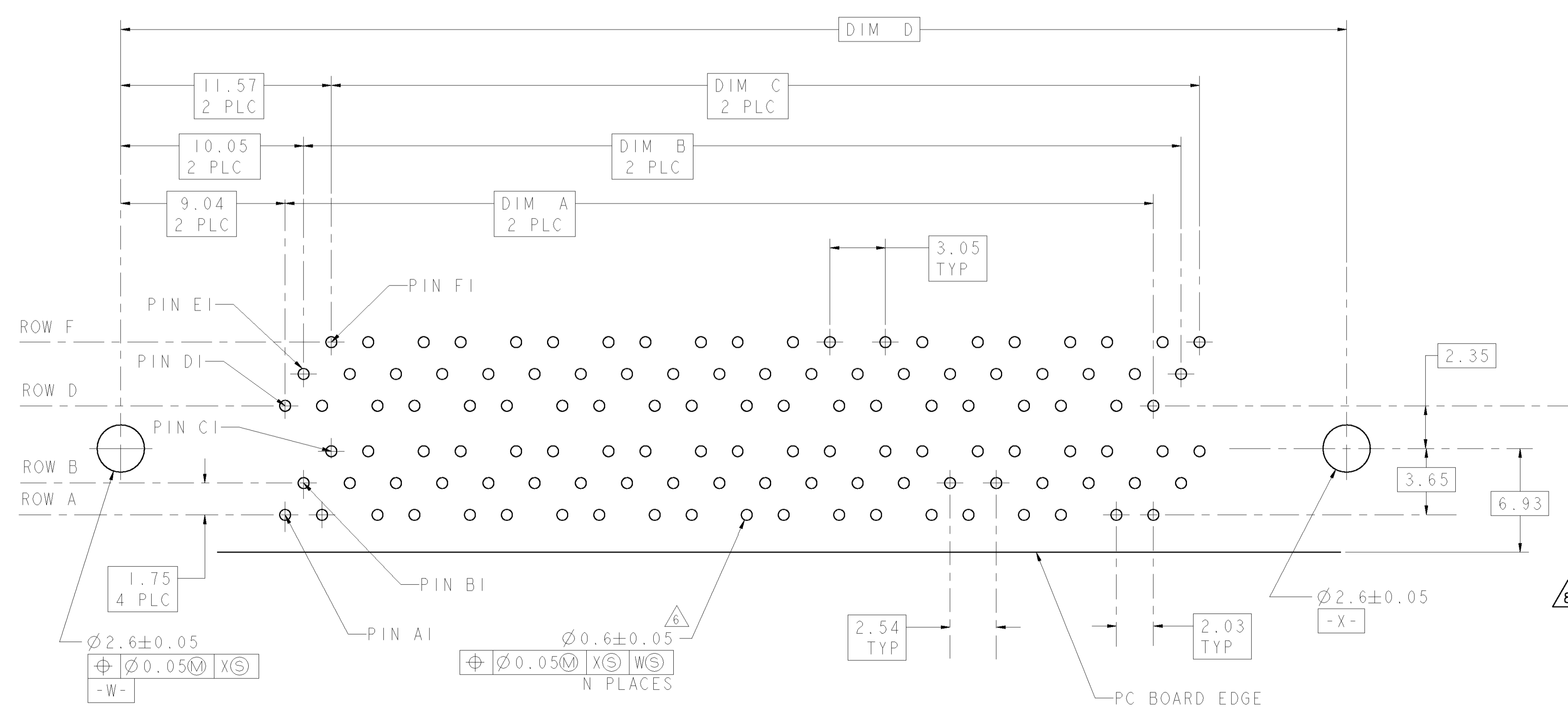
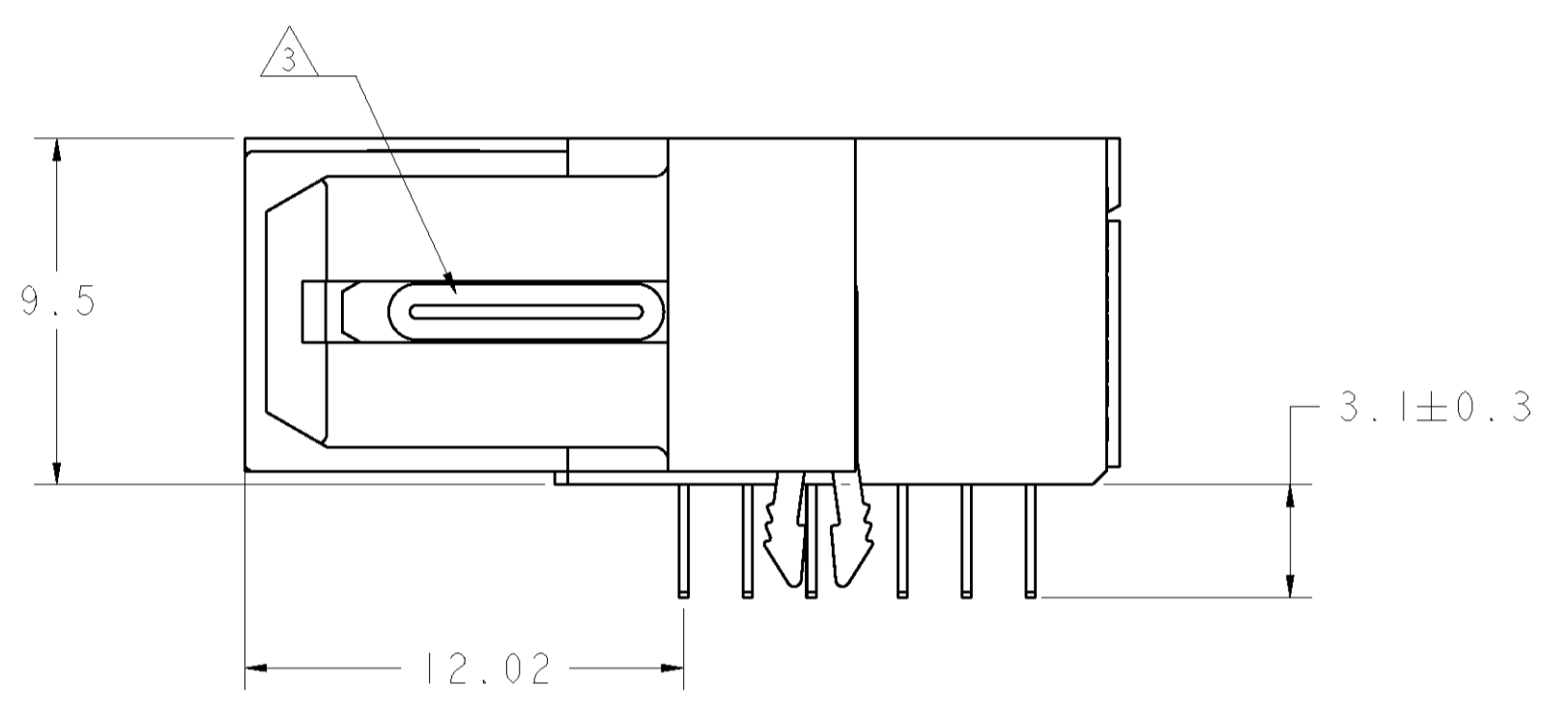


LOC		DIST		REVISONS			
GP	00	P	LTR	DESCRIPTION	DATE	DWN	APVD
		A		RELEASED	30NOV2005	EDB	EDB
		A1		REVISED PER ECO-09-025699	08DEC09	KK	AEG



- △ MATERIAL:
HOUSING AND ORGANIZER: POLYESTER, NATURAL
CONTACTS: COPPER ALLOY
BOARDLOCKS: BRASS
- △ PLATING:
BOARDLOCKS: 2.0µm MIN. TIN OVER 1.00µm MIN NICKEL
CONTACTS: 0.76µm MIN GOLD IN CONTACT AREA, 2.54µm MIN TIN IN TERMINATION AREA, OVER 1.27µm MIN NICKEL.
- △ CONTACT ENGAGING SEQUENCE: BOARDLOCK (ESD), GROUND, SIGNAL.
- 4. DATE CODE MAY BE MARKED ON EITHER END.
- 5. ROWS A, C, D, AND F ARE SIGNAL CONTACTS
ROWS B AND E ARE GROUND CONTACTS.
- △ CONNECTOR SIZE CAN ACCOMMODATE INDICATED QUANTITY OF DIFFERENTIAL PAIRS.
- 7. COMPONENT HAS NOT PASSED VERIFICATION TESTING.
- △ OBSOLETE PARTS: OBSOLETE CIS STREAMLINING PER D.RENAUD/D.SINISI



OB	"N" DIM	"H" DIM	"F" DIM	"E" DIM	"D" DIM	"C" DIM	"B" DIM	"A" DIM	DIFF PAIRS	PART NO
△ OBSOLETE	216	110.50	96.40	91.79	108.05	88.39	88.90	88.39	72	6367198-7
	96	59.70	45.60	40.99	57.25	37.59	38.10	37.59	32	6367198-6
	72	49.54	35.44	30.83	47.09	27.43	27.94	27.43	24	6367198-5
	192	100.34	86.24	81.63	97.89	78.23	78.74	78.23	64	6367198-4
	168	90.18	76.08	71.47	87.73	68.07	68.58	68.07	56	6367198-3
△ OBSOLETE	144	80.02	65.92	61.31	77.57	57.91	58.42	57.91	48	6367198-2
	120	69.86	55.76	51.15	67.41	47.75	48.26	47.75	40	6367198-1

RECOMMENDED PC BOARD FOOTPRINT
 COMPONENT SIDE SHOWN
 SCALE 6:1

DIMENSIONS:		TOLERANCES UNLESS OTHERWISE SPECIFIED:		DWN: E. BRIANT 30NOV2005		tyco AMP Incorporated	
mm	0 PLC ±	1 PLC ±0.3	2 PLC ±0.13	3 PLC ±	4 PLC ±	5 PLC ±	Harrisburg, PA 17105-3608
MATERIAL: △		FINISH: △		CEN: E. BRIANT 30NOV2005		Z-DOK CONNECTOR ASSEMBLY	
APVD: M. WALMSLEY		PRODUCT SPEC: 108-1985		NAME: M. WALMSLEY		PLUG, ESD BOARDLOCKS	
APPLICATION SPEC: 114-13068		WEIGHT: -		SIZE: CAGE CODE: DRAWING NO: A100779		RESTRICTED TO: -	
CUSTOMER DRAWING		SCALE: 3:1		SHEET: 1 OF 1		REV: A1	