

Ratings

Temperature: -40 ~ 70 °C

Conductor

Gauge: 28 AWG, 0.081 mm²
 Material: tinned copper strands
 Stranding: $\phi 0.05 \times 40$
 Resistance at 20 °C: 240 Ω /km

Insulator

Material: HDPE
 Color: black, white, yellow, red
 Outer diameter: $\phi 0.7 \pm 0.10$ mm
 Nominal thickness: 0.15 mm
 Resistance at 20 °C: 1000 M Ω /km

Shield

Type: spiral
 Material: tinned copper strands
 Strand size: $\phi 0.08$ mm
 Coverage: 90 % minimum

Outer jacket

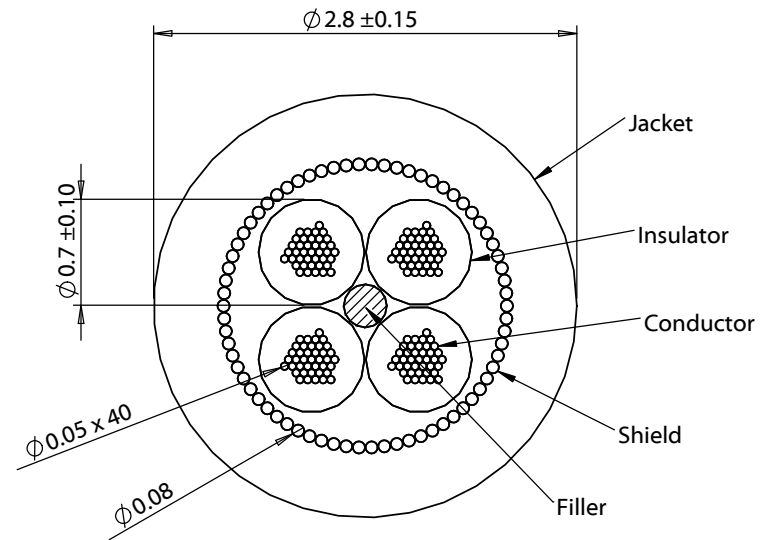
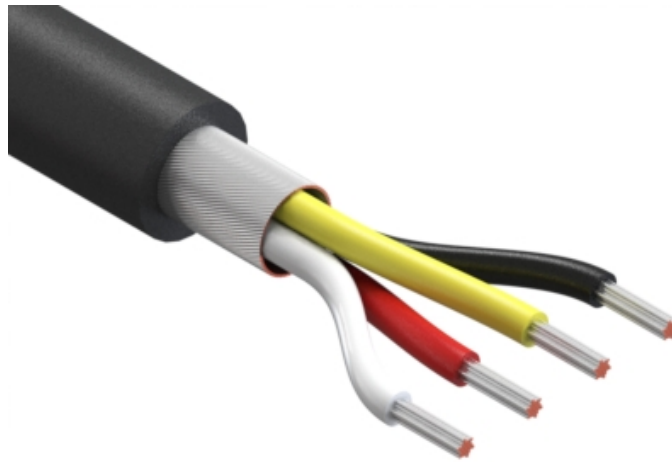
Material: TPU, 70 °C
 Color: black
 Nominal thickness: 0.50 mm
 Diameter: $\phi 2.8 \pm 0.15$ mm

Filler

Material: aramid fiber

Tests

Tensile strength: 35.7 kgf
 Dielectric test: 1500 V dc for 1 minute without breakdown
 Bend test at 200 g, $\pm 90^\circ$, 30 cycles /min: 15,000 cycle minimum



REVISION	DATE	DESCRIPTION
A	7/31/2015	Initial release
A1	1/13/2016	Updated notes, corrected tolerances
A2	1/17/2019	Changed filler material to generic name

PREPARED:

AG
 Digitally signed by AG
 Date: 2019.01.18 11:16:32 -08'00'

VERIFIED:

GL
 Digitally signed by GL
 Date: 2019.01.18 12:12:06 -08'00'

DIMENSIONS ARE IN MILLIMETERS

TOLERANCES:
 X: ± 0.5 mm
 X.X: ± 0.3 mm
 X.XX: ± 0.05 mm

NOTES

RoHS and REACH compliant

Jacket meets ISO 10993 for biological compatibility

Phthalate and halogen free

Function test: no open, no short, no intermittent

DESCRIPTION:

Wire, 4C TS, 28 AWG, 150V, 70C, 2.8 mm, spiral shield, TPU

TENSILITY

20802 Sockeye Place #130
 Bend, OR 97701 USA
 tel 541.323.3228 fax 541.323.4202
 800 877.670.7118 www.tensility.com

SIZE

A

PART NUMBER

30-00491

SCALE: 1:1

SHEET 1 OF 1