

TLY. | Hook clamps

Steel



MATERIAL

Zinc-plated steel.

MOUNTING

Welding

SPECIAL EXECUTIONS ON REQUEST

Hook clamps in AISI 304 stainless steel.



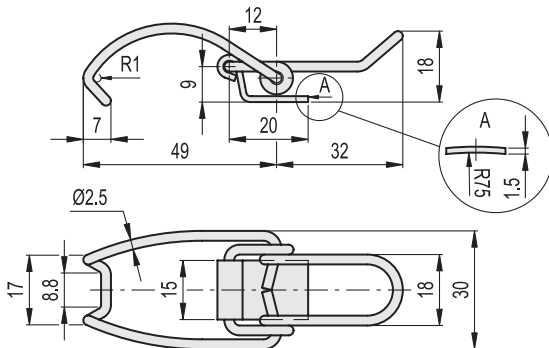
TLZ. | Hook clamps

Steel

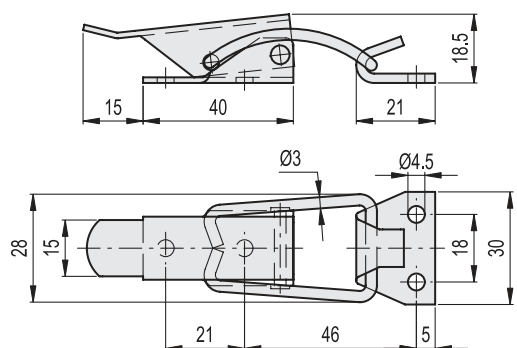


LEVER BODY AND CATCH BRACKET MATERIAL

Zinc-plated steel.



METRIC



METRIC

Code	Description	Max. working load [N]	Load at breakage [N]	⚖️
420271	TLY.Z-30/81	300	600	18

Code	Description	Max. working load [N]	Load at breakage [N]	⚖️
420282	TLZ.Z-16/93+R	1000	2500	52

- 1
- 2
- 3
- 4
- 5
- 6
- 7
- 8
- 9
- 10
- 11
- 12
- 13
- 14
- 15
- 16
- 17
- 18

Latches