

| | |
|--|---|
| GloTek, Inc. www.globtek.com 186 Veterans Drive, Northvale, NJ 07647 Tel. (201) 784-1000 Fax (201) 784-0111 | Drawing Title: NEMA 5-15P (TYPE B) 2 CONDUCTOR + GROUND PLUG with Cord Grip GREY to CUT BLUNT, GT Cable #136GY: 14 / 3 Conductors, 9.3mm OD, SJT FT3 VW-1, 60 Deg.C, 250V, BLK/WHT/GRN, Approvals: , 15240mm, GlobTek Cool Gray |
| | Model No. Power Cord |
| Part No./Ordering No. 30110450F000-GY | Rev A1 |

CUSTOMIZED LENGTHS, COLORS, CABLE TYPES, TERMINATIONS/PLUGS/RECEPTACLES AVAILABLE UPON REQUEST. ADDITIONAL PLUG OPTIONS ARE AVAILABLE AT <https://www.globtek.com/connectors/> STANDARD PLUGS AND CONNECTORS CAN BE SEEN ONLINE AT <https://www.globtek.com/connectors/> ACTUAL CONNECTORS, OVERMOLDS, FERRITES MAY VARY SLIGHTLY FROM THE PICTURE BELOW DIMENSIONS ARE IN MM UNLESS SPECIFIED OTHERWISE

In Addition to GlobTek Inc.'s renewed ISO9001:2008 - Quality Management System Certification, GlobTek Inc. is now certified to:

ISO13485:2003 - Medical Devices Quality Management System Certification
ISO14001:2004 - Environmental Management System Certification

ISO Certificates are available online at <https://www.globtek.com/iso-certificates/>
Prop 65 Statement:<https://en.globtek.com/prop-65-statement.pdf>

The acceptance of this specification and use of the product described in this document indicates the acceptance and binding of the customer to Globtek TERMS AND CONDITIONS (attached to the end of this document), which supersede all other agreements, terms, and conditions (<https://en.globtek.com/terms-and-conditions/>).

The purchaser of this product (Customer) agrees that it is their sole responsibility to determine suitability/fitness of the product described in this specification for their application and to take precautions for protection against any hazards attendant to the handling and use of the product.

Footnote:

GlobTek Inc. will not be liable for the safety and performance of these power supplies if unauthorized access and repair occurs. End user should consult applicable UL, CSA or EN standards for proper installation instruction.

Limitation of Use:

GlobTek products are intended for use with commercial, medical, and/or industrial equipment only. GlobTek product are not authorized for use as mission critical components in life support hazardous environment, nuclear or aircraft applications without prior written approval from the CEO of GlobTek Inc.
Contents of this document are subject to change without prior notice.

Customer Approval of Specification:

Please approve, sign and send back to GlobTek so we can complete order processing.
A delay in receipt of this form will delay delivery schedule.

| | |
|---------------------------------------|--|
| Company Name: _____ | Customer P/N: _____ |
| Quote Number: _____ | Date: _____ |
| Authorized Representative Name: _____ | Authorized Representative Signature: _____ |

| | | |
|---|---|--------|
| GlobTek, Inc. www.globtek.com 186 Veterans Drive, Northvale, NJ 07647 Tel. (201) 784-1000 Fax (201) 784-0111 | Drawing Title: NEMA 5-15P (TYPE B) 2 CONDUCTOR + GROUND PLUG with Cord Grip GREY to CUT BLUNT, GT Cable #136GY: 14 / 3 Conductors, 9.3mm OD, SJT FT3 VW-1, 60 Deg.C, 250V, BLK/WHT/GRN, Approvals: , 15240mm, GlobTek Cool Gray | |
| | Model No. Power Cord | |
| | Part No./Ordering No. 30110450F000-GY | Rev A1 |

CUSTOMIZED LENGTHS, COLORS, CABLE TYPES, TERMINATIONS/PLUGS/RECEPTACLES AVAILABLE UPON REQUEST. ADDITIONAL PLUG OPTIONS ARE AVAILABLE AT <https://www.globtek.com/connectors/> STANDARD PLUGS AND CONNECTORS CAN BE SEEN ONLINE AT <https://www.globtek.com/connectors/> ACTUAL CONNECTORS, OVERMOLDS, FERRITES MAY VARY SLIGHTLY FROM THE PICTURE BELOW DIMENSIONS ARE IN MM UNLESS SPECIFIED OTHERWISE

REVISION HISTORY

| REV | DESCRIPTION | SUB | DATE | APPROVED |
|-----|-----------------|-----|------------|----------|
| A1 | REDRAW | DR | 01/27/2022 | QA |
| A | INITIAL RELEASE | DR | 10/17/2002 | QA |

Cordset Information:

CordsetColor:GlobTek Cool Gray

Cord Length (mm):15240

NOTES:

| | | | |
|--|--|--|---------------|
| <p>GlobTek, Inc. www.globtek.com 186 Veterans Drive, Northvale, NJ 07647 Tel. (201) 784-1000 Fax (201) 784-0111</p> | <p>Drawing Title: NEMA 5-15P (TYPE B) 2 CONDUCTOR + GROUND PLUG with Cord Grip GREY to CUT BLUNT, GT Cable #136GY: 14 / 3 Conductors, 9.3mm OD, SJT FT3 VW-1, 60 Deg.C, 250V, BLK/WHT/GRN, Approvals: , 15240mm, GlobTek Cool Gray</p> | | |
| | <p>Model No. Power Cord</p> | | |
| | <table border="1"> <tr> <td data-bbox="302 207 1673 300"> <p>Part No./Ordering No. 30110450F000-GY</p> </td> <td data-bbox="1673 207 1935 300"> <p>Rev A1</p> </td> </tr> </table> | <p>Part No./Ordering No. 30110450F000-GY</p> | <p>Rev A1</p> |
| <p>Part No./Ordering No. 30110450F000-GY</p> | <p>Rev A1</p> | | |

CUSTOMIZED LENGTHS, COLORS, CABLE TYPES, TERMINATIONS/PLUGS/RECEPTACLES AVAILABLE UPON REQUEST. ADDITIONAL PLUG OPTIONS ARE AVAILABLE AT <https://www.globtek.com/connectors/> STANDARD PLUGS AND CONNECTORS CAN BE SEEN ONLINE AT <https://www.globtek.com/connectors/> ACTUAL CONNECTORS, OVERMOLDS, FERRITES MAY VARY SLIGHTLY FROM THE PICTURE BELOW DIMENSIONS ARE IN MM UNLESS SPECIFIED OTHERWISE

END A



END B

CABLE CUT BLUNT

| | | |
|---|---|---------------------------------------|
| GlobTek, Inc. www.globtek.com 186 Veterans Drive, Northvale, NJ 07647 Tel. (201) 784-1000 Fax (201) 784-0111 | Drawing Title: NEMA 5-15P (TYPE B) 2 CONDUCTOR + GROUND PLUG with Cord Grip GREY to CUT BLUNT, GT Cable #136GY: 14 / 3 Conductors, 9.3mm OD, SJT FT3 VW-1, 60 Deg.C, 250V, BLK/WHT/GRN, Approvals: , 15240mm, GlobTek Cool Gray | |
| | Model No. Power Cord | Part No./Ordering No. 30110450F000-GY |
| | | Rev A1 |

CUSTOMIZED LENGTHS, COLORS, CABLE TYPES, TERMINATIONS/PLUGS/RECEPTACLES AVAILABLE UPON REQUEST. ADDITIONAL PLUG OPTIONS ARE AVAILABLE AT <https://www.globtek.com/connectors/> STANDARD PLUGS AND CONNECTORS CAN BE SEEN ONLINE AT <https://www.globtek.com/connectors/> ACTUAL CONNECTORS, OVERMOLDS, FERRITES MAY VARY SLIGHTLY FROM THE PICTURE BELOW DIMENSIONS ARE IN MM UNLESS SPECIFIED OTHERWISE

| | | |
|--|---|---|
| End A Code:302CGGY Description:NEMA 5-15P (TYPE B) 2 CONDUCTOR + GROUND PLUG with Cord Grip GREY Rating (V):125 Rating (A):15.0 Gender:Male Overmolded:Yes | Cable Code:136GY Description:GT Cable #136GY: 14 / 3 Conductors, 9.3mm OD, SJT FT3 VW-1, 60 Deg.C, 250V, BLK/WHT/GRN, Approvals: Color:GlobTek Black Wire Gauge(AWG):14 Cond:3 Type:SJT FT3 VW-1 Temperature:60° C Amps:15 Volts:250 OD:9.3 ConductorsColors:BLK/WHT/GRN | End B Code:CUT BLUNT Description:CUT BLUNT Rating (V): Rating (A): Gender:N/A Overmolded:No |
|--|---|---|

Overall cable rating:15A 125VAC

| Plug Approvals | Cable Approvals | Connector Approvals |
|----------------|-----------------|---------------------|
|----------------|-----------------|---------------------|



Note: North American power cords are certified as assemblies of UL rated parts, so, the combination of UL certified plugs, connectors, and cables total up to a UL approved cordset or cable assembly

[LINK TO CERTs](#)
[Link to live Power Cords listing @ UL](#)
[Link to live Flexible Cord listing @ UL](#)



UL Note: North American power cords are certified as CSA assemblies of UL rated parts, so, the combination of UL or certified plugs, connectors, and cables total up to a UL or CUL approved cordset or cable assembly

[LINK TO CERTs](#)
[Link to live Power Cords listing @ UL](#)
[Link to live Flexible Cord listing @ UL](#)

UL
 CSA
 or
 CUL

AGENCY ONLINE DOCUMENTS <http://en.globtek.com/cordsets/>

| | | |
|---|---|---------------------------------------|
| GlobTek, Inc. www.globtek.com 186 Veterans Drive, Northvale, NJ 07647 Tel. (201) 784-1000 Fax (201) 784-0111 | Drawing Title: NEMA 5-15P (TYPE B) 2 CONDUCTOR + GROUND PLUG with Cord Grip GREY to CUT BLUNT, GT Cable #136GY: 14 / 3 Conductors, 9.3mm OD, SJT FT3 VW-1, 60 Deg.C, 250V, BLK/WHT/GRN, Approvals: , 15240mm, GlobTek Cool Gray | |
| | Model No. Power Cord | Part No./Ordering No. 30110450F000-GY |
| | | Rev A1 |

CUSTOMIZED LENGTHS, COLORS, CABLE TYPES, TERMINATIONS/PLUGS/RECEPTACLES AVAILABLE UPON REQUEST. ADDITIONAL PLUG OPTIONS ARE AVAILABLE AT <https://www.globtek.com/connectors/> STANDARD PLUGS AND CONNECTORS CAN BE SEEN ONLINE AT <https://www.globtek.com/connectors/> ACTUAL CONNECTORS, OVERMOLDS, FERRITES MAY VARY SLIGHTLY FROM THE PICTURE BELOW DIMENSIONS ARE IN MM UNLESS SPECIFIED OTHERWISE

| | |
|---|---|
| RoHS/RoHS3 Declaration | https://www.globtek.com/pdf/rohs_cert/01t30000002oxmKAAQ |
| REACH Declaration | https://www.globtek.com/pdf/iso_certificates/REACH.pdf |
| Conflict Minerals Declaration | https://www.globtek.com/pdf/conflict-minerals.pdf |
| Prop 65 Statement | https://en.globtek.com/prop-65-statement.pdf |
| CE.UKCA.Cord | https://globtek.secure.force.com/spec/ec_decl_product_model_family_incl_cord?id=01t30000002oxmK |
| IPXY rating is based on 3rd party testing and customers should check suitability and test system level IPXY rating before ordering. | |

PROPRIETARY INFORMATION

PROPRIETARY OF GLOBTEK, INC. ANY REPRODUCTION, DISCLOSURE OR USE OF THIS DRAWING, IN WHOLE OR IN PART, IS HEREBY PROHIBITED EXCEPT AS SPECIFIED IN WRITING BY GLOBTEK, INC. © GlobTek, Inc.

2011 - 2023

quest /10/09/2023 8:39:47 AM

| | | |
|---|---|--------|
| GlobTek, Inc. www.globtek.com 186 Veterans Drive, Northvale, NJ 07647 Tel. (201) 784-1000 Fax (201) 784-0111 | Drawing Title: NEMA 5-15P (TYPE B) 2 CONDUCTOR + GROUND PLUG with Cord Grip GREY to CUT BLUNT, GT Cable #136GY: 14 / 3 Conductors, 9.3mm OD, SJT FT3 VW-1, 60 Deg.C, 250V, BLK/WHT/GRN, Approvals: , 15240mm, GlobTek Cool Gray | |
| | Model No. Power Cord | |
| | Part No./Ordering No. 30110450F000-GY | Rev A1 |

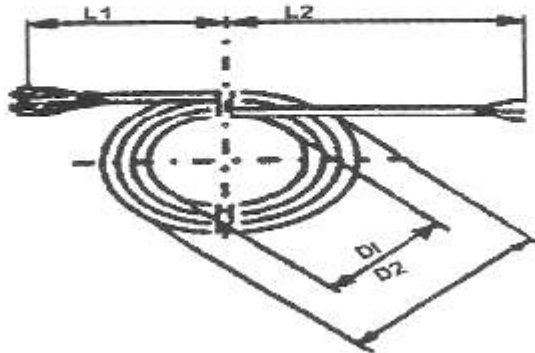
CUSTOMIZED LENGTHS, COLORS, CABLE TYPES, TERMINATIONS/PLUGS/RECEPTACLES AVAILABLE UPON REQUEST. ADDITIONAL PLUG OPTIONS ARE AVAILABLE AT <https://www.globtek.com/connectors/> STANDARD PLUGS AND CONNECTORS CAN BE SEEN ONLINE AT <https://www.globtek.com/connectors/> ACTUAL CONNECTORS, OVERMOLDS, FERRITES MAY VARY SLIGHTLY FROM THE PICTURE BELOW DIMENSIONS ARE IN MM UNLESS SPECIFIED OTHERWISE

Hanking: Coiled cable 1

Description: Coiled; secured with twist tie

Image:

| L1 (A End) | L2 (B End) | D1 / D2 |
|--------------|--------------|-------------|
| 30 ± 15 (cm) | 30 ± 15 (cm) | 25 ± 5 (cm) |



Notes/Modifications/Customizations (notes in this section supersede the values shown in the standard spec):