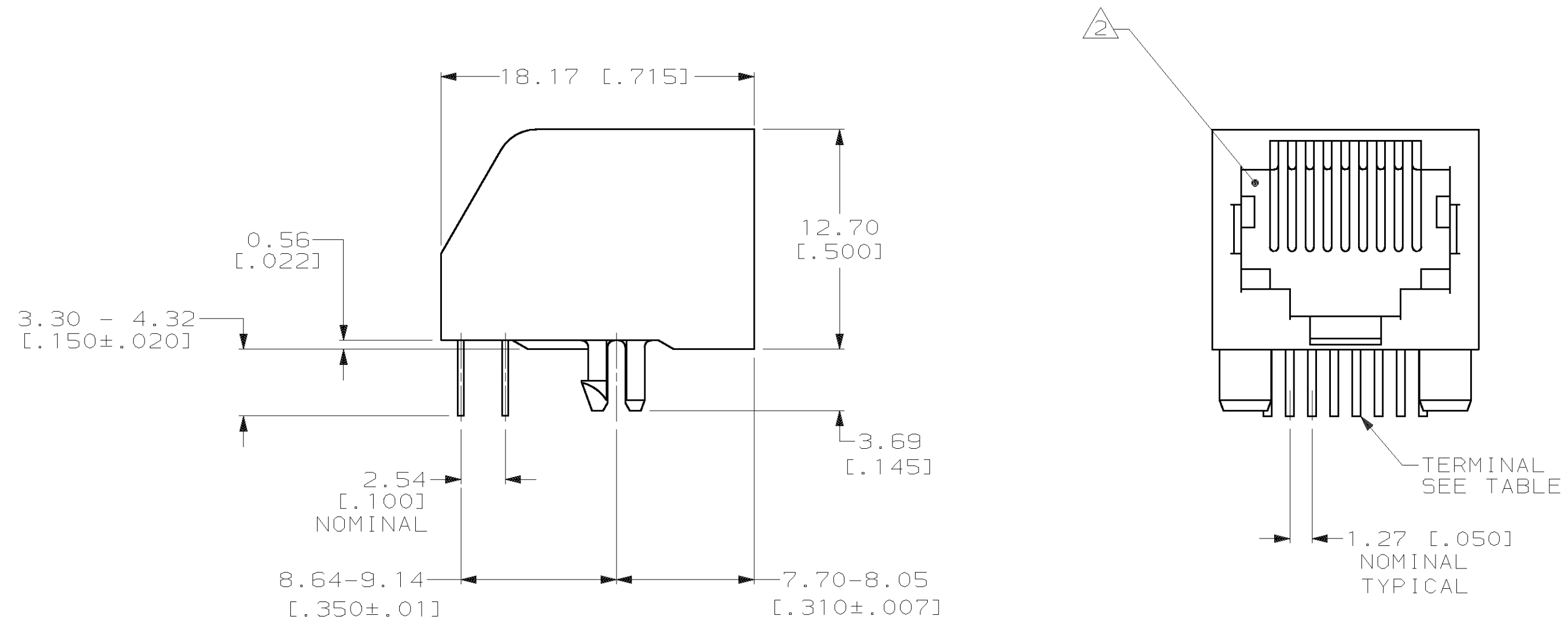
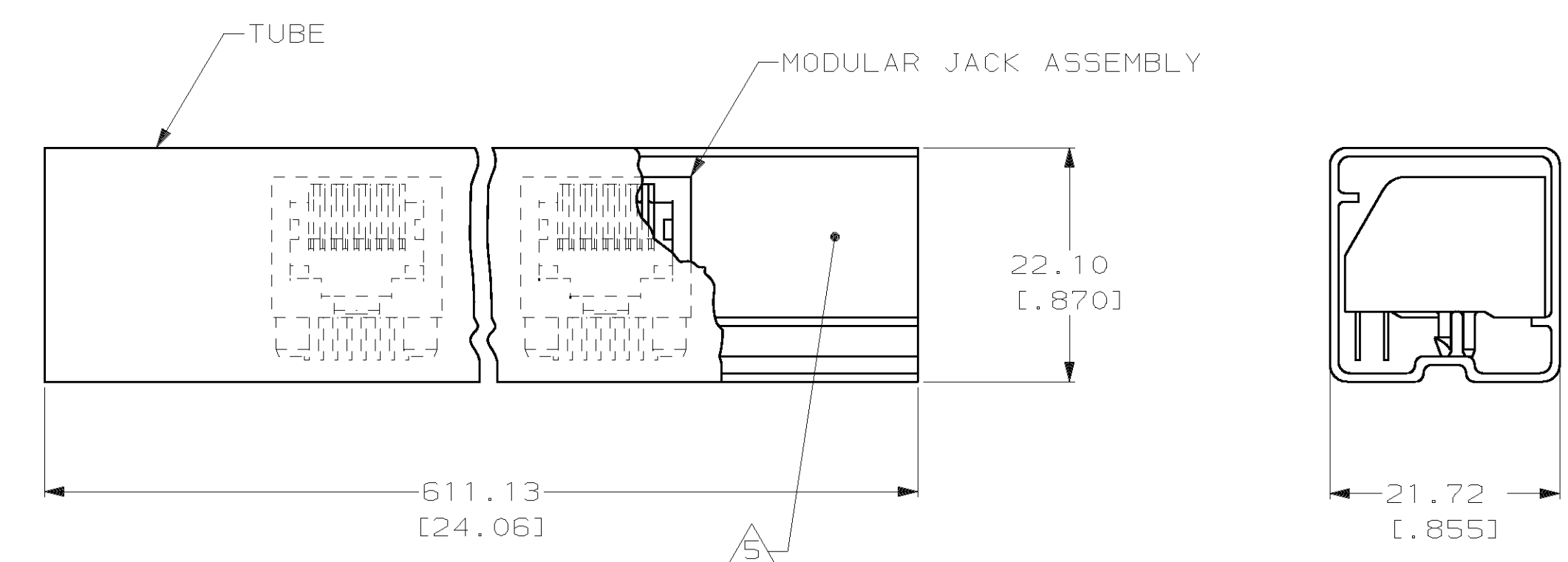
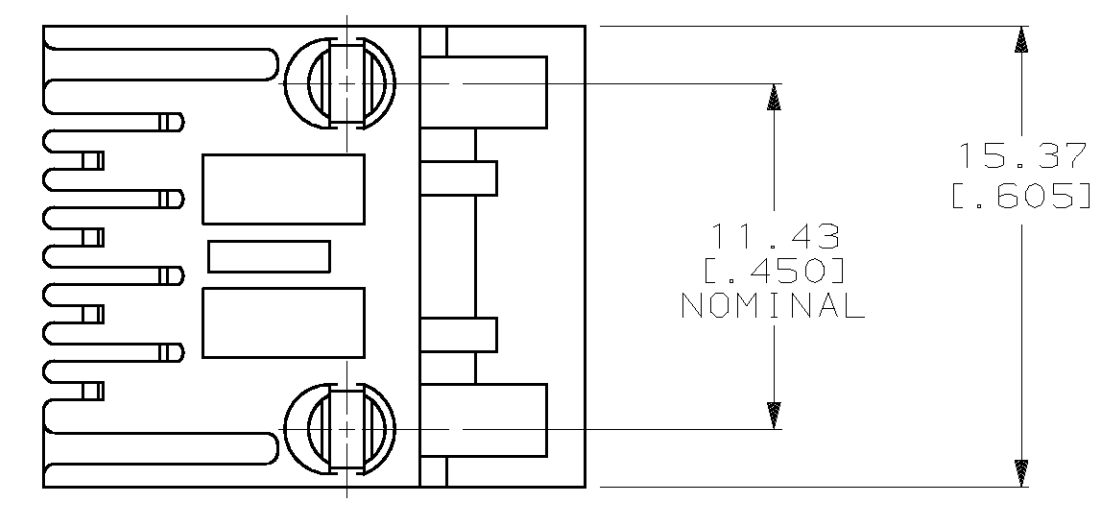


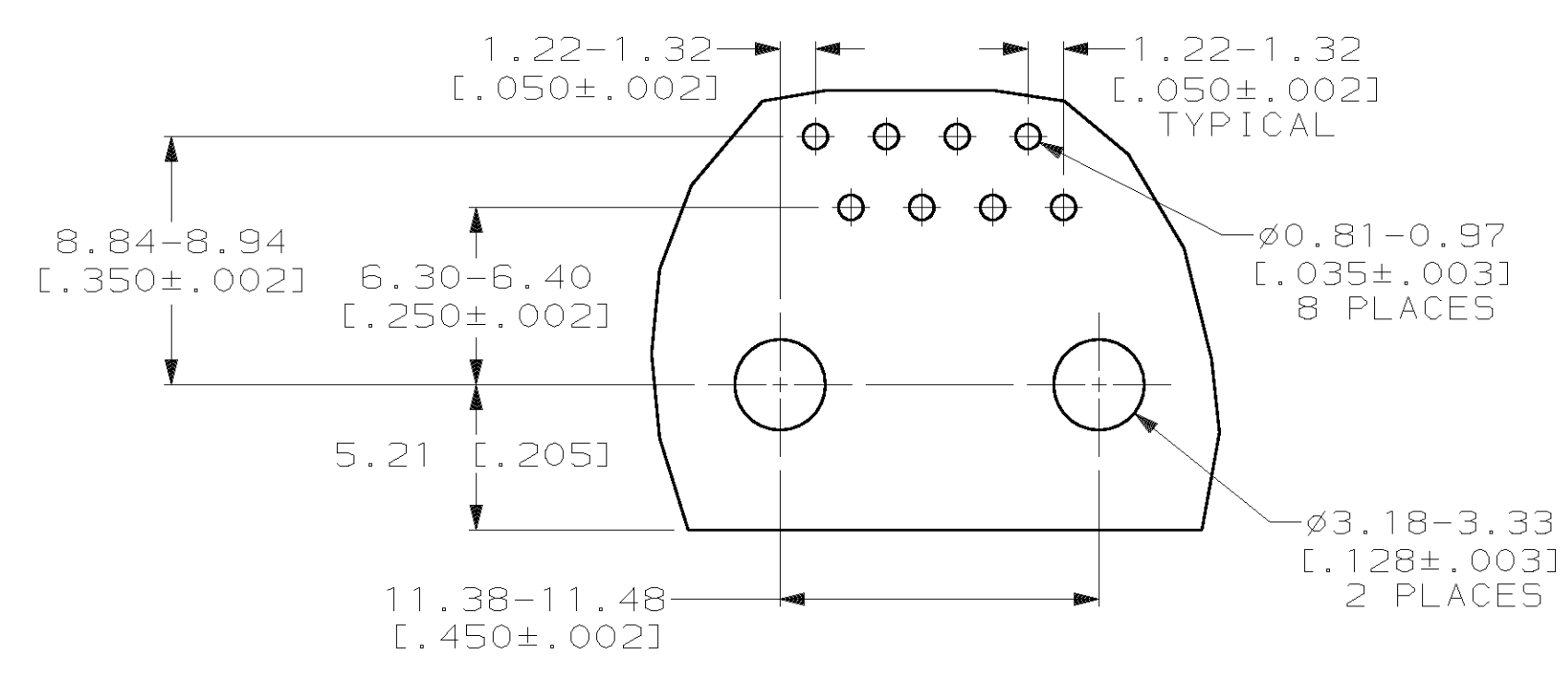
LOC	DIST	P	F	ZONE	LTR	DESCRIPTION	DATE	APPD
AA	22					H SUPERSEDED: -3; EC 0UF0-0013-01	14SEP01	DD



- ① MATERIAL:  
 HOUSING - PBT POLYESTER, SEE TABLE.  
 TERMINAL - 0.36 [.014] THICK PHOS BRONZE PLATED WITH 1.27µm [.000050] MINIMUM THICK HARD GOLD IN LOCALIZED GOLD PLATE AREA AND 2.03µm [.000080] MINIMUM THICK TIN LEAD IN SOLDER AREA OVER 1.27µm [.000050] THICK NICKEL UNDERPLATE.
- ② CAVITY CONFORMS TO FCC RULES AND REGULATIONS PART 68, SUBPART F.
- ③ DIMENSIONS ARE MAXIMUM UNLESS OTHERWISE SPECIFIED.
- ④ BULK PACKAGED IN A TRAY.
- ⑤ 37 ASSEMBLIES PACKAGED PER TUBE, SEE DETAIL B.



DETAIL B  
SCALE 2:1



SUGGESTED PRINTED CIRCUIT BOARD  
 MOUNTING HOLE LAYOUT  
 LAYOUT SHOWN FROM CIRCUIT SIDE OF BOARD

PACKAGED	HOUSING COLOR	TERMINALS REQUIRED	PART NUMBER
⑤	BLACK	8	555164-4
④	GRAY	8	555164-3
④	BLACK	8	555164-1

DO NOT SCALE PRINT. UNLESS SPECIFIED DIMENSIONS IN mm [INCHES] TOLERANCES ON:		DR 11-9-95 D. STRAUSSER		<b>AMP</b> AMP Incorporated Harrisburg, PA 17105-3608
2 PLC DEC ±		CHK 11-14-95 N. JONES		
3 PLC DEC ±		APPD 11-20-95 J. TONEY		
ANGLES ±		APPD 11-20-95 H. McGRATH		
MATERIAL	FINISH	PRODUCT SPEC	APPLICATION SPEC	NAME
①	①	108-1163	114-2048	MODULAR JACK ASSEMBLY, 8 POSITION, LOW PROFILE, RIGHT ANGLE, WITHOUT PANEL STOPS
SIZE	CAGE CODE	DRAWING NO	SCALE	
D	00779	©-555164	4:1	
WEIGHT		SHEET		
		1 OF 1		

THIS DRAWING IS A CONTROLLED DOCUMENT FOR AMP INCORPORATED. IT IS SUBJECT TO CHANGE AND THE CONTROLLING ENGINEERING ORGANIZATION SHOULD BE CONTACTED FOR THE LATEST REVISION.