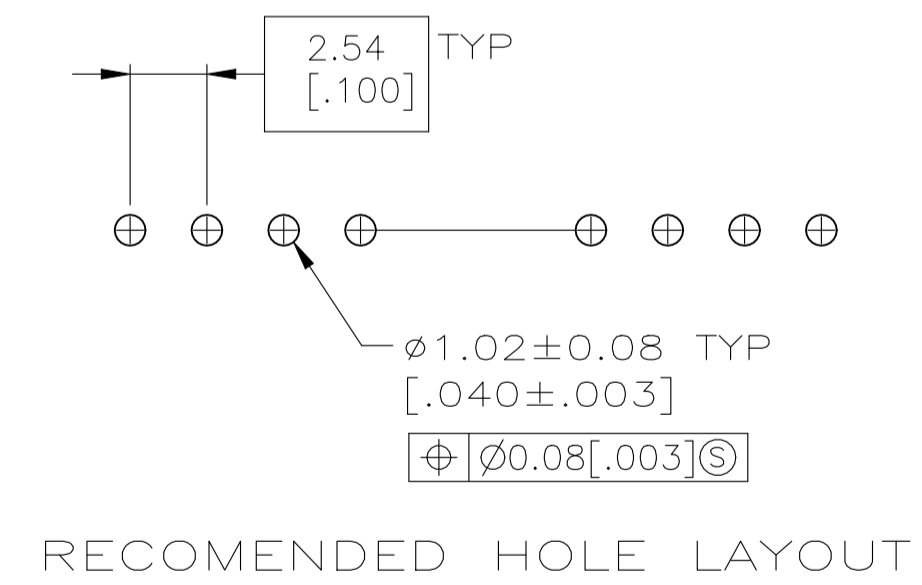
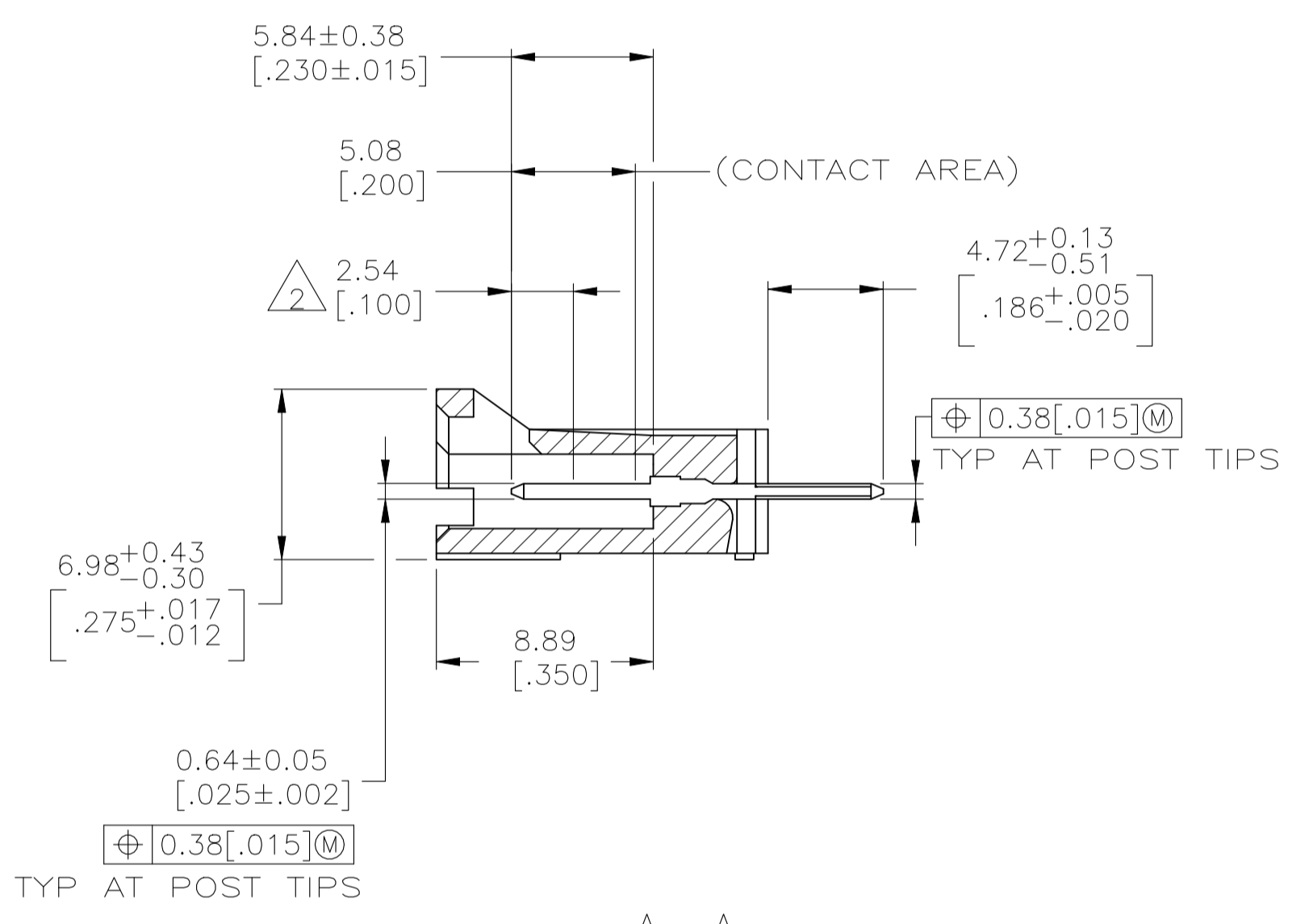
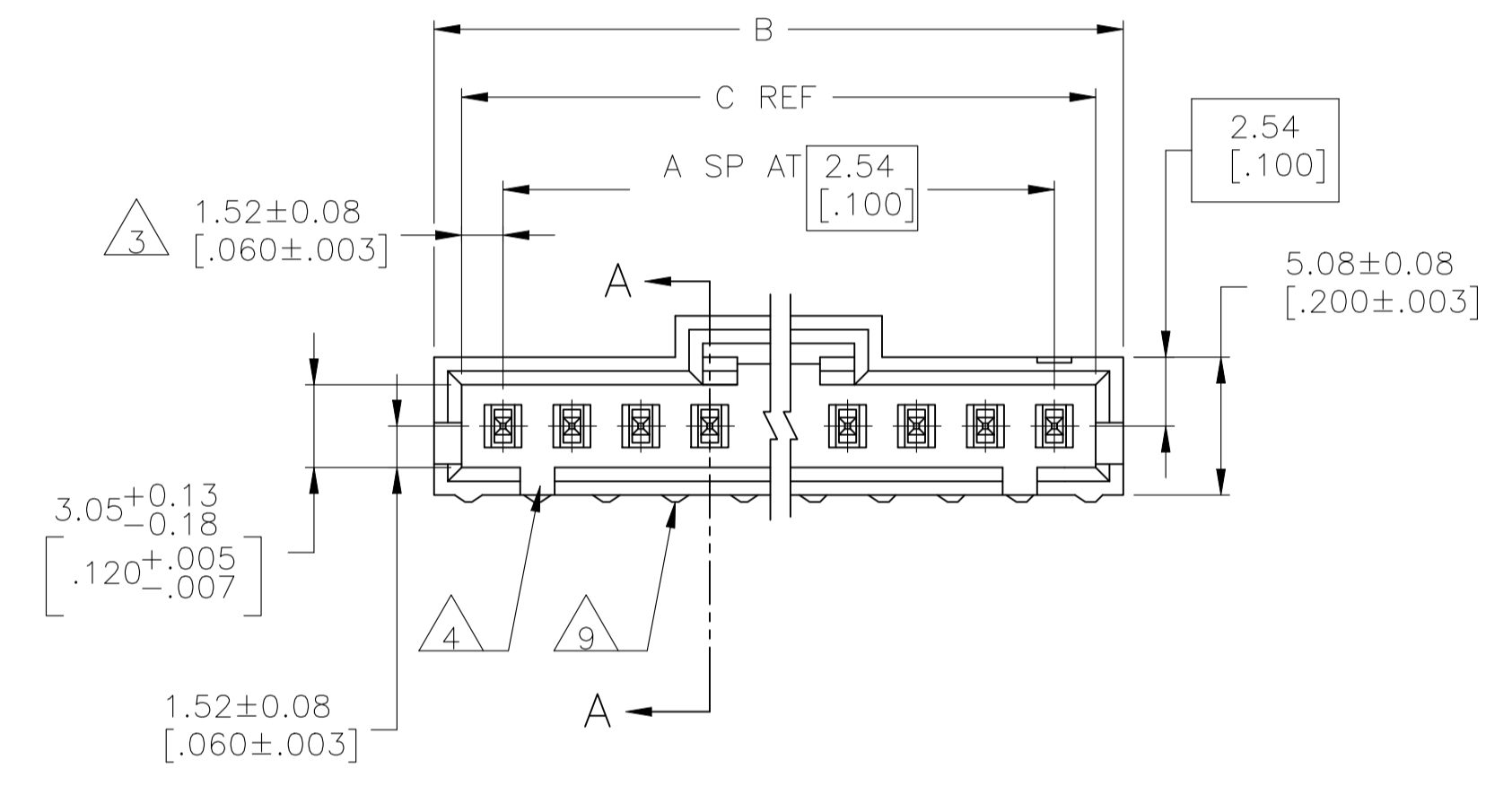
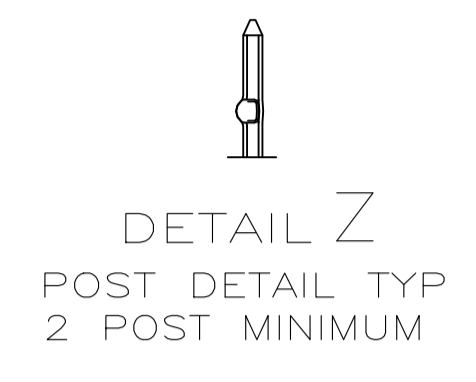
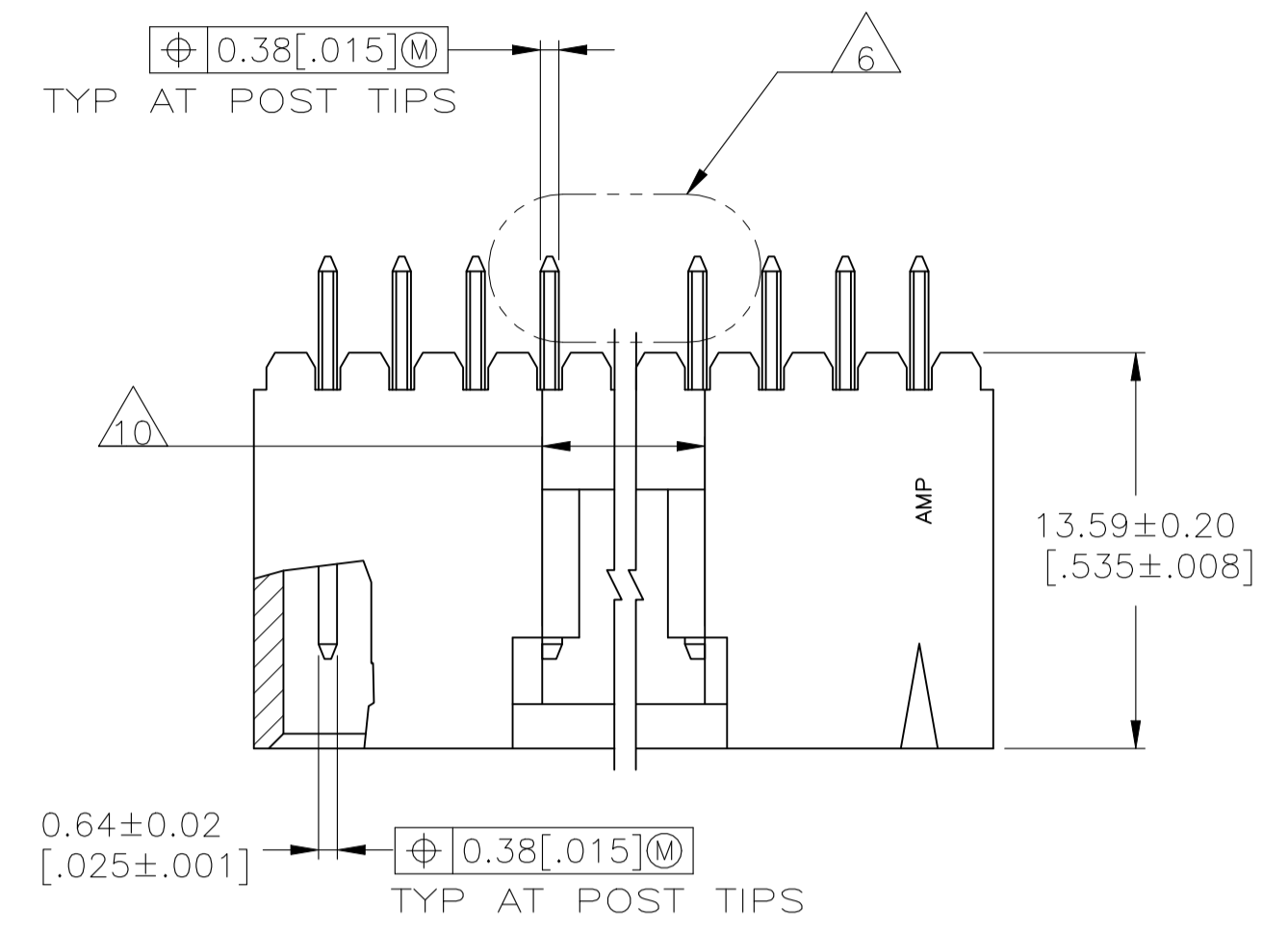


REVISIONS					
REV	DESCRIPTION	DATE	BY	APP'D	
E	REVISED PER ECO-20-001327	04JUN2020	SB	JO	

- 1 .00038[.000015] GOLD IN THE CONTACT AREA, .00254[.000100] MATTE TIN-LEAD ON REMAINDER OF CONTACT, ALL OVER .00127[.000050] NICKEL.
- 2 POINT OF MEASUREMENT FOR PLATING THICKNESS.
- 3 THE NOTED DIMENSIONS APPLY AT THE INTERSECTION OF THE POST AND THE HOUSING.
- 4 ON ASSEMBLIES WITH FOUR OR MORE POSITIONS, TWO POLARIZATION SLOTS.  
ON ASSEMBLIES WITH TWO OR THREE POSITIONS, ONE POLARIZATION SLOT.
- 5 MATERIAL: HOUSING: FLAME RETARDANT LCP, COLOR - BLACK.  
CONTACTS: BRASS.
- 6 SELECT POST TAILS FORMED TO PROVIDE CONNECTOR HOLD DOWN UNTIL SOLDERED. CONFIGURATION ACCEPTS 0.69[.027]-2.03[.080] THICK PRINTED CIRCUIT BOARD. ( SEE DETAIL Z ).
- 7 .00038[.000015] GOLD IN THE CONTACT AREA, .00254[.000100] MATTE TIN ON REMAINDER OF CONTACT, ALL OVER .00127[.000050] NICKEL.
- 8 HIGH TEMPERATURE CONFIGURATION
- 9 STANDOFFS NOT PRESENT ON UNDERSIDE OF ASSEMBLY
- 10 0.25 [.010] RECESS PERMISSIBLE IN THIS AREA FOR MOLD SHUT OFF



8	9	7	41.15 [1.620]	43.05 [1.695]	15	16	5-104966-1
8		1	41.15 [1.620]	43.05 [1.695]	15	16	104966-1
REMARKS	PLATING	C	B	A	NO. OF POSN		PART NO.

THIS DRAWING IS A CONTROLLED DOCUMENT.		DIN E. BRANDBERG 16-AUG-96		TE Connectivity	
DIMENSIONS: mm [INCHES]		TOLERANCES UNLESS OTHERWISE SPECIFIED:		APVD J. GESFORD 16-AUG-96	
0. PLC ± -		1. PLC ± -		NAME	
2. PLC ± 0.13[.005]		3. PLC ± -		HDR ASSY, VERT, SINGLE ROW	
4. PLC ± -		ANGLES ± -		108-25034	
MATERIAL		FINISH SEE TABLE		APPLICATION SPEC	
5				114-25026	
		WEIGHT		SIZE CAGE CODE DRAWING NO	
		-		A1 00779 C=104966	
		CUSTOMER DRAWING		SCALE 4:1 SHEET 1 OF 1 REV E	