

# INA3221-Q1 AEC-Q100, 26-V, Triple Channel, 13-Bit, I<sup>2</sup>C Output Current and Voltage Monitor With Alerts

## 1 Features

- Qualified for automotive applications
- AEC-Q100 qualified with the following results:
  - Device temperature grade 1: –40 °C to 125 °C
- **Functional Safety-Capable**
  - [Documentation available to aid functional safety system design](#)
- Senses bus voltages from 0 V to 26 V
- Reports shunt and bus voltage
- High accuracy:
  - Offset voltage: ±80 μV (maximum)
  - Gain error: 0.25% (maximum)
- Configurable averaging options
- Four programmable addresses
- Programmable alert and warning outputs
- Power-supply operation: 2.7 V to 5.5 V

## 2 Applications

- Infotainment
- Rear-seat entertainment
- Digital clusters
- Electronic control units

## 3 Description

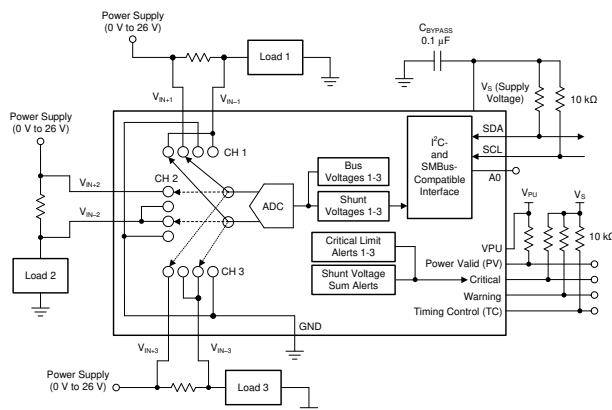
The INA3221-Q1 is a three-channel, high-side current and bus voltage monitor with an I<sup>2</sup>C- and SMBUS-compatible interface. The INA3221-Q1 monitors both shunt voltage drops and bus supply voltages, in addition to having programmable conversion times and averaging modes for these signals. The INA3221-Q1 offers both critical and warning alerts to detect multiple programmable out-of-range conditions for each channel.

The INA3221-Q1 senses current on buses that can vary from 0 V to 26 V. The device is powered from a single 2.7-V to 5.5-V supply, and draws 350 μA (typ) of supply current. The INA3221-Q1 is specified over the operating temperature range of –40 °C to +125 °C. The I<sup>2</sup>C- and SMBUS-compatible interface features four programmable addresses.

### Device Information<sup>(1)</sup>

PART NUMBER	PACKAGE	BODY SIZE (NOM)
INA3221-Q1	VQFN (16)	4.00 mm x 4.00 mm

- (1) For all available packages, see the package option addendum at the end of the datasheet.



**Typical Application**



## Table of Contents

<b>1 Features</b> .....	1	8.5 Programming.....	20
<b>2 Applications</b> .....	1	8.6 Register Maps.....	24
<b>3 Description</b> .....	1	<b>9 Application and Implementation</b> .....	37
<b>4 Revision History</b> .....	2	9.1 Application Information.....	37
<b>5 Device Comparison Table</b> .....	3	9.2 Typical Application.....	37
<b>6 Pin Configuration and Functions</b> .....	3	<b>10 Power Supply Recommendations</b> .....	39
<b>7 Specifications</b> .....	4	<b>11 Layout</b> .....	40
7.1 Absolute Maximum Ratings.....	4	11.1 Layout Guidelines.....	40
7.2 ESD Ratings.....	4	11.2 Layout Example.....	40
7.3 Recommended Operating Conditions.....	4	<b>12 Device and Documentation Support</b> .....	41
7.4 Thermal Information.....	4	12.1 Device Support.....	41
7.5 Electrical Characteristics.....	5	12.2 Documentation Support.....	41
7.6 Typical Characteristics.....	7	12.3 Receiving Notification of Documentation Updates.....	41
<b>8 Detailed Description</b> .....	10	12.4 Support Resources.....	41
8.1 Overview.....	10	12.6 Electrostatic Discharge Caution.....	41
8.2 Functional Block Diagram.....	10	12.7 Glossary.....	41
8.3 Feature Description.....	11	<b>13 Mechanical, Packaging, and Orderable Information</b> .....	41
8.4 Device Functional Modes.....	16		

## 4 Revision History

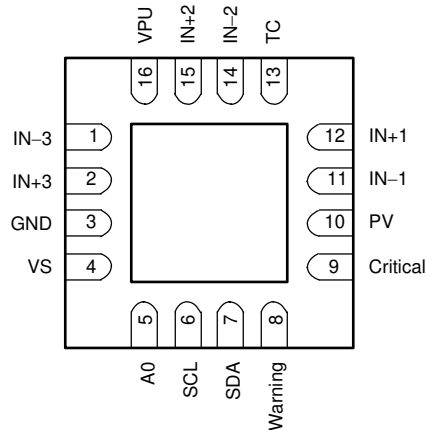
NOTE: Page numbers for previous revisions may differ from page numbers in the current version.

<b>Changes from Revision B (March 2016) to Revision C (March 2021)</b>	<b>Page</b>
• Updated the numbering format for tables, figures, and cross-references throughout the document.....	1
• Added Functional Safety-Capable bullets.....	1
<hr/>	
<b>Changes from Revision A (March 2016) to Revision B (March 2016)</b>	<b>Page</b>
• Changed HBM value from $\pm 2000$ V to $\pm 2500$ V in <i>ESD Ratings</i> table .....	4
<hr/>	
<b>Changes from Revision * (March 2016) to Revision A (March 2016)</b>	<b>Page</b>
• Changed from product preview to production data.....	1

## 5 Device Comparison Table

DEVICE	DESCRIPTION
<a href="#">INA226-Q1</a>	Automotive, 36-V, Ultrahigh Accuracy, Low- or High-Side, I <sup>2</sup> C Out, Current and Power Monitor With Alert
<a href="#">INA220-Q1</a>	Automotive, 26-V, Bidirectional, Zero-Drift, Low- or High-Side, I <sup>2</sup> C Out, Current and Power Monitor
<a href="#">INA212-Q1</a>	Automotive, 26-V, Bidirectional, Zero-Drift, Precision, Low- or High-Side, Voltage Out, Current Sense Amplifier
<a href="#">INA282-Q1</a>	Automotive, 80-V, Bidirectional, High-Accuracy, Low- or High-Side, Voltage Out, Current Shunt Monitor

## 6 Pin Configuration and Functions



**Figure 6-1. RGV Package 16-Pin VQFN Top View**

**Table 6-1. Pin Functions**

PIN		I/O	DESCRIPTION
NAME	NO.		
A0	5	Digital input	Address pin. Connect to GND, SCL, SDA, or V <sub>S</sub> . <a href="#">Table 8-1</a> shows pin settings and corresponding addresses.
Critical	9	Digital output	Conversion-triggered critical alert; open-drain output.
GND	3	Analog	Ground
IN-1	11	Analog input	Connect to load side of the channel 1 shunt resistor. Bus voltage is the measurement from this pin to ground.
IN+1	12	Analog input	Connect to supply side of the channel 1 shunt resistor.
IN-2	14	Analog input	Connect to load side of the channel 2 shunt resistor. Bus voltage is the measurement from this pin to ground.
IN+2	15	Analog input	Connect to supply side of the channel 2 shunt resistor.
IN-3	1	Analog input	Connect to load side of the channel 3 shunt resistor. Bus voltage is the measurement from this pin to ground.
IN+3	2	Analog input	Connect to supply side of the channel 3 shunt resistor.
PV	10	Digital output	Power valid alert; open-drain output.
SCL	6	Digital input	Serial bus clock line; open-drain input.
SDA	7	Digital I/O	Serial bus data line; open-drain input/output.
TC	13	Digital output	Timing control alert; open-drain output.
VPU	16	Analog input	Pull-up supply voltage used to bias power valid output circuitry.
VS	4	Analog	Power supply, 2.7 V to 5.5 V.
Warning	8	Digital output	Averaged measurement warning alert; open-drain output.

## 7 Specifications

### 7.1 Absolute Maximum Ratings

over operating free-air temperature range (unless otherwise noted)<sup>(1)</sup>

		MIN	MAX	UNIT	
Voltage	Supply, $V_S$		6	V	
Analog inputs	IN+, IN–	Differential $(V_{IN+}) - (V_{IN-})$ <sup>(2)</sup>	–26	26	V
		Common-mode $(V_{IN+}) + (V_{IN-}) / 2$	–0.3	26	
	VPU		26		
Digital outputs	Critical, warning, power valid		6	V	
	Timing control		26		
Serial bus	Data line, SDA	(GND – 0.3)	6	V	
	Clock line, SCL	(GND – 0.3)	$(V_S + 0.3)$		
Current	Input, into any pin		5	mA	
	Open-drain, digital output		10		
Temperature	Operating, $T_A$	–40	125	°C	
	Junction, $T_J$		150		
	Storage, $T_{stg}$	–65	150		

- Stresses beyond those listed under *Absolute Maximum Ratings* may cause permanent damage to the device. These are stress ratings only, which do not imply functional operation of the device at these or any other conditions beyond those indicated under *Recommended Operating Conditions*. Exposure to absolute-maximum-rated conditions for extended periods may affect device reliability.
- $V_{IN+}$  and  $V_{IN-}$  can have a differential voltage of –26 V to +26 V; however, the voltage at these pins must not exceed the range of –0.3 V to +26 V.

### 7.2 ESD Ratings

		VALUE	UNIT
$V_{(ESD)}$	Electrostatic discharge	Human-body model (HBM), per AEC Q100-002 <sup>(1)</sup>	±2500
		Charged-device model (CDM), per AEC Q100-011	±1000

- AEC Q100-002 indicates that HBM stressing shall be in accordance with the ANSI/ESDA/JEDEC JS-001 specification.

### 7.3 Recommended Operating Conditions

over operating free-air temperature range (unless otherwise noted)

	MIN	NOM	MAX	UNIT
Operating supply voltage	2.7		5.5	V
Operating temperature, $T_A$	–40		125	°C

### 7.4 Thermal Information

THERMAL METRIC <sup>(1)</sup>		INA3221-Q1	UNIT
		RGV (VQFN)	
		16 PINS	
$R_{\theta JA}$	Junction-to-ambient thermal resistance	36.5	°C/W
$R_{\theta JC(top)}$	Junction-to-case (top) thermal resistance	42.7	°C/W
$R_{\theta JB}$	Junction-to-board thermal resistance	14.7	°C/W
$\Psi_{JT}$	Junction-to-top characterization parameter	0.5	°C/W
$\Psi_{JB}$	Junction-to-board characterization parameter	14.8	°C/W

THERMAL METRIC <sup>(1)</sup>		INA3221-Q1		UNIT
		RGV (VQFN)		
		16 PINS		
$R_{\theta JC(bot)}$	Junction-to-case (bottom) thermal resistance	3.3		°C/W

(1) For more information about traditional and new thermal metrics, see the *Semiconductor and IC Package Thermal Metrics* application report (SPRA953).

## 7.5 Electrical Characteristics

at  $T_A = 25^\circ\text{C}$ ,  $V_S = 3.3\text{ V}$ ,  $V_{IN+} = 12\text{ V}$ ,  $V_{SHUNT} = (V_{IN+}) - (V_{IN-}) = 0\text{ mV}$ , and  $V_{BUS} = V_{IN-} = 12\text{ V}$  (unless otherwise noted)

PARAMETER		TEST CONDITIONS	MIN	TYP	MAX	UNIT
<b>INPUT</b>						
$V_{SHUNT}$	Shunt voltage input		-163.84		163.8	mV
$V_{BUS}$	Bus voltage input		0		26	V
CMR	Common-mode rejection	$V_{IN+} = 0\text{ V to }+26\text{ V}$	110	120		dB
$V_{OS}$	Shunt offset voltage, RTI <sup>(1)</sup>	$T_A = -40^\circ\text{C to }+125^\circ\text{C}$ vs power supply, $V_S = 2.7\text{ V to }5.5\text{ V}$		$\pm 40$	$\pm 80$	$\mu\text{V}$
PSRR				15		
$V_{OS}$	Bus offset voltage, RTI <sup>(1)</sup>	$T_A = -40^\circ\text{C to }+125^\circ\text{C}$ vs power supply		$\pm 8$	$\pm 16$	mV
PSRR				0.5		80
$I_{IN+}$	Input bias current at IN+			10		$\mu\text{A}$
$I_{IN-}$	Input bias current at IN-			10    670		$\mu\text{A}    \text{k}\Omega$
	Input leakage <sup>(2)</sup>	(IN+ pin) + (IN- pin), power-down mode		0.1	0.5	$\mu\text{A}$
<b>DC ACCURACY</b>						
	ADC native resolution			13		Bits
1-LSB step size	Shunt voltage			40		$\mu\text{V}$
	Bus voltage			8		mV
Shunt voltage gain error		$T_A = -40^\circ\text{C to }+125^\circ\text{C}$		0.1%	0.25%	
				10	50	ppm/°C
Bus voltage gain error		$T_A = -40^\circ\text{C to }+125^\circ\text{C}$		0.1%	0.25%	
				10	50	ppm/°C
DNL	Differential nonlinearity			$\pm 0.1$		LSB
$t_{CONVERT}$	ADC conversion time	CT bit = 000		140	154	$\mu\text{s}$
		CT bit = 001		204	224	
		CT bit = 010		332	365	
		CT bit = 011		588	646	
		CT bit = 100		1.1	1.21	ms
		CT bit = 101		2.116	2.328	
		CT bit = 110		4.156	4.572	
		CT bit = 111		8.244	9.068	
<b>SMBus</b>						
	SMBus timeout <sup>(3)</sup>			28	35	ms
<b>DIGITAL INPUT/OUTPUT</b>						
$C_I$	Input capacitance			3		pF
	Leakage input current	$0\text{ V} \leq V_{IN} \leq V_S$		0.1	1	$\mu\text{A}$
$V_{IH}$	High-level input voltage		0.7 ( $V_S$ )		6	V
$V_{IL}$	Low-level input voltage		-0.5		0.3 ( $V_S$ )	V
$V_{OL}$	Low-level output voltage	SDA, critical, warning, PV	$V_S > +2.7\text{ V}$ , $I_{OL} = 3\text{ mA}$	0	0.4	V
		TC	$V_S > +2.7\text{ V}$ , $I_{OL} = 1.2\text{ mA}$	0	0.4	
$V_{hys}$	Hysteresis voltage			500		mV
<b>POWER SUPPLY</b>						

**INA3221-Q1**

SBOS776C – MARCH 2016 – REVISED MARCH 2021

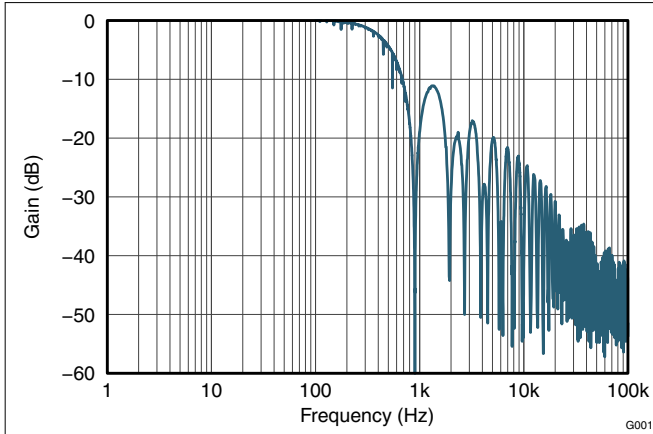
 at  $T_A = 25^\circ\text{C}$ ,  $V_S = 3.3\text{ V}$ ,  $V_{IN+} = 12\text{ V}$ ,  $V_{SHUNT} = (V_{IN+}) - (V_{IN-}) = 0\text{ mV}$ , and  $V_{BUS} = V_{IN-} = 12\text{ V}$  (unless otherwise noted)

PARAMETER	TEST CONDITIONS	MIN	TYP	MAX	UNIT
Quiescent current			350	450	$\mu\text{A}$
	Power-down mode		0.5	2	
Power-on reset threshold			2		V

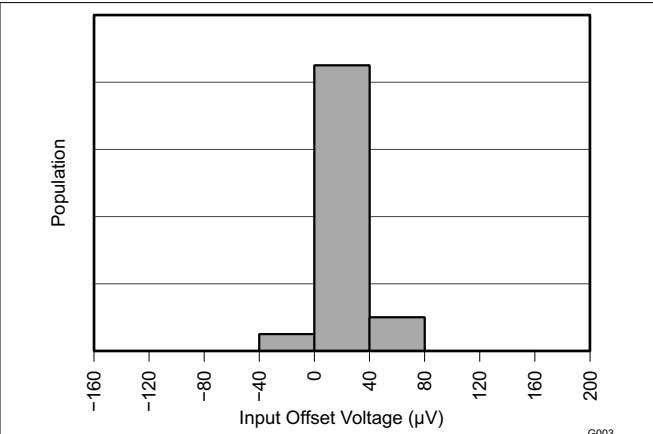
- (1) RTI = Referred-to-input.
- (2) Input leakage is positive (current flows into the pin) for the conditions shown at the top of this table. Negative leakage currents can occur under different input conditions.
- (3) SMBus timeouts in the INA3221-Q1 reset the interface whenever SCL is low for more than 28 ms.

## 7.6 Typical Characteristics

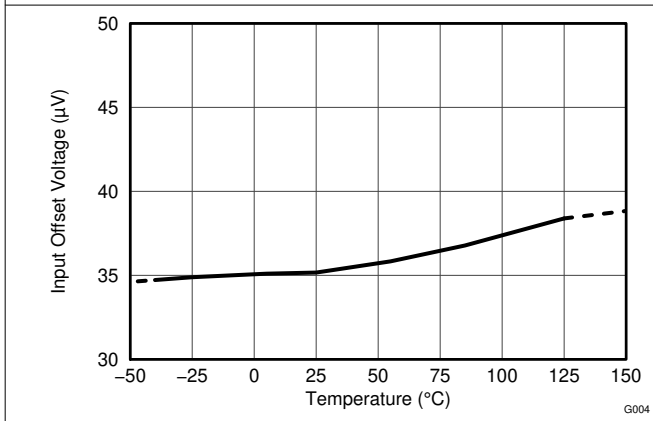
at  $T_A = 25\text{ }^\circ\text{C}$ ,  $V_S = 3.3\text{ V}$ ,  $V_{IN+} = 12\text{ V}$ ,  $V_{SHUNT} = (V_{IN+}) - (V_{IN-}) = 0\text{ mV}$ , and  $V_{BUS} = V_{IN-} = 12\text{ V}$  (unless otherwise noted)



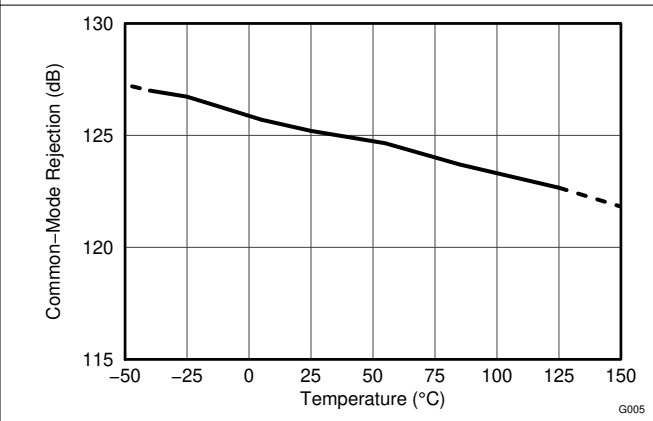
**Figure 7-1. Frequency Response**



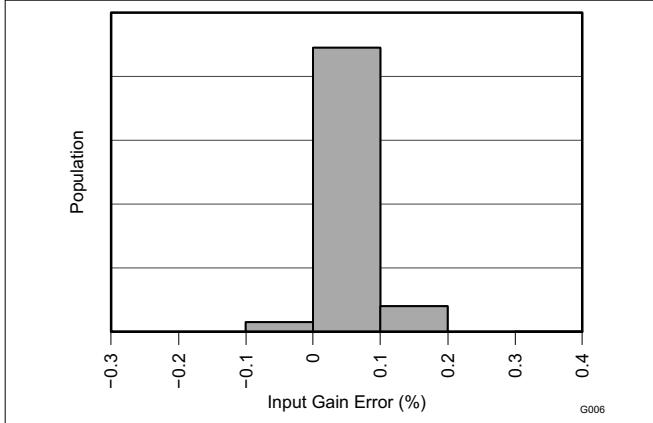
**Figure 7-2. Shunt Input Offset Voltage Production Distribution**



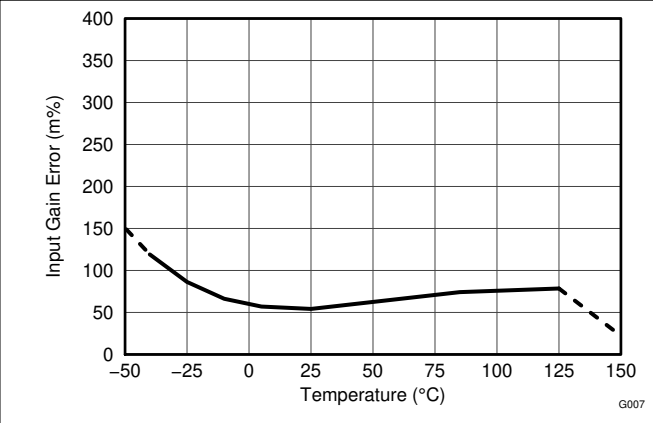
**Figure 7-3. Shunt Input Offset Voltage vs. Temperature**



**Figure 7-4. Shunt Input Common-Mode Rejection Ratio vs. Temperature**



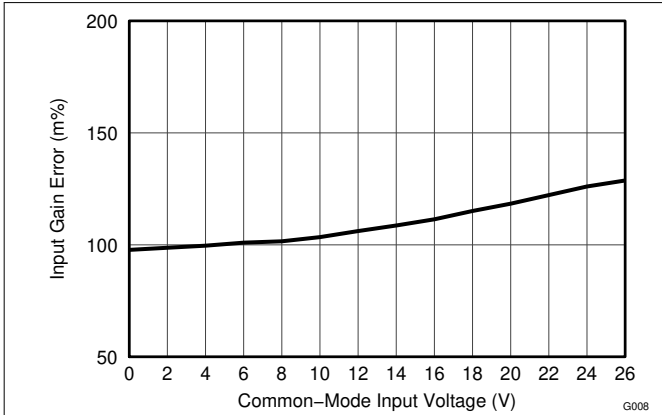
**Figure 7-5. Shunt Input Gain Error Production Distribution**



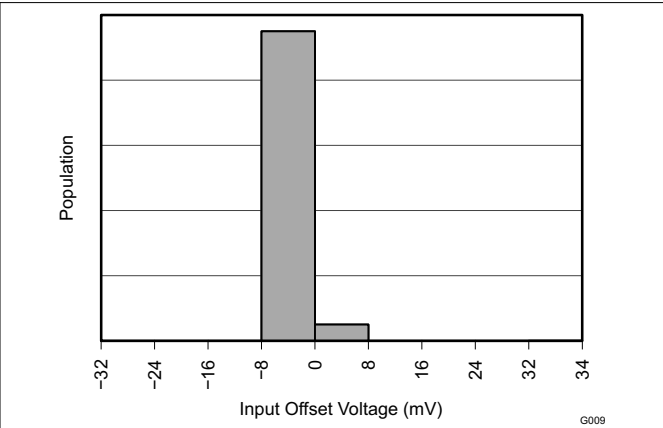
**Figure 7-6. Shunt Input Gain Error vs. Temperature**

### 7.6 Typical Characteristics (continued)

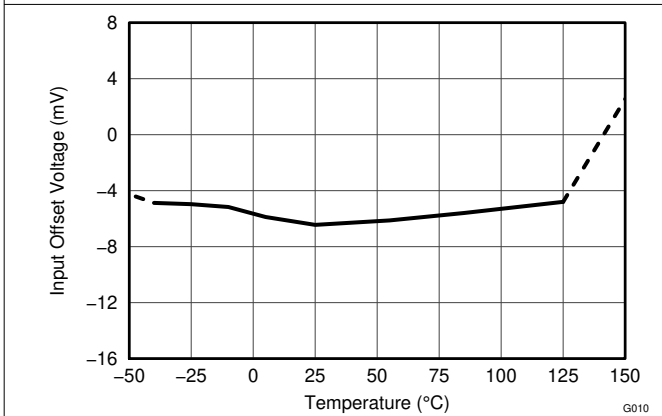
at  $T_A = 25^\circ\text{C}$ ,  $V_S = 3.3\text{ V}$ ,  $V_{IN+} = 12\text{ V}$ ,  $V_{SHUNT} = (V_{IN+}) - (V_{IN-}) = 0\text{ mV}$ , and  $V_{BUS} = V_{IN-} = 12\text{ V}$  (unless otherwise noted)



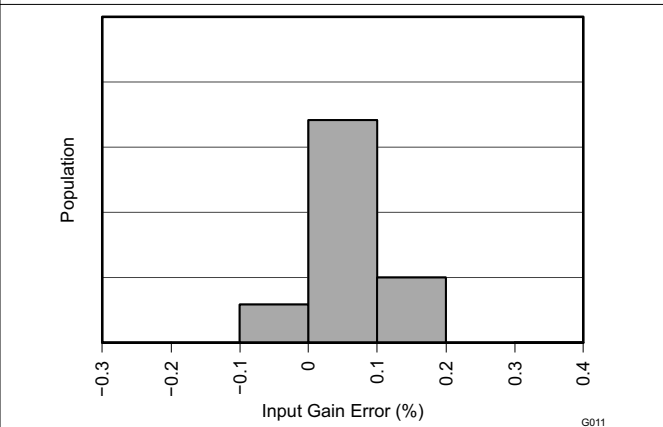
**Figure 7-7. Shunt Input Gain Error vs. Common-Mode Voltage**



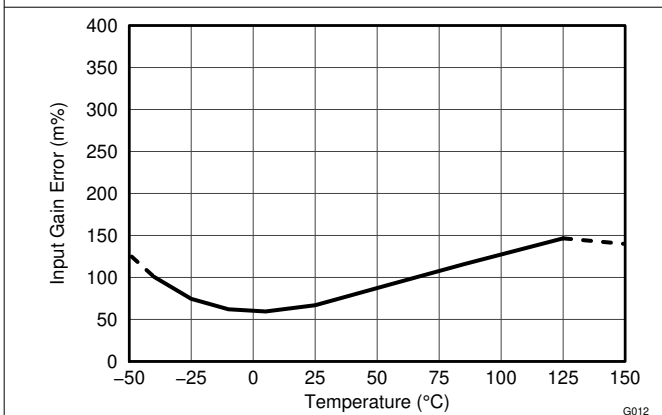
**Figure 7-8. Bus Input Offset Voltage Production Distribution**



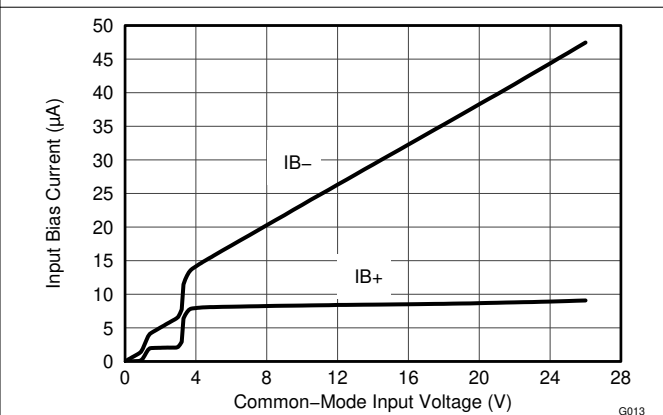
**Figure 7-9. Bus Input Offset Voltage vs. Temperature**



**Figure 7-10. Bus Input Gain Error Production Distribution**



**Figure 7-11. Bus Input Gain Error vs. Temperature**



**Figure 7-12. Input Bias Current vs. Common-Mode Voltage**



## 7.6 Typical Characteristics (continued)

at  $T_A = 25\text{ }^\circ\text{C}$ ,  $V_S = 3.3\text{ V}$ ,  $V_{IN+} = 12\text{ V}$ ,  $V_{SHUNT} = (V_{IN+}) - (V_{IN-}) = 0\text{ mV}$ , and  $V_{BUS} = V_{IN-} = 12\text{ V}$  (unless otherwise noted)

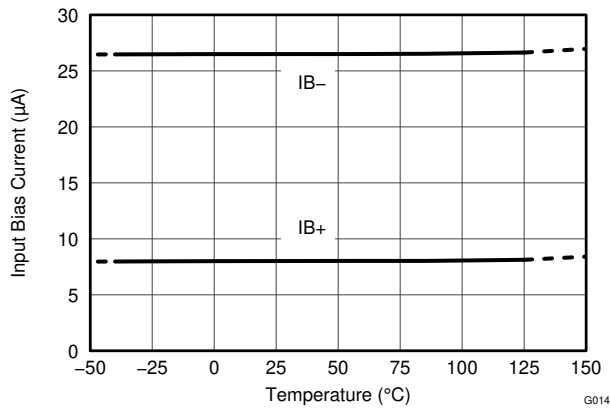


Figure 7-13. Input Bias Current vs. Temperature

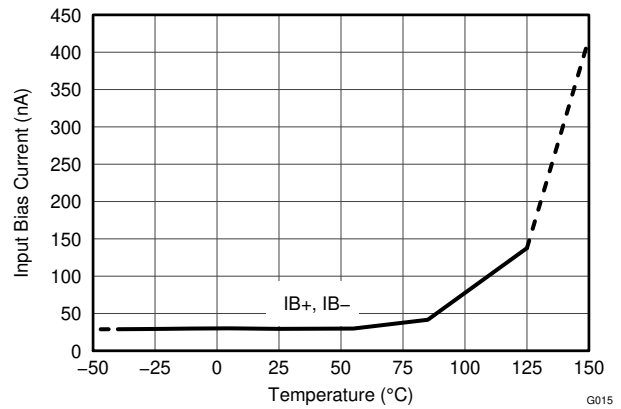


Figure 7-14. Input Bias Current vs. Temperature (Shutdown)

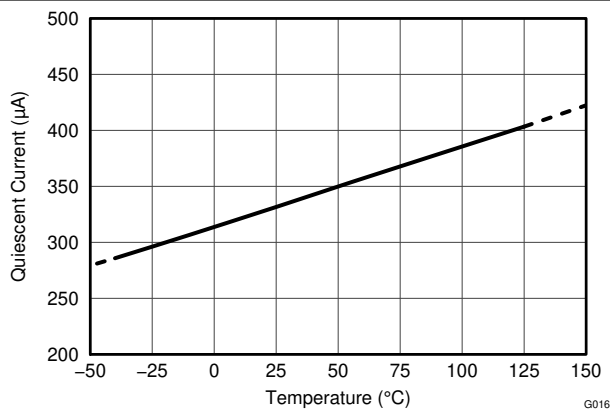


Figure 7-15. Active  $I_Q$  vs. Temperature

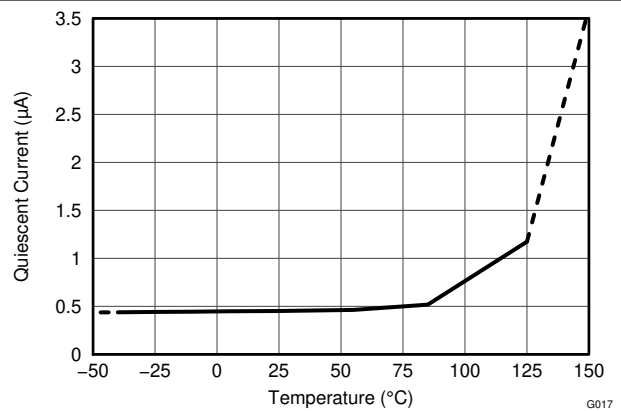


Figure 7-16. Shutdown  $I_Q$  vs. Temperature

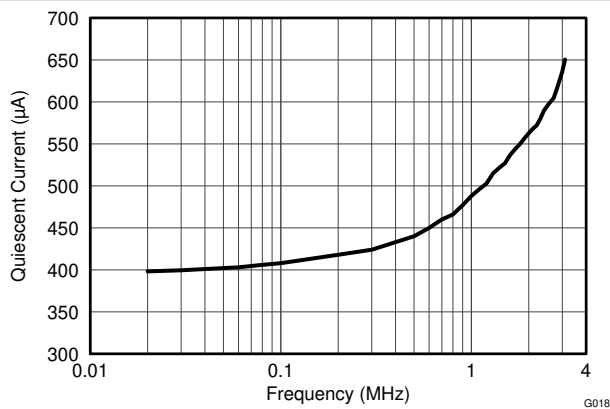


Figure 7-17. Active  $I_Q$  vs. I<sup>2</sup>C Clock Frequency

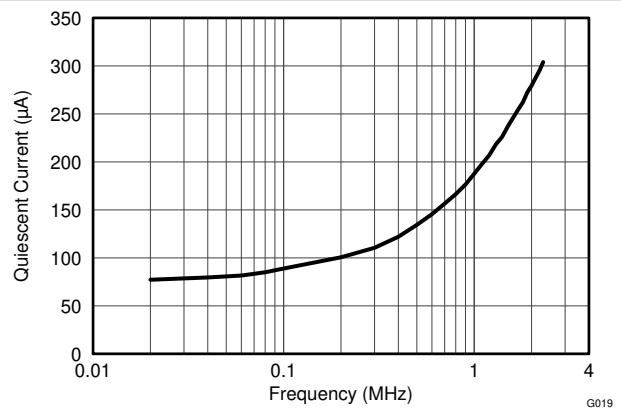


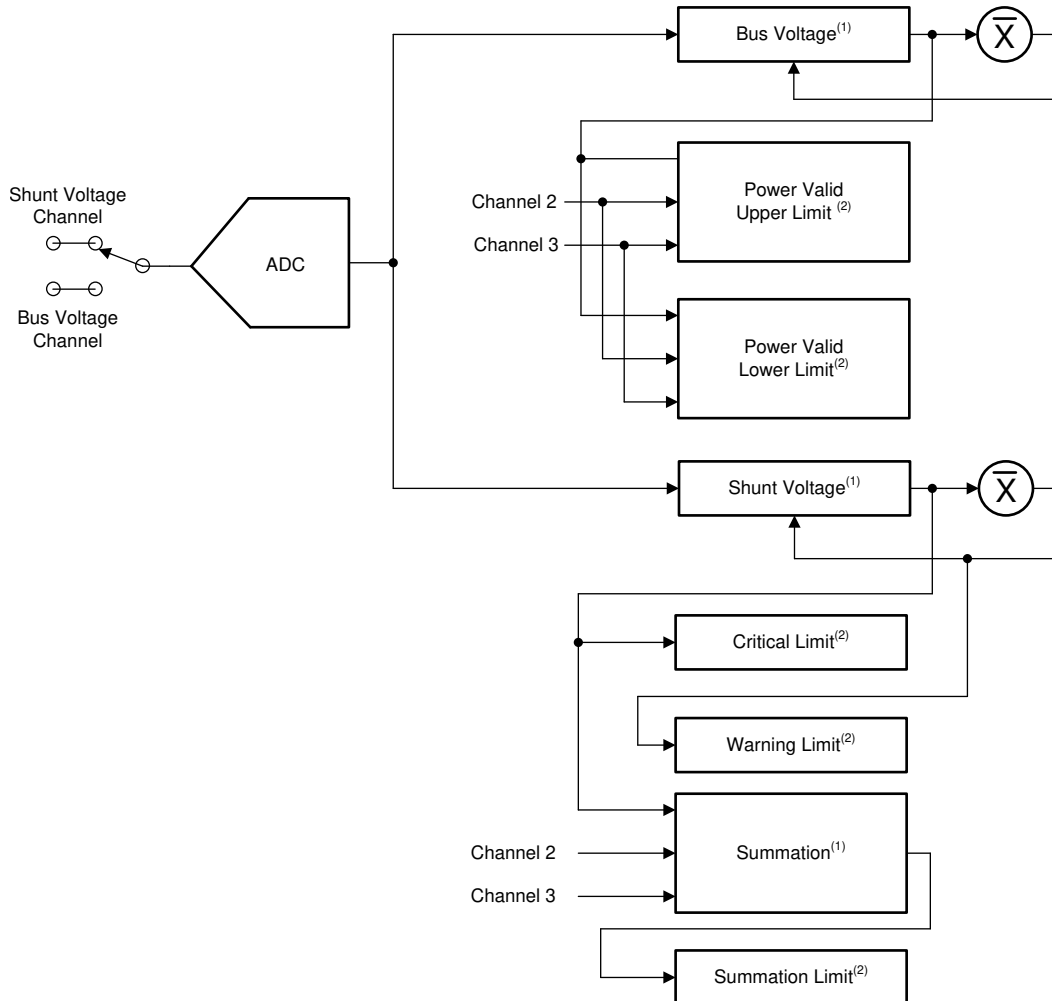
Figure 7-18. Shutdown  $I_Q$  vs. I<sup>2</sup>C Clock Frequency

## 8 Detailed Description

### 8.1 Overview

The INA3221-Q1 is a current-shunt and bus voltage monitor that communicates over an I<sup>2</sup>C- and SMBus-compatible interface. The INA3221-Q1 provides digital shunt and bus voltage readings necessary for accurate decision making in precisely-controlled systems, and also monitors multiple rails to maintain compliance voltages. Programmable registers offer flexible configuration for measurement precision, and continuous versus single-shot operation. The [Register Maps](#) section provides details of the INA3221-Q1 registers, beginning with [Table 8-3](#).

### 8.2 Functional Block Diagram



- A. Read-only.
- B. Read/write.

## 8.3 Feature Description

### 8.3.1 Basic ADC Functions

The INA3221-Q1 performs two measurements on up to three power supplies of interest. The voltage developed from the load current passing through a shunt resistor creates a shunt voltage that is measured between the IN+ and IN– pins. The device also internally measures the power-supply bus voltage at the IN– pin for each channel. The differential shunt voltage is measured with respect to the IN– pin, and the bus voltage is measured with respect to ground.

The INA3221-Q1 is typically powered by a separate power supply that ranges from 2.7 V to 5.5 V. The monitored supply buses range from 0 V to 26 V.

#### CAUTION

Based on the fixed 8-mV bus-voltage register LSB (for any channel), a full-scale register value results in 32.76 V. However, the actual voltage applied to the INA3221-Q1 input pins must not exceed 26 V.

There are no special power-supply sequencing considerations between the common-mode input ranges and the device power-supply voltage because they are independent of each other; therefore, the bus voltages can be present with the supply voltage off and vice versa.

The INA3221-Q1 takes two measurements for each channel: one for shunt voltage and one for bus voltage. Each measurement can be independently or sequentially measured, based on the mode setting (bits 2-0 in the Configuration register). When the INA3221-Q1 is in normal operating mode (that is, the MODE bits of the Configuration register are set to 111), the device continuously converts a shunt-voltage reading followed by a bus-voltage reading. This procedure converts one channel, and then continues to the shunt voltage reading of the next enabled channel, followed by the bus-voltage reading for that channel, and so on, until all enabled channels have been measured. The programmed Configuration register mode setting applies to all channels. Any channels that are not enabled are bypassed in the measurement sequence, regardless of mode setting.

The INA3221-Q1 has two operating modes, continuous and single-shot, that determine the internal ADC operation after these conversions complete. When the INA3221-Q1 is set to continuous mode (using the MODE bit settings), the device continues to cycle through all enabled channels until a new configuration setting is programmed.

The Configuration register MODE control bits also enable modes to be selected that convert only the shunt or bus voltage. This feature further allows the device to fit specific application requirements.

In single-shot (triggered) mode, setting any single-shot convert mode to the Configuration register (that is, the Configuration register MODE bits set to 001, 010, or 011) triggers a single-shot conversion. This action produces a single set of measurements for all enabled channels. To trigger another single-shot conversion, write to the Configuration register a second time, even if the mode does not change. When a single-shot conversion is initiated, all enabled channels are measured one time and then the device enters a power-down state. The INA3221-Q1 registers can be read at any time, even while in power-down. The data present in these registers are from the last completed conversion results for the corresponding register. The conversion ready flag bit (Mask/Enable register, CVRF bit) helps coordinate single-shot conversions, and is especially helpful during longer conversion time settings. The CVRF bit is set after all conversions are complete. The CVRF bit clears under the following conditions:

1. Writing to the Configuration register, except when configuring the MODE bits for power-down mode; or
2. Reading the Mask/Enable register.

In addition to the two operating modes (continuous and single-shot), the INA3221-Q1 also has a separate selectable power-down mode that reduces the quiescent current and turns off current into the INA3221-Q1 inputs. Power-down mode reduces the impact of supply drain when the device is not used. Full recovery from power-down mode requires 40  $\mu$ s. The INA3221-Q1 registers can be written to and read from while the device is

in power-down mode. The device remains in power-down mode until one of the active MODE settings are written to the Configuration register.

### 8.3.2 Alert Monitoring

The INA3221-Q1 allows programmable thresholds that make sure the intended application operates within the desired operating conditions. Multiple monitoring functions are available using four alert pins: Critical, Warning, PV (power valid), and TC (timing control). These alert pins are open-drain connections.

#### 8.3.2.1 Critical Alert

The critical-alert feature monitors functions based on individual conversions of each shunt-voltage channel. The critical-alert limit feature compares the shunt-voltage conversion for each shunt-voltage channel to the value programmed into the corresponding limit register, in order to determine if the measured value exceeds the intended limit. Exceeding the programmed limit indicates that the current through the shunt resistor is too high.

At power-up, the default critical-alert limit value for each channel is set to the positive full-scale value, effectively disabling the alert. Program the corresponding limit registers at any time to begin monitoring for out-of-range conditions. The Critical alert pin pulls low if any channel measurement exceeds the limit present in the corresponding-channel critical-alert limit register. When the Critical alert pulls low, read the Mask/Enable register to determine which channel caused the critical alert flag indicator bit (CF1-3) to assert (= 1).

##### 8.3.2.1.1 Summation Control Function

The INA3221-Q1 also allows the Critical alert pin to be controlled by the summation control function. This function adds the single shunt-voltage conversions for the desired channels (set by SCC1-3 in the Mask/Enable register) in order to compare the combined sum to the programmed limit.

The SCC bits either disable the summation control function or allow the summation control function to switch between including two or three channels in the Shunt-Voltage Sum register. The Shunt-Voltage Sum Limit register contains the programmed value that is compared to the value in the Shunt-Voltage Sum register in order to determine if the total summed limit is exceeded. If the shunt-voltage sum limit value is exceeded, the Critical alert pin pulls low. Either the summation alert flag indicator bit (SF) or the individual critical alert limit bits (CF1-3) in the Mask/Enable register determine the source of the alert when the Critical alert pin pulls low.

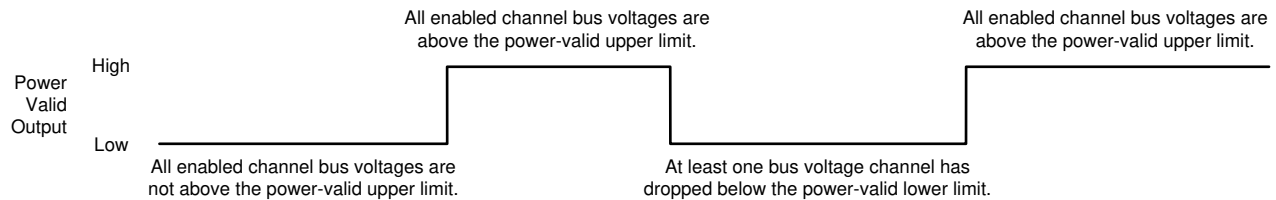
For the summation limit to have a meaningful value, use the same shunt-resistor value on all included channels. Unless equal shunt-resistor values are used for each channel, do not use this function to add the individual conversion values directly together in the Shunt-Voltage Sum register to report the total current.

#### 8.3.2.2 Warning Alert

The warning alert monitors the averaged value of each shunt-voltage channel. The averaged value of each shunt-voltage channel is based on the number of averages set with the averaging mode bits (AVG1-3) in the Configuration register. The average value updates in the shunt-voltage output register each time there is a conversion on the corresponding channel. The device compares the averaged value to the value programmed in the corresponding-channel Warning Alert Limit register to determine if the averaged value has been exceeded, indicating whether the average current is too high. At power-up, the default warning-alert limit value for each channel is set to the positive full-scale value, effectively disabling the alert. The corresponding limit registers can be programmed at any time to begin monitoring for out-of-range conditions. The Warning alert pin pulls low if any channel measurements exceed the limit present in the corresponding-channel Warning Alert Limit register. When the Warning alert pin pulls low, read the Mask/Enable register in order to determine which channel warning alert flag indicator bit (WF1-3) is asserted (= 1).

### 8.3.2.3 Power-Valid Alert

The power-valid alert verifies if all power rails are above the required levels. This feature manages power sequencing, and validates the reported measurements based on system configuration. Power-valid mode starts at power-up, and detects when each channel exceeds a 10-V threshold. This 10-V level is the default value programmed into the Power-Valid Upper-Limit register. This value can be reprogrammed when the INA3221-Q1 is powered up to a valid supply-voltage level of at least 2.7 V. When all three bus-voltage measurements reach the programmed value loaded to the Power-Valid Upper-Limit register, the power-valid (PV) alert pin pulls high. PV powers up in a low state, and does not pull high until the power-valid conditions are met, indicating all bus-voltage rails are above the power-valid upper-limit value. This sequence is shown in Figure 8-1.



**Figure 8-1. Power-Valid State Diagram**

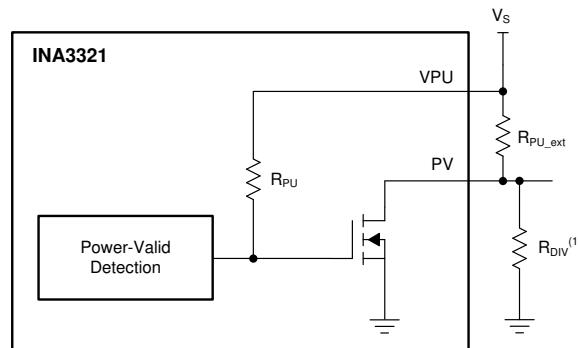
When the power-valid conditions are met, and the PV pin pulls high, the INA3221-Q1 monitors if any bus-voltage measurements drop below 9 V. This 9-V level is the default value programmed into the Power-Valid Lower-Limit register. This value can also be reprogrammed when the INA3221-Q1 powers up to a supply voltage of at least 2.7 V. If any bus-voltage measurement on the three channels drops below the Power-Valid Lower-Limit register value, the PV pin goes low, indicating that the power-valid condition is no longer met. At this point, the INA3221-Q1 resumes monitoring the power rails for a power-valid condition set in the Power-Valid Upper-Limit register.

The power-valid alert function is based on the power-valid conditions requirement that all three channels reach the intended Power-Valid Upper-Limit register value. If all three channels are not used, connect the unused-channel IN<sup>-</sup> pin externally to one of the used channels in order to use the power-valid alert function. If the unused channel is not connected to a valid rail, the power-valid alert function cannot detect if all three channels reach the power-valid level. Float the unused channel IN<sup>+</sup> pin.

The power-valid function also requires that bus-voltage measurements are monitored. To detect changes in the power-valid state, enable bus-voltage measurements through one of the corresponding MODE-bit settings in the Configuration register. The single-shot bus-voltage mode periodically cycles between the bus-voltage measurements to make sure that the power-valid conditions are met.

When all three bus-voltage measurements are completed, the device compares the results to the power-valid threshold values to determine the power-valid state. The bus-voltage measurement values remain in the corresponding channel output registers until the bus-voltage measurements are taken again, thus updating the output registers. When the output registers are updated, the values are again compared to the power-valid thresholds. Without taking periodic bus-voltage measurements, the INA3221-Q1 is unable to determine if the power-valid conditions are maintained.

The PV pin allows for a 0-V output that indicates a power-invalid condition. An output equal to the pull-up supply voltage connected to the VPU pin indicates a power-valid condition, as shown in Figure 8-2. It is also possible to divide down the high power-valid pull-up voltage by adding a resistor to ground at the PV output, thus allowing this function to interface with lower-voltage circuitry, if needed.

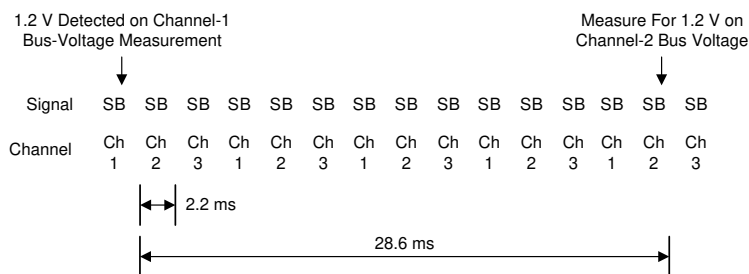


A.  $R_{DIV}$  can be used to level-shift the PV output high.

**Figure 8-2. Power-Valid Output Structure**

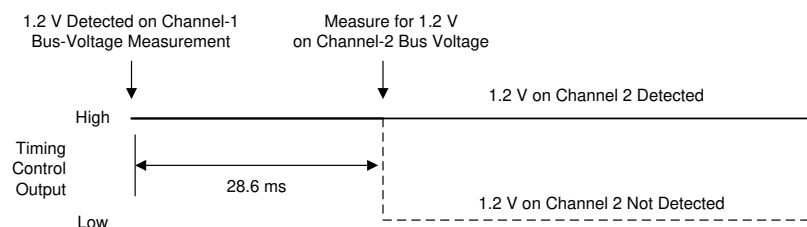
**8.3.2.4 Timing-Control Alert**

The INA3221-Q1 timing-control alert function helps verify proper power-supply sequencing. At power-up, the default INA3221-Q1 setting is continuous shunt- and bus-voltage conversion mode, and the INA3221-Q1 internally begins comparing the channel-1 bus voltage to determine when a 1.2-V level is reached. This comparison is made each time the sequence returns to the channel-1 bus-voltage measurement. When a 1.2-V level is detected on the channel-1 bus-voltage measurement, the INA3221-Q1 begins checking for a 1.2-V level present on the channel-2 bus-voltage measurement. After a 1.2-V level is detected on channel 1, if the INA3221-Q1 does not detect a 1.2-V value or greater on the bus voltage measurement following four complete cycles of all three channels, the timing control (TC) alert pin pulls low to indicate that the INA3221-Q1 has not detected a valid power rail on channel 2. As shown in Figure 8-3, this sequence allows for approximately 28.6 ms from the time 1.2 V is detected on channel 1 for a valid voltage to be detected on channel 2. Figure 8-4 illustrates the state diagram for the TC alert pin.



NOTE: The signal refers to the corresponding shunt (S) and bus (B) voltage measurement for each channel.

**Figure 8-3. Timing Control Timing Diagram**



**Figure 8-4. Timing Control State Diagram**

The timing control alert function is only monitored at power-up or when a software reset is issued by setting the reset bit (RST, bit 15) in the Configuration register. The timing control alert function timing is based on the

default device settings at power-up. Writing to the Configuration register before the timing control alert function completes the full sequence results in disabling the timing control alert until power is cycled or a software reset is issued.

### 8.3.2.5 Default Settings

The default register power-up states are listed in the [Register Maps](#) section. These registers are volatile; if programmed to a value other than the default values shown in [Table 8-3](#), the registers must be reprogrammed every time the device powers up.

### 8.3.3 Software Reset

The INA3221 features a software reset that reinitializes the device and register settings to default power-up values without having to cycle power to the device. Use bit 15 (RST) of the Configuration register to perform a software reset. Setting RST reinitializes all registers and settings to the default power state with the exception of the power-valid output state.

If a software reset is issued, the INA3221-Q1 holds the output of the PV pin until the power-valid detection sequence completes. The Power-Valid Upper Limit and Power-Valid Lower limit registers return to the default state when the software reset has been issued. Therefore, any reprogrammed limit registers are reset, resulting in the original power-valid thresholds validating the power-valid conditions. This architecture prevents interruption to circuitry connected to the power valid output during a software reset event.

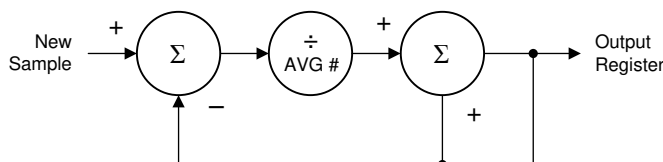
## 8.4 Device Functional Modes

### 8.4.1 Averaging Function

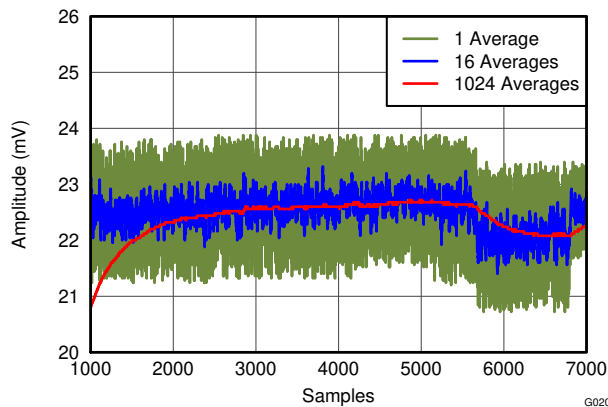
The INA3221-Q1 includes three channels to monitor up to three independent supply buses; however, multichannel monitoring sometimes results in poor shunt-resistor placement. Ideally, shunt resistors are placed as close as possible to the corresponding channel input pins. However, because of system layout and multiple power-supply rails, one or more shunt resistors may have to be located further away, thus presenting potentially larger measurement errors. These errors result from additional trace inductance and other parasitic impedances between the shunt resistor and input pins. Longer traces also create an additional potential for coupling noise into the signal if they are routed near noise-generating sections of the board.

The INA3221-Q1 averaging function mitigates this potential problem by limiting the impact that any single measurement has on the averaged value of each measured signal. This limitation reduces the influence that noise has on the averaged value, thereby effectively creating an input-signal filter.

The averaging function is illustrated in [Figure 8-5](#). Operation begins by first measuring the shunt input signal on channel 1. This value is then subtracted from the previous value that was present in the corresponding data output register. This difference is then divided by the value programmed by the averaging mode setting (AVG2-0, Configuration register bits 11-9) and stored in an internal accumulation register. The computed result is then added to the previously-loaded data output register value, and the resulting value is loaded to the corresponding data output register. After the update, the next signal to be measured follows the same process. The larger the value selected for the averaging mode setting, the less impact or influence any new conversion has on the average value, as shown in [Figure 8-6](#). This averaging feature functions as a filter to reduce input noise from the averaged measurement value.



**Figure 8-5. Averaging Function Block Diagram**



**Figure 8-6. Average Setting Example**



## 8.4.2 Multiple Channel Monitoring

The INA3221-Q1 monitors shunt and voltage measurements for up to three unique power-supply rails, and measures up to six different signals. Adjust the number of channels and signals being measured by setting the channel enable (CH1<sub>en</sub> to CH3<sub>en</sub>) and mode (MODE3-1) bits in the Configuration register. This adjustment allows the device to be optimized based on application requirements for the system in use.

### 8.4.2.1 Channel Configuration

If all three channels must be monitored at power-up, but only one channel must be monitored after the system has stabilized, disable the other two channels after power-up. This configuration allows the INA3221-Q1 to only monitor the power-supply rail of interest. Disable unused channels to help improve system response time by more quickly returning to sampling the channel of interest. The INA3221-Q1 linearly monitors the enabled channels. That is, if all three channels are enabled for both shunt- and bus-voltage measurements, an additional five conversions complete after a signal is measured before the device returns to that particular signal to begin another conversion. To reduce this requirement down to two conversions before the device begins a new conversion on a particular channel again, change the operating mode to monitor only the shunt voltage.

A timing aspect is also involved in reducing the measured signals. The amount of time to complete an all-channel, shunt- and bus-voltage sequence is equal to the sum of the shunt-voltage conversion time and the bus-voltage conversion time (programmed by the CT bits in the Configuration register) multiplied by the three channels. The conversion times for the shunt- and bus-voltage measurements are programmed independently; however, the selected shunt- and bus-voltage conversion times apply to all channels.

Enable a single channel with only one signal measured to allow for that particular signal to be monitored solely. This setting enables the fastest response over time to changes in that specific input signal because there is no delay from the end of one conversion before the next conversion begins on that channel. Conversion time is not affected by enabling or disabling other channels. Selecting both the shunt- and bus-voltage settings, as well as enabling additional channels, extends the time from the end of one conversion on a signal before the beginning of the next conversion of that signal.

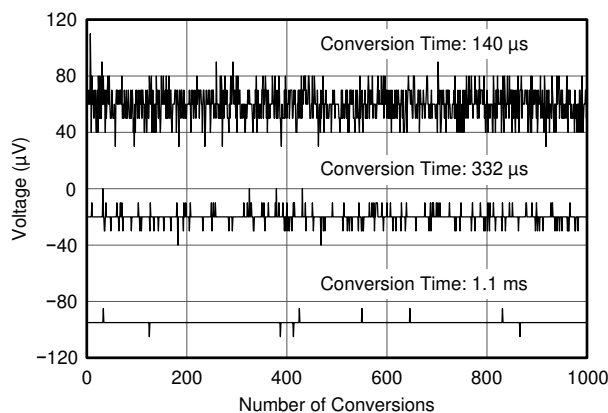
### 8.4.2.2 Averaging and Conversion-Time Considerations

The INA3221-Q1 has programmable conversion times for both the shunt- and bus-voltage measurements. The selectable conversion times for these measurements range from 140  $\mu\text{s}$  to 8.244 ms. The conversion-time settings, along with the programmable-averaging mode, enable the INA3221-Q1 to optimize available timing requirements in a given application. For example, if a system requires data to be read every 2 ms with all three channels monitored, configure the INA3221-Q1 with the conversion times for the shunt- and bus-voltage measurements set to 332  $\mu\text{s}$ .

The INA3221-Q1 can also be configured with a different conversion-time setting for the shunt- and bus-voltage measurements. This approach is common in applications where the bus voltage tends to be relatively stable, and allows for the time focused on the bus voltage measurement to be reduced relative to the shunt-voltage measurement. For example, the shunt-voltage conversion time can be set to 4.156 ms with the bus-voltage conversion time set to 588  $\mu\text{s}$  for a 5-ms update time.

There are trade-offs associated with the conversion-time and averaging-mode settings. The averaging feature significantly improves the measurement accuracy by effectively filtering the signal. This approach allows the INA3221-Q1 to reduce the amount of noise in the measurement caused by noise coupling into the signal. A greater number of averages allows the INA3221-Q1 to be more effective in reducing the measurement noise component. The trade-off to this noise reduction is that the averaged value has a longer response time to input-signal changes. This aspect of the averaging feature is mitigated to some extent with the critical-alert feature that compares each single conversion to determine if a measured signal (with noise component) has exceeded the maximum acceptable level.

The selected conversion times also have an impact on measurement accuracy. This effect can be seen in [Figure 8-7](#). The multiple conversion times shown in [Figure 8-7](#) illustrate the impact of noise on measurement. These curves shown do not use averaging. In order to achieve the highest-accuracy measurement possible, use a combination of the longest allowable conversion times and highest number of averages, based on system timing requirements.

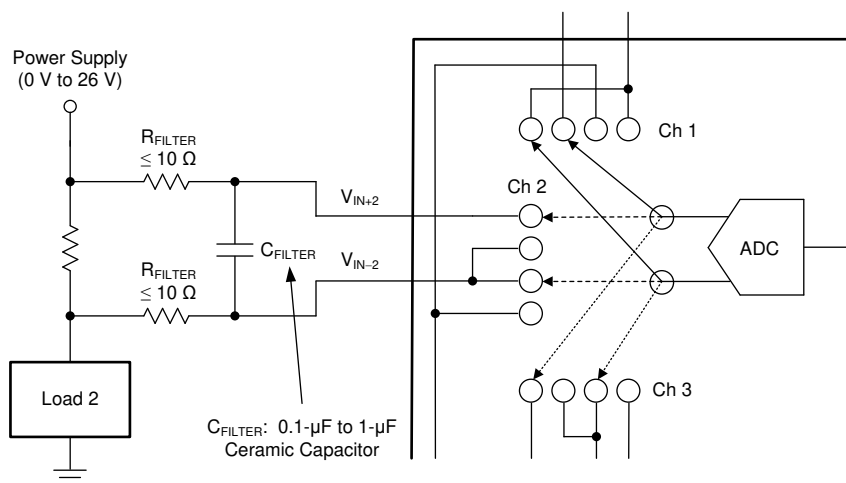


**Figure 8-7. Noise Versus Conversion Time**

### 8.4.3 Filtering and Input Considerations

Measuring current is often noisy, and such noise can be difficult to define. The INA3221-Q1 offers several filtering options by allowing conversion times and the number of averages to be selected independently in the Configuration register. The conversion times can be set independently for the shunt- and bus-voltage measurements as well, for added flexibility in configuring power-supply bus monitoring.

The internal ADC is based on a delta-sigma ( $\Delta\Sigma$ ) front-end with a 500-kHz ( $\pm 30\%$ ) typical sampling rate. This architecture has good inherent noise rejection; however, transients that occur at or very close to the sampling-rate harmonics can cause problems. These transient signals are at 1 MHz and higher; therefore, the signals are managed by incorporating filtering at the INA3221-Q1 input. High-frequency signals allow for the use of low-value series resistors on the filter, with negligible effects on measurement accuracy. In general, filtering the INA3221-Q1 input is only necessary if there are transients at exact harmonics of the 500-kHz ( $\pm 30\%$ ) sampling rate that are greater than 1 MHz. Filter using the lowest-possible series resistance (typically 10  $\Omega$  or less) and a ceramic capacitor. Recommended capacitor values are 0.1  $\mu\text{F}$  to 1.0  $\mu\text{F}$ . Figure 8-8 shows the INA3221-Q1 with an additional filter added at the input.



**Figure 8-8. INA3221-Q1 With Input Filtering**

The INA3221-Q1 inputs are specified to tolerate 26 V across the inputs. However, overload conditions are another consideration for the INA3221-Q1 inputs. For example, a large differential-input scenario might be a short to ground on the load side of the shunt. This type of event results in the full power-supply voltage applied across the shunt, if supported by the power supply or energy-storage capacitors. Keep in mind that removing a short to ground may result in inductive kickbacks that can exceed the 26-V differential and common-mode rating of the INA3221-Q1. Inductive kickback voltages are best controlled by zener-type transient-absorbing devices (commonly called *transzorb*s) combined with sufficient energy-storage capacitance.

In applications that do not have large energy-storage electrolytic capacitors on one or both sides of the shunt, an input overstress condition can result from an excessive  $dV/dt$  of the voltage applied to the input. A hard physical short is the most likely cause of this event, particularly in applications without large electrolytic capacitors present. This problem occurs because an excessive  $dV/dt$  can activate the INA3221-Q1 ESD protection in systems where large currents are available. Testing has demonstrated that the addition of 10- $\Omega$  resistors in series with each INA3221-Q1 input sufficiently protects the inputs against this  $dV/dt$  failure up to the 26-V device rating. Selecting these resistors in the range noted has minimal effect on accuracy.

## 8.5 Programming

### 8.5.1 Bus Overview

The INA3221-Q1 offers compatibility with both I<sup>2</sup>C and SMBus interfaces. The I<sup>2</sup>C and SMBus protocols are essentially compatible with one another.

The I<sup>2</sup>C interface is used throughout this data sheet as the primary example, with the SMBus protocol specified only when a difference between the two systems is discussed. Two I/O lines, the serial clock (SCL) and data signal line (SDA), connect the INA3221-Q1 to the bus. Both SCL and SDA are open-drain connections.

The device that initiates a data transfer is called a *master*, and the devices controlled by the master are *slaves*. The bus must be controlled by the master device that generates the SCL, controls the bus access, and generates start and stop conditions.

To address a specific device, the master initiates a start condition by pulling SDA from a high to a low logic level while SCL is high. All slaves on the bus shift in the slave address byte on the SCL rising edge, with the last bit indicating whether a read or write operation is intended. During the ninth clock pulse, the slave being addressed responds to the master by generating an *acknowledge* bit and pulling SDA low.

Data transfer is then initiated and eight bits of data are sent, followed by an acknowledge bit. During data transfer, SDA must remain stable while SCL is high. Any change in SDA while SCL is high is interpreted as a start or stop condition.

After all data are transferred, the master generates a stop condition by pulling SDA from low to high while SCL is high. The INA3221-Q1 includes a 28-ms timeout on the interface to prevent locking up the bus.

#### 8.5.1.1 Serial Bus Address

To communicate with the INA3221-Q1, the master must first address slave devices with a slave address byte. This byte consists of seven address bits and a direction bit to indicate whether the intended action is a read or write operation.

The INA3221-Q1 has one address pin, A0. [Table 8-1](#) describes the pin logic levels for each of the four possible addresses. The state of the A0 pin is sampled on every bus communication and must be set before any activity on the interface occurs.

**Table 8-1. Address Pins and Slave Addresses**

A0	SLAVE ADDRESS
GND	1000000
VS	1000001
SDA	1000010
SCL	1000011

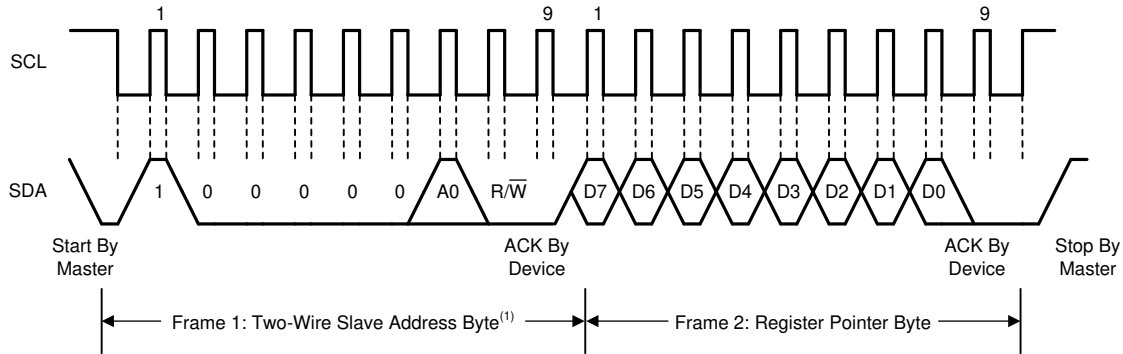
#### 8.5.1.2 Serial Interface

The INA3221-Q1 only operates as a slave device on the I<sup>2</sup>C bus and SMBus. Bus connections are made using the open-drain I/O lines, SDA and SCL. The SDA and SCL pins feature integrated spike-suppression filters and Schmitt triggers to minimize the effects of input spikes and bus noise. While there is spike suppression integrated into the digital I/O lines, use proper layout to minimize the amount of coupling into the communication lines. Noise introduction occurs from capacitively coupling signal edges between the two communication lines themselves, or from other switching noise sources present in the system. Routing traces in parallel with ground between layers on a printed circuit board (PCB) typically reduces the effects of coupling between the communication lines. Shield communication lines to reduce the possibility of unintended noise coupling into the digital I/O lines that could be incorrectly interpreted as start or stop commands.

The INA3221-Q1 supports a transmission protocol for Fast (1 kHz to 400 kHz) and High-speed (1 kHz to 2.44 MHz) modes. All data bytes are transmitted MSB first.

### 8.5.2 Writing To and Reading From the INA3221-Q1

To access a specific INA3221-Q1 register, write the appropriate value to the register pointer. See [Table 8-3](#) for a complete list of registers and corresponding addresses. The value for the register pointer, as shown in [Figure 8-9](#), is the first byte transferred after the slave address byte with the R/  $\bar{W}$  bit low. Every write operation to the INA3221-Q1 requires a register pointer value.



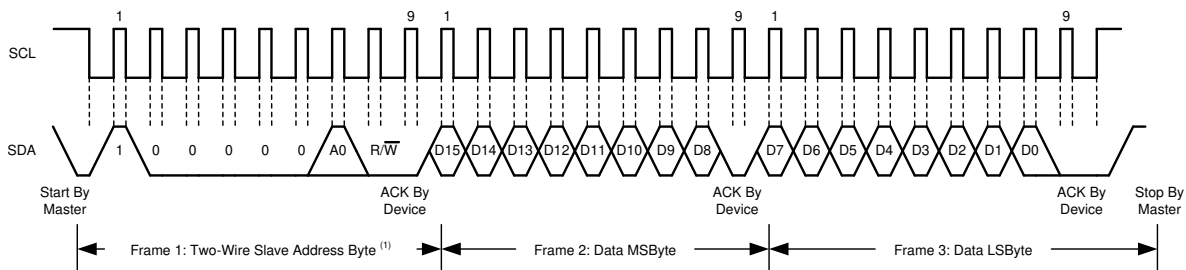
A. The value of the Slave Address Byte is determined by the A0 pin setting; see [Table 8-1](#).

**Figure 8-9. Typical Register Pointer Set**

Register writes begin with the first byte transmitted by the master. This byte is the slave address, with the R/  $\bar{W}$  bit low. The INA3221-Q1 then acknowledges receipt of a valid address. The next byte transmitted by the master is the register address that data are written to. This register address value updates the register pointer to the desired register. The next two bytes are written to the register addressed by the register pointer. The INA3221-Q1 acknowledges receipt of each data byte. The master terminates data transfer by generating a start or stop condition.

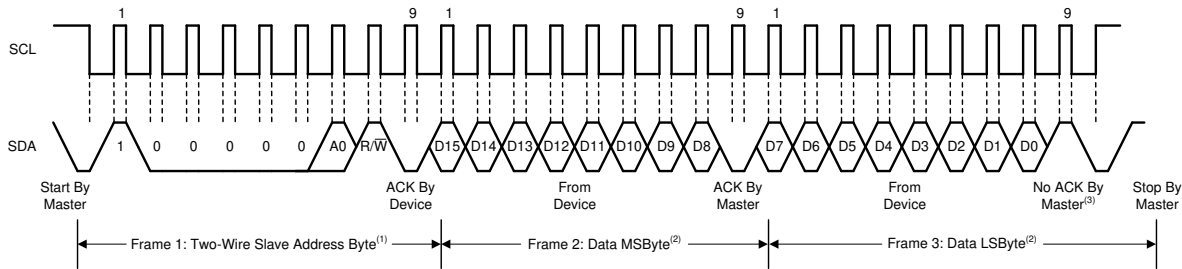
When reading from the INA3221-Q1, the last value stored in the register pointer by a write operation determines which register is read during a read operation. To change the register pointer for a read operation, write a new value to the register pointer. This write is accomplished by issuing a slave address byte with the R/  $\bar{W}$  bit low, followed by the register pointer byte. No additional data are required. The master then generates a start condition and sends the slave address byte with the R/  $\bar{W}$  bit high to initiate the read command. The next byte is transmitted by the slave and is the most significant byte of the register indicated by the register pointer. This byte is followed by an acknowledge from the master; then the slave transmits the least significant byte. The master acknowledges receipt of the data byte. The master terminates data transfer by generating a *not-acknowledge* after receiving any data byte, or generating a start or stop condition. If repeated reads from the same register are desired, it is not necessary to continually send the register pointer bytes; the INA3221-Q1 retains the register pointer value until it is changed by the next write operation.

[Figure 8-10](#) and [Figure 8-11](#) show the write and read operation timing diagrams, respectively. Note that register bytes are sent most-significant byte first, followed by the least significant byte.



A. The value of the slave address byte is determined by the A0 pin setting; see [Table 8-1](#).

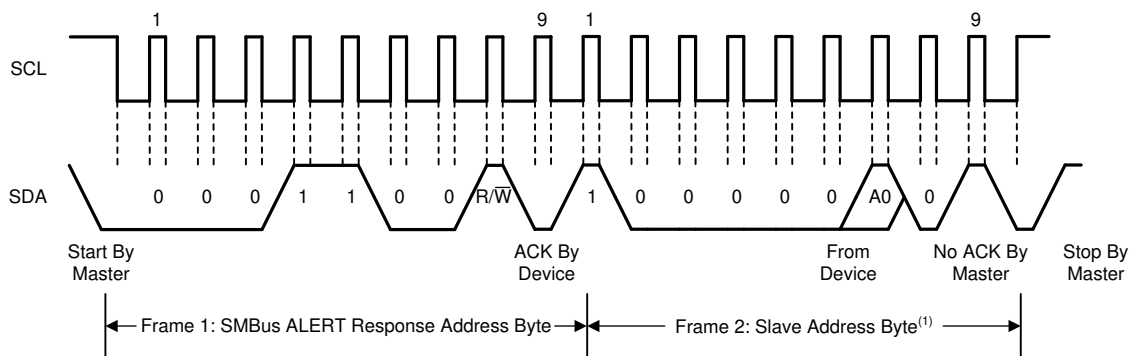
**Figure 8-10. Timing Diagram for Write Word Format**



- A. The value of the slave address byte is determined by the A0 pin setting; see [Table 8-1](#).
- B. Read data are from the last register pointer location. If a new register is desired, the register pointer must be updated. See [Figure 8-9](#).
- C. The master can also send an ACK.

**Figure 8-11. Timing Diagram for Read Word Format**

[Figure 8-12](#) shows the timing diagram for the SMBus Alert response operation.



- A. The value of the Slave Address Byte is determined by the A0 pin setting; see [Table 8-1](#).

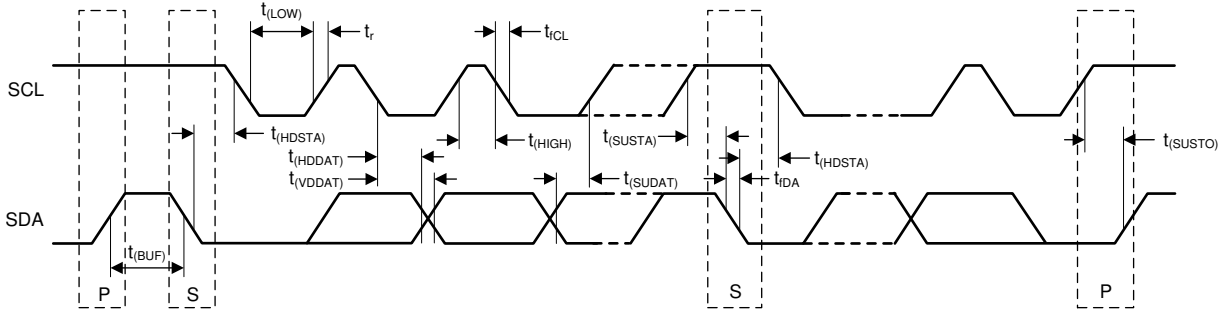
**Figure 8-12. Timing Diagram for SMBus Alert**

### 8.5.2.1 High-Speed I<sup>2</sup>C Mode

When the bus is idle, the SDA and SCL lines are pulled high by the pull-up resistors. The master generates a start condition followed by a valid serial byte with the high-speed (Hs) master code `00001XXX`. This transmission is made in fast (400 kHz) or standard (100 kHz) (F/S) mode at no more than 400 kHz. The INA3221-Q1 does not acknowledge the Hs master code, but does recognize it and switches its internal filters to support 2.44-MHz operation.

The master then generates a repeated start condition (a repeated start condition has the same timing as the start condition). After this repeated start condition, the protocol is the same as F/S mode, except that transmission speeds up to 2.44 MHz are allowed. Instead of using a stop condition, the master uses a repeated start conditions to secure the bus in Hs mode. A stop condition ends the Hs mode, and switches all internal INA3221-Q1 filters to support F/S mode.

[Figure 8-13](#) shows the bus timing, and [Table 8-2](#) lists the bus timing definitions.



**Figure 8-13. Bus Timing**

**Table 8-2. Bus Timing Definitions<sup>(1)</sup>**

PARAMETER	FAST MODE		HIGH-SPEED MODE		UNIT		
	MIN	MAX	MIN	MAX			
$f_{(SCL)}$	SCL operating frequency		0.001	0.4	0.001	2.44	MHz
$t_{(BUF)}$	Bus free time between stop and start conditions		1300		160		ns
$t_{(HDSTA)}$	Hold time after repeated START condition. After this period, the first clock is generated.		600		160		ns
$t_{(SUSTA)}$	Repeated start condition setup time		600		160		ns
$t_{(SUSTO)}$	STOP condition setup time		600		160		ns
$t_{(HDDAT)}$	Data hold time		0		0		ns
$t_{(VDDAT)}$	Data valid time			1200		260	ns
$t_{(SUDAT)}$	Data setup time		100		10		ns
$t_{(LOW)}$	SCL clock low period		1300		270		ns
$t_{(HIGH)}$	SCL clock high period		600		60		ns
$t_{(DA)}$	Data fall time			500		150	ns
$t_{(CL)}$	Clock fall time			300		40	ns
$t_r$	Clock rise time			300		40	ns
	Clock rise time for SCLK $\leq$ 100 kHz			1000			ns

(1) Values based on a statistical analysis of a one-time sample of devices. Minimum and maximum values are not production tested.  
A0 = A1 = 0.

### 8.5.3 SMBus Alert Response

The INA3221-Q1 responds to the SMBus alert response address. The SMBus alert response provides a quick fault identification for simple slave devices. When an alert occurs, the master broadcasts the alert response slave address (0001 100) with the R/  $\bar{W}$  bit set high. Following this alert response, any slave devices that generated an alert identify themselves by acknowledging the alert response, and sending their respective address on the bus.

The alert response can activate several different slave devices simultaneously, similar to the I<sup>2</sup>C general call. If more than one slave attempts to respond, bus arbitration rules apply. The losing device does not generate an acknowledge, and continues to hold the alert line low until the interrupt is cleared.

## 8.6 Register Maps

The INA3221-Q1 uses a bank of registers for holding configuration settings, measurement results, minimum and maximum limits, and status information. [Table 8-3](#) summarizes the INA3221-Q1 registers; see the [Functional Block Diagram](#) section for an illustration of the registers.

### 8.6.1 Summary of Register Set

**Table 8-3. Summary of Register Set**

POINTER ADDRESS (Hex)	REGISTER NAME	DESCRIPTION	POWER-ON RESET		TYPE <sup>(1)</sup>
			BINARY	HEX	
0	Configuration	All-register reset, shunt and bus voltage ADC conversion times and averaging, operating mode.	01110001 00100111	7127	R/ $\bar{W}$
1	Channel-1 Shunt Voltage	Averaged shunt voltage value.	00000000 00000000	0000	R
2	Channel-1 Bus Voltage	Averaged bus voltage value.	00000000 00000000	0000	R
3	Channel-2 Shunt Voltage	Averaged shunt voltage value.	00000000 00000000	0000	R
4	Channel-2 Bus Voltage	Averaged bus voltage value.	00000000 00000000	0000	R
5	Channel-3 Shunt Voltage	Averaged shunt voltage value.	00000000 00000000	0000	R
6	Channel-3 Bus Voltage	Averaged bus voltage value.	00000000 00000000	0000	R
7	Channel-1 Critical Alert Limit	Contains limit value to compare each conversion value to determine if the corresponding limit has been exceeded.	01111111 11111000	7FF8	R/ $\bar{W}$
8	Channel-1 Warning Alert Limit	Contains limit value to compare to averaged measurement to determine if the corresponding limit has been exceeded.	01111111 11111000	7FF8	R/ $\bar{W}$
9	Channel-2 Critical Alert Limit	Contains limit value to compare each conversion value to determine if the corresponding limit has been exceeded.	01111111 11111000	7FF8	R/ $\bar{W}$
A	Channel-2 Warning Alert Limit	Contains limit value to compare to averaged measurement to determine if the corresponding limit has been exceeded.	01111111 11111000	7FF8	R/ $\bar{W}$
B	Channel-3 Critical Alert Limit	Contains limit value to compare each conversion value to determine if the corresponding limit has been exceeded.	01111111 11111000	7FF8	R/ $\bar{W}$
C	Channel-3 Warning Alert Limit	Contains limit value to compare to averaged measurement to determine if the corresponding limit has been exceeded.	01111111 11111000	7FF8	R/ $\bar{W}$
D	Shunt-Voltage Sum	Contains the summed value of the each of the selected shunt voltage conversions.	00000000 00000000	0000	R
E	Shunt-Voltage Sum Limit	Contains limit value to compare to the Shunt Voltage Sum register to determine if the corresponding limit has been exceeded.	01111111 11111110	7FFE	R/ $\bar{W}$
F	Mask/Enable	Alert configuration, alert status indication, summation control and status.	00000000 00000010	0002	R/ $\bar{W}$
10	Power-Valid Upper Limit	Contains limit value to compare all bus voltage conversions to determine if the Power Valid level has been reached.	00100111 00010000	2710	R/ $\bar{W}$
11	Power-Valid Lower Limit	Contains limit value to compare all bus voltage conversions to determine if the any voltage rail has dropped below the Power Valid range.	00100011 00101000	2328	R/ $\bar{W}$
FE	Manufacturer ID	Contains unique manufacturer identification number.	01010100 01001001	5449	R
FF	Die ID	Contains unique die identification number.	00110010 00100000	3220	R

(1) Type: R = read-only, R/  $\bar{W}$  = read/write.



## 8.6.2 Register Descriptions

All 16-bit INA3221-Q1 registers are two 8-bit bytes via the I<sup>2</sup>C interface. [Table 8-4](#) shows a register map for the INA3221-Q1.

**Table 8-4. Register Map**

REGISTER	ADDRESS (Hex)	D15	D14	D13	D12	D11	D10	D9	D8	D7	D6	D5	D4	D3	D2	D1	D0
Configuration	00	RST	CH1 <sub>en</sub>	CH2 <sub>en</sub>	CH3 <sub>en</sub>	AVG2	AVG1	AVG0	V <sub>BUS</sub> CT2	V <sub>BUS</sub> CT1	V <sub>BUS</sub> CT0	V <sub>SH</sub> CT2	V <sub>SH</sub> CT1	V <sub>SH</sub> CT0	MODE3	MODE2	MODE1
Channel-1 Shunt Voltage	01	SIGN	SD11	SD10	SD9	SD8	SD7	SD6	SD5	SD4	SD3	SD2	SD1	SD0	—	—	—
Channel-1 Bus Voltage	02	SIGN	BD11	BD10	BD9	BD8	BD7	BD6	BD5	BD4	BD3	BD2	BD1	BD0	—	—	—
Channel-2 Shunt Voltage	03	SIGN	SD11	SD10	SD9	SD8	SD7	SD6	SD5	SD4	SD3	SD2	SD1	SD0	—	—	—
Channel-2 Bus Voltage	04	SIGN	BD11	BD10	BD9	BD8	BD7	BD6	BD5	BD4	BD3	BD2	BD1	BD0	—	—	—
Channel-3 Shunt Voltage	05	SIGN	SD11	SD10	SD9	SD8	SD7	SD6	SD5	SD4	SD3	SD2	SD1	SD0	—	—	—
Channel-3 Bus Voltage	06	SIGN	BD11	BD10	BD9	BD8	BD7	BD6	BD5	BD4	BD3	BD2	BD1	BD0	—	—	—
Channel-1 Critical-Alert Limit	07	C1L12	C1L11	C1L10	C1L9	C1L8	C1L7	C1L6	C1L5	C1L4	C1L3	C1L2	C1L1	C1L0	—	—	—
Channel-1 Warning-Alert Limit	08	W1L12	W1L11	W1L10	W1L9	W1L8	W1L7	W1L6	W1L5	W1L4	W1L3	W1L2	W1L1	W1L0	—	—	—
Channel-2 Critical-Alert Limit	09	C2L12	C2L11	C2L10	C2L9	C2L8	C2L7	C2L6	C2L5	C2L4	C2L3	C2L2	C2L1	C2L0	—	—	—
Channel-2 Warning-Alert Limit	0A	W2L12	W2L11	W2L10	W2L9	W2L8	W2L7	W2L6	W2L5	W2L4	W2L3	W2L2	W2L1	W2L0	—	—	—
Channel-3 Critical-Alert Limit	0B	C3L12	C3L11	C3L10	C3L9	C3L8	C3L7	C3L6	C3L5	C3L4	C3L3	C3L2	C3L1	C3L0	—	—	—
Channel-3 Warning-Alert Limit	0C	W3L12	W3L11	W3L10	W3L9	W3L8	W3L7	W3L6	W3L5	W3L4	W3L3	W3L2	W3L1	W3L0	—	—	—
Shunt-Voltage Sum	0D	SIGN	SV13	SV12	SV11	SV10	SV9	SV8	SV7	SV6	SV5	SV4	SV3	SV2	SV1	SV0	—
Shunt-Voltage Sum Limit	0E	SIGN	SVL13	SVL12	SVL11	SVL10	SVL9	SVL8	SVL7	SVL6	SVL5	SVL4	SVL3	SVL2	SVL1	SVL0	—
Mask/Enable	0F	—	SCC1	SCC2	SCC3	WEN	CEN	CF1	CF2	CF3	SF	WF1	WF2	WF3	PVF	TCF	CVRF
Power-Valid Upper Limit	10	PVU12	PVU11	PVU10	PVU9	PVU8	PVU7	PVU6	PVU5	PVU4	PVU3	PVU2	PVU1	PVU0	—	—	—
Power-Valid Lower Limit	11	PVL12	PVL11	PVL10	PVL9	PVL8	PVL7	PVL6	PVL5	PVL4	PVL3	PVL2	PVL1	PVL0	—	—	—
Manufacturer ID	FE	0	1	0	1	0	1	0	0	0	1	0	0	1	0	0	1
Die ID	FF	0	0	1	1	0	0	1	0	0	0	1	0	0	0	0	0

### 8.6.2.1 Configuration Register (address = 00h) [reset = 7127h]

The Configuration register settings control the operating modes for the shunt- and bus-voltage measurements for the three input channels. This register controls the conversion time settings for both the shunt- and bus-voltage measurements and the averaging mode used. The Configuration register is used to independently enable or disable each channel, as well as select the operating mode that controls which signals are selected to be measured.

This register can be read from at any time without impacting or affecting either device settings or conversions in progress. Writing to this register halts any conversion in progress until the write sequence is completed, resulting in a new conversion starting, based on the new Configuration register contents. This architecture prevents any uncertainty in the conditions used for the next completed conversion.

**Table 8-5. Configuration Register**

15	14	13	12	11	10	9	8	7	6	5	4	3	2	1	0
RST	CH1 <sub>en</sub>	CH2 <sub>en</sub>	CH3 <sub>en</sub>	AVG2	AVG1	AVG0	V <sub>BUS</sub> CT2	V <sub>BUS</sub> CT1	V <sub>BUS</sub> CT0	V <sub>SH</sub> CT2	V <sub>SH</sub> CT1	V <sub>SH</sub> CT0	MODE3	MODE2	MODE1
RW-0	RW-1	RW-1	RW-1	RW-0	RW-0	RW-0	RW-1	RW-0	RW-0	RW-1	RW-0	RW-0	RW-1	RW-1	RW-1

LEGEND: R/W = Read/Write; R = Read only; -n = value after reset

**Table 8-6. Configuration Register Field Descriptions**

Bit	Field	Type	Reset	Description
15	RST	R/W	0h	Reset bit. Set this bit = 1 to generate a system reset that is the same as a power-on reset (POR). This bit resets all registers to default values and self-clears.
14	CH1 <sub>en</sub>	R/W	7h	Channel enable mode. These bits allow each channel to be independently enabled or disabled. 0 = Channel disable 1 = Channel enable (default)
13	CH2 <sub>en</sub>			
12	CH3 <sub>en</sub>			
11-9	AVG2-0	R/W	0h	Averaging mode. These bits set the number of samples that are collected and averaged together. 000 = 1 (default) 001 = 4 010 = 16 011 = 64 100 = 128 101 = 256 110 = 512 111 = 1024
8-6	V <sub>BUS</sub> CT2-0	R/W	4h	Bus-voltage conversion time. These bits set the conversion time for the bus-voltage measurement. 000 = 140 μs 001 = 204 μs 010 = 332 μs 011 = 588 μs 100 = 1.1 ms (default) 101 = 2.116 ms 110 = 4.156 ms 111 = 8.244 ms
5-3	V <sub>SH</sub> CT2-0	R/W	4h	Shunt-voltage conversion time. These bits set the conversion time for the shunt-voltage measurement. The conversion-time bit settings for V <sub>SH</sub> CT2-0 are the same as V <sub>BUS</sub> CT2-0 (bits 8-6) listed in the previous row.

**Table 8-6. Configuration Register Field Descriptions (continued)**

Bit	Field	Type	Reset	Description
2-0	MODE3-1	R/W	7h	Operating mode. These bits select continuous, single-shot (triggered), or power-down mode of operation. These bits default to continuous shunt and bus mode. 000 = Power-down 001 = Shunt voltage, single-shot (triggered) 010 = Bus voltage, single-shot (triggered) 011 = Shunt and bus, single-shot (triggered) 100 = Power-down 101 = Shunt voltage, continuous 110 = Bus voltage, continuous 111 = Shunt and bus, continuous (default)

### 8.6.2.2 Channel-1 Shunt-Voltage Register (address = 01h), [reset = 00h]

This register contains the averaged shunt-voltage measurement for channel 1. This register stores the current shunt-voltage reading,  $V_{SHUNT}$ , for channel 1. Negative numbers are represented in twos complement format. Generate the twos complement of a negative number by complementing the absolute value binary number and adding 1. Extend the sign, denoting a negative number by setting MSB = 1.

Full-scale range = 163.8 mV (decimal = 7FF8); LSB (SD0): 40  $\mu$ V.

Example: For a value of  $V_{SHUNT} = -80$  mV:

1. Take the absolute value: 80 mV
2. Translate this number to a whole decimal number (80 mV / 40  $\mu$ V) = 2000
3. Convert this number to binary = 011 1110 1000 0\_\_\_ (last three bits are set to 0)
4. Complement the binary result = 100 0001 0111 1111
5. Add 1 to the complement to create the twos complement result = 100 0001 1000 0000
6. Extend the sign and create the 16-bit word: 1100 0001 1000 0000 = C180h

**Table 8-7. Channel-1 Shunt-Voltage Register**

15	14	13	12	11	10	9	8	7	6	5	4	3	2	1	0
SIGN	SD11	SD10	SD9	SD8	SD7	SD6	SD5	SD4	SD3	SD2	SD1	SD0	—	—	—
R-0	R-0	R-0	R-0	R-0	R-0	R-0	R-0	R-0	R-0	R-0	R-0	R-0	R-0	R-0	R-0

LEGEND: R/W = Read/Write; R = Read only; -n = value after reset

**Table 8-8. Channel-1 Shunt-Voltage Register Field Descriptions**

Bit	Field	Type	Reset	Description
15	SIGN	R	0h	Sign bit. 0 = positive number 1 = negative number in twos complement format
14-3	SD11-0	R	0h	Channel-1 shunt-voltage data bits
2-0	Reserved	R	0h	Reserved

### 8.6.2.3 Channel-1 Bus-Voltage Register (address = 02h) [reset = 00h]

This register stores the bus voltage reading,  $V_{BUS}$ , for channel 1. Full-scale range = 32.76 V (decimal = 7FF8); LSB (BD0) = 8 mV. Although the input range is 26 V, the full-scale range of the ADC scaling is 32.76 V. Do not apply more than 26 V.

**Table 8-9. Channel-1 Bus-Voltage Register**

15	14	13	12	11	10	9	8	7	6	5	4	3	2	1	0
SIGN	BD11	BD10	BD9	BD8	BD7	BD6	BD5	BD4	BD3	BD2	BD1	BD0	—	—	—
R-0	R-0	R-0	R-0	R-0	R-0	R-0	R-0	R-0	R-0	R-0	R-0	R-0	R-0	R-0	R-0

LEGEND: R/W = Read/Write; R = Read only; -n = value after reset

**Table 8-10. Channel-1 Bus-Voltage Register Field Descriptions**

Bit	Field	Type	Reset	Description
15	SIGN	R	0h	Sign bit. 0 = positive number 1 = negative number in twos complement format.
14-3	BD11-0	R	0h	Channel-1 bus-voltage data bits
2-0	Reserved	R	0h	Reserved

### 8.6.2.4 Channel-2 Shunt-Voltage Register (address = 03h) [reset = 00h]

This register contains the averaged shunt voltage measurement for channel 2. Full-scale range = 163.8 mV (decimal = 7FF8); LSB (SD0): 40  $\mu$ V. Although the input range is 26 V, the full-scale range of the ADC scaling is 32.76 V. Do not apply more than 26 V.

**Table 8-11. Channel-2 Shunt-Voltage Register**

15	14	13	12	11	10	9	8	7	6	5	4	3	2	1	0
SIGN	SD11	SD10	SD9	SD8	SD7	SD6	SD5	SD4	SD3	SD2	SD1	SD0	—	—	—
R-0	R-0	R-0	R-0	R-0	R-0	R-0	R-0	R-0	R-0	R-0	R-0	R-0	R-0	R-0	R-0

LEGEND: R/W = Read/Write; R = Read only; -n = value after reset

**Table 8-12. Channel-2 Shunt-Voltage Register Field Descriptions**

Bit	Field	Type	Reset	Description
15	SIGN	R	0h	Sign bit. 0 = positive number 1 = negative number in twos complement format
14-3	SD11-0	R	0h	Channel-2 shunt-voltage data bits
2-0	Reserved	R	0h	Reserved

### 8.6.2.5 Channel-2 Bus-Voltage Register (address = 04h) [reset = 00h]

This register stores the bus voltage reading,  $V_{BUS}$ , for channel 2. Full-scale range = 32.76 V (decimal = 7FF8); LSB (BD0) = 8 mV. Although the input range is 26 V, the full-scale range of the ADC scaling is 32.76 V. Do not apply more than 26 V.

**Table 8-13. Channel-2 Bus-Voltage Register**

15	14	13	12	11	10	9	8	7	6	5	4	3	2	1	0
SIGN	BD11	BD10	BD9	BD8	BD7	BD6	BD5	BD4	BD3	BD2	BD1	BD0	—	—	—
R-0	R-0	R-0	R-0	R-0	R-0	R-0	R-0	R-0	R-0	R-0	R-0	R-0	R-0	R-0	R-0

LEGEND: R/W = Read/Write; R = Read only; -n = value after reset

**Table 8-14. Channel-2 Bus-Voltage Register Field Descriptions**

Bit	Field	Type	Reset	Description
15	SIGN	R	0h	Sign bit. 0 = positive number 1 = negative number in twos complement format
14-3	BD11-0	R	0h	Channel-2 bus-voltage data bits
2-0	Reserved	R	0h	Reserved

### 8.6.2.6 Channel-3 Shunt-Voltage Register (address = 05h) [reset = 00h]

This register contains the averaged shunt voltage measurement for channel 3. Full-scale range = 163.8 mV (decimal = 7FF8); LSB (SD0): 40  $\mu$ V.

**Table 8-15. Channel-3 Shunt-Voltage Register**

15	14	13	12	11	10	9	8	7	6	5	4	3	2	1	0
SIGN	SD11	SD10	SD9	SD8	SD7	SD6	SD5	SD4	SD3	SD2	SD1	SD0	—	—	—
R-0	R-0	R-0	R-0	R-0	R-0	R-0	R-0	R-0	R-0	R-0	R-0	R-0	R-0	R-0	R-0

LEGEND: R/W = Read/Write; R = Read only; -n = value after reset

**Table 8-16. Channel-3 Shunt-Voltage Register Field Descriptions**

Bit	Field	Type	Reset	Description
15	SIGN	R	0h	Sign bit. 0 = positive number 1 = negative number in twos complement format
14-3	SD11-0	R	0h	Channel-3 shunt-voltage data bits
2-0	Reserved	R	0h	Reserved

### 8.6.2.7 Channel-3 Bus-Voltage Register (address = 06h) [reset = 00h]

This register stores the bus voltage reading,  $V_{BUS}$ , for channel 3. Full-scale range = 32.76 V (decimal = 7FF8); LSB (BD0) = 8 mV. Although the input range is 26 V, the full-scale range of the ADC scaling is 32.76 V. Do not apply more than 26 V.

**Table 8-17. Channel-3 Bus-Voltage Register**

15	14	13	12	11	10	9	8	7	6	5	4	3	2	1	0
SIGN	BD11	BD10	BD9	BD8	BD7	BD6	BD5	BD4	BD3	BD2	BD1	BD0	—	—	—
R-0	R-0	R-0	R-0	R-0	R-0	R-0	R-0	R-0	R-0	R-0	R-0	R-0	R-0	R-0	R-0

LEGEND: R/W = Read/Write; R = Read only; -n = value after reset

**Table 8-18. Channel-3 Bus-Voltage Register Field Descriptions**

Bit	Field	Type	Reset	Description
15	SIGN	R	0h	Sign bit. 0 = positive number 1 = negative number in twos complement format
14-3	BD11-0	R	0h	Channel-3 bus-voltage data bits
2-0	Reserved	R	0h	Reserved

### 8.6.2.8 Channel-1 Critical-Alert Limit Register (address = 07h) [reset = 7FF8h]

This register contains the value used to compare to each shunt voltage conversion on channel 1 to detect fast overcurrent events.

**Table 8-19. Channel-1 Critical-Alert Limit Register**

15	14	13	12	11	10	9	8	7	6	5	4	3	2	1	0
C1L12	C1L11	C1L10	C1L9	C1L8	C1L7	C1L6	C1L5	C1L4	C1L3	C1L2	C1L1	C1L0	—	—	—
RW-0	RW-1	RW-1	RW-1	RW-1	RW-1	RW-1	RW-1	RW-1	RW-1	RW-1	RW-1	RW-1	RW-0	RW-0	RW-0

LEGEND: R/W = Read/Write; R = Read only; -n = value after reset

**Table 8-20. Channel-1 Critical-Alert Limit Register Field Descriptions**

Bit	Field	Type	Reset	Description
15-3	C1L12-0	R/W	FFFh	Channel-1 critical-alert-limit data bits
2-0	Reserved	R/W	0h	Reserved

### 8.6.2.9 Warning-Alert Channel-1 Limit Register (address = 08h) [reset = 7FF8h]

This register contains the value used to compare to the averaged shunt voltage value of channel 1 to detect a longer duration overcurrent event.

**Table 8-21. Channel-1 Warning-Alert Limit Register**

15	14	13	12	11	10	9	8	7	6	5	4	3	2	1	0
W1L12	W1L11	W1L10	W1L9	W1L8	W1L7	W1L6	W1L5	W1L4	W1L3	W1L2	W1L1	W1L0	—	—	—
RW-0	RW-1	RW-1	RW-1	RW-1	RW-1	RW-1	RW-1	RW-1	RW-1	RW-1	RW-1	RW-1	RW-0	RW-0	RW-0

LEGEND: R/W = Read/Write; R = Read only; -n = value after reset

**Table 8-22. Channel-1 Warning-Alert Limit Register Field Descriptions**

Bit	Field	Type	Reset	Description
15-3	W1L12-0	R/W	FFFh	Channel-1 warning-alert-limit data bits
2-0	Reserved	R/W	0h	Reserved

### 8.6.2.10 Channel-2 Critical-Alert Limit Register (address = 09h) [reset = 7FF8h]

This register contains the value used to compare to each shunt voltage conversion on channel 2 to detect fast overcurrent events.

**Table 8-23. Channel-2 Critical-Alert Limit Register**

15	14	13	12	11	10	9	8	7	6	5	4	3	2	1	0
C2L12	C2L11	C2L10	C2L9	C2L8	C2L7	C2L6	C2L5	C2L4	C2L3	C2L2	C2L1	C2L0	—	—	—
RW-0	RW-1	RW-1	RW-1	RW-1	RW-1	RW-1	RW-1	RW-1	RW-1	RW-1	RW-1	RW-1	RW-0	RW-0	RW-0

LEGEND: R/W = Read/Write; R = Read only; -n = value after reset

**Table 8-24. Channel-2 Critical-Alert Limit Register Field Descriptions**

Bit	Field	Type	Reset	Description
15-3	C2L12-0	R/W	FFFh	Channel-2 critical-alert-limit data bits
2-0	Reserved	R/W	0h	Reserved

### 8.6.2.11 Channel-2 Warning-Alert Limit Register (address = 0Ah) [reset = 7FF8h]

This register contains the value used to compare to the averaged shunt voltage value of channel 2 to detect a longer duration overcurrent event.

**Table 8-25. Channel-2 Warning-Alert Limit Register**

15	14	13	12	11	10	9	8	7	6	5	4	3	2	1	0
W2L12	W2L11	W2L10	W2L9	W2L8	W2L7	W2L6	W2L5	W2L4	W2L3	W2L2	W2L1	W2L0	—	—	—
RW-0	RW-1	RW-1	RW-1	RW-1	RW-1	RW-1	RW-1	RW-1	RW-1	RW-1	RW-1	RW-1	RW-0	RW-0	RW-0

LEGEND: R/W = Read/Write; R = Read only; -n = value after reset

**Table 8-26. Channel-2 Warning-Alert Limit Register Field Descriptions**

Bit	Field	Type	Reset	Description
15-3	W2L12-0	R/W	FFFh	Channel-2 warning-alert-limit data bits
2-0	Reserved	R/W	0h	Reserved

### 8.6.2.12 Channel-3 Critical-Alert Limit Register (address = 0Bh) [reset = 7FF8h]

This register contains the value used to compare to each shunt voltage conversion on channel 3 to detect fast overcurrent events.

**Table 8-27. Channel-3 Critical-Alert Limit Register**

15	14	13	12	11	10	9	8	7	6	5	4	3	2	1	0
C3L12	C3L11	C3L10	C3L9	C3L8	C3L7	C3L6	C3L5	C3L4	C3L3	C3L2	C3L1	C3L0	—	—	—
RW-0	RW-1	RW-1	RW-1	RW-1	RW-1	RW-1	RW-1	RW-1	RW-1	RW-1	RW-1	RW-1	RW-0	RW-0	RW-0

LEGEND: R/W = Read/Write; R = Read only; -n = value after reset

**Table 8-28. Channel-3 Critical-Alert Limit Register Field Descriptions**

Bit	Field	Type	Reset	Description
15-3	C3L12-0	R/W	FFFh	Channel-3 critical-alert-limit data bits
2-0	Reserved	R/W	0h	Reserved

### 8.6.2.13 Channel-3 Warning-Alert Limit Register (address = 0Ch) [reset = 7FF8h]

This register contains the value used to compare to the averaged shunt voltage value of channel 3 to detect a longer duration overcurrent event.

**Table 8-29. Channel-3 Warning-Alert Limit Register**

15	14	13	12	11	10	9	8	7	6	5	4	3	2	1	0
W3L12	W3L11	W3L10	W3L9	W3L8	W3L7	W3L6	W3L5	W3L4	W3L3	W3L2	W3L1	W3L0	—	—	—
RW-0	RW-1	RW-1	RW-1	RW-1	RW-1	RW-1	RW-1	RW-1	RW-1	RW-1	RW-1	RW-1	RW-0	RW-0	RW-0

LEGEND: R/W = Read/Write; R = Read only; -n = value after reset

**Table 8-30. Channel-3 Warning-Alert Limit Register Field Descriptions**

Bit	Field	Type	Reset	Description
15-3	W3L12-0	R/W	FFFh	Channel-3 warning-alert limit data bits
2-0	Reserved	R/W	0h	Reserved



### 8.6.2.14 Shunt-Voltage Sum Register (address = 0Dh) [reset = 00h]

This register contains the sum of the single conversion shunt voltages of the selected channels based on the summation control bits 12, 13, and 14 in the Mask/Enable register.

This register is updated with the most recent sum following each complete cycle of all selected channels. The Shunt-Voltage Sum register LSB value is 40  $\mu$ V.

**Table 8-31. Shunt-Voltage Sum Register**

15	14	13	12	11	10	9	8	7	6	5	4	3	2	1	0
SIGN	SV13	SV12	SV11	SV10	SV9	SV8	SV7	SV6	SV5	SV4	SV3	SV2	SV1	SV0	—
R-0	R-0	R-0	R-0	R-0	R-0	R-0	R-0	R-0	R-0	R-0	R-0	R-0	R-0	R-0	R-0

LEGEND: R/W = Read/Write; R = Read only; -n = value after reset

**Table 8-32. Shunt-Voltage Sum Register Field Descriptions**

Bit	Field	Type	Reset	Description
15	SIGN	R	0h	Sign bit. 0 = positive number 1 = negative number in twos complement format
14-1	SV13-0	R	0h	Shunt-voltage sum data bits
0	Reserved	R	0h	Reserved

### 8.6.2.15 Shunt-Voltage Sum-Limit Register (address = 0Eh) [reset = 7FEh]

This register contains the value that is compared to the Shunt-Voltage Sum register value following each completed cycle of all selected channels to detect for system overcurrent events. The Shunt-Voltage Sum-Limit register LSB value is 40  $\mu$ V.

**Table 8-33. Shunt-Voltage Sum-Limit Register**

15	14	13	12	11	10	9	8	7	6	5	4	3	2	1	0
SIGN	SVL13	SVL12	SVL11	SVL10	SVL9	SVL8	SVL7	SVL6	SVL5	SVL4	SVL3	SVL2	SVL1	SVL0	—
RW-0	RW-1	RW-1	RW-1	RW-1	RW-1	RW-1	RW-1	RW-1	RW-1	RW-1	RW-1	RW-1	RW-1	RW-1	RW-0

LEGEND: R/W = Read/Write; R = Read only; -n = value after reset

**Table 8-34. Shunt-Voltage Sum-Limit Register Field Descriptions**

Bit	Field	Type	Reset	Description
15	SIGN	R	0h	Sign bit. 0 = positive number 1 = negative number in twos complement format
14-1	SVL13-0	R	0h	Shunt-voltage sum-limit data bits
0	Reserved	R	0h	Reserved

### 8.6.2.16 Mask/Enable Register (address = 0Fh) [reset = 0002h]

This register selects which function is enabled to control the Critical alert and Warning alert pins, and how each warning alert responds to the corresponding channel. Read the Mask/Enable register to clear any flag results present. Writing to this register does not clear the flag bit status. To make sure that there is no uncertainty in the warning function setting that resulted in a flag bit being set, the Mask/Enable register should be read from to clear the flag bit status before changing the warning function setting.

**Table 8-35. Mask/Enable Register**

15	14	13	12	11	10	9	8	7	6	5	4	3	2	1	0
—	SCC1	SCC2	SCC3	WEN	CEN	CF1	CF2	CF3	SF	WF1	WF2	WF3	PVF	TCF	CVRF
RW-0	RW-0	RW-0	RW-0	RW-0	RW-0	RW-0	RW-0	RW-0	RW-0	RW-0	RW-0	RW-0	RW-0	RW-1	RW-0

LEGEND: R/W = Read/Write; R = Read only; -n = value after reset

**Table 8-36. Mask/Enable Register Field Descriptions**

Bit	Field	Type	Reset	Description
15	Reserved	R/W	0h	Reserved
14-12	SCC1-3	R/W	0h	Summation channel control. These bits determine which shunt voltage measurement channels are enabled to fill the Shunt-Voltage Sum register. The selection of these bits does not impact the individual channel enable or disable status, or the corresponding channel measurements. The corresponding bit is used to select if the channel is used to fill the Shunt-Voltage Sum register. 0 = Disabled (default) 1 = Enabled
11	WEN	R/W	0h	Warning alert latch enable. These bits configure the latching feature of the Warning alert pin. 0 = Transparent (default) 1 = Latch enabled
10	CEN	R/W	0h	Critical alert latch enable. These bits configure the latching feature of the Critical alert pin. 0 = Transparent (default) 1 = Latch enabled
9-7	CF1-3	R/W	0h	Critical-alert flag indicator. These bits are asserted if the corresponding channel measurement has exceeded the critical alert limit resulting in the Critical alert pin being asserted. Read these bits to determine which channel caused the critical alert. The critical alert flag bits are cleared when the Mask/Enable register is read back.
6	SF	R/W	0h	Summation-alert flag indicator. This bit is asserted if the Shunt Voltage Sum register exceeds the Shunt Voltage Sum Limit register. If the summation alert flag is asserted, the Critical alert pin is also asserted. The Summation Alert Flag bit is cleared when the Mask/Enable register is read back.
5-3	WF1-3	R/W	0h	Warning-alert flag indicator. These bits are asserted if the corresponding channel averaged measurement has exceeded the warning alert limit, resulting in the Warning alert pin being asserted. Read these bits to determine which channel caused the warning alert. The Warning Alert Flag bits clear when the Mask/Enable register is read back.
2	PVF	R/W	0h	Power-valid-alert flag indicator. This bit can be used to be able to determine if the power valid (PV) alert pin has been asserted through software rather than hardware. The bit setting corresponds to the status of the PV pin. This bit does not clear until the condition that caused the alert is removed, and the PV pin has cleared.
1	TCF	R/W	11h	Timing-control-alert flag indicator. Use this bit to determine if the timing control (TC) alert pin has been asserted through software rather than hardware. The bit setting corresponds to the status of the TC pin. This bit does not clear after it has been asserted unless the power is recycled or a software reset is issued. The default state for the timing control alert flag is high.

**Table 8-36. Mask/Enable Register Field Descriptions (continued)**

Bit	Field	Type	Reset	Description
0	CVRF	R/W	0h	Conversion-ready flag. Although the INA3221-Q1 can be read at any time, and the data from the last conversion are available, the conversion ready bit is provided to help coordinate single-shot conversions. The conversion ready bit is set after all conversions are complete. Conversion ready clears under the following conditions: <ol style="list-style-type: none"> <li>Writing the Configuration register (except for power-down or disable-mode selections).</li> <li>Reading the Mask/Enable register.</li> </ol>

**8.6.2.17 Power-Valid Upper-Limit Register (address = 10h) [reset = 2710h]**

This register contains the value used to determine if the power-valid conditions are met. The power-valid condition is reached when all bus-voltage channels exceed the value set in this limit register. When the power-valid condition is met, the PV alert pin asserts high to indicate that the INA3221-Q1 has confirmed all bus voltage channels are above the power-valid upper-limit value. In order for the power-valid conditions to be monitored, the bus measurements must be enabled through one of the corresponding MODE bits set in the Configuration register. The power-valid upper-limit LSB value is 8 mV. Power-on reset value is 2710h = 10.000 V.

**Table 8-37. Power-Valid Upper-Limit Register**

15	14	13	12	11	10	9	8	7	6	5	4	3	2	1	0
SIGN	PVU11	PVU10	PVU9	PVU8	PVU7	PVU6	PVU5	PVU4	PVU3	PVU2	PVU1	PVU0	—	—	—
RW-0	RW-0	RW-1	RW-0	RW-0	RW-1	RW-1	RW-1	RW-0	RW-0	RW-0	RW-1	RW-0	RW-0	RW-0	RW-0

LEGEND: R/W = Read/Write; R = Read only; -n = value after reset

**Table 8-38. Power-Valid Upper-Limit Register Field Descriptions**

Bit	Field	Type	Reset	Description
15	SIGN	R/W	0h	Sign bit. 0 = positive number 1 = negative number in twos complement format
14-3	PVU11-0	R/W	4E2h	Power-valid upper-limit data bits
2-0	Reserved	R/W	0h	Reserved

**8.6.2.18 Power-Valid Lower-Limit Register (address = 11h) [reset = 2328h]**

This register contains the value used to determine if any of the bus-voltage channels drops below the power-valid lower-limit when the power-valid conditions are met. This limit contains the value used to compare all bus-channel readings to make sure that all channels remain above the power-valid lower-limit, thus maintaining the power-valid condition. If any bus-voltage channel drops below the power-valid lower-limit, the PV alert pin pulls low to indicate that the INA3221-Q1 detects a bus voltage reading below the power-valid lower-limit. In order for the power-valid condition to be monitored, the bus measurements must be enabled through the mode (MODE3-1) bits set in the Configuration register. The power-valid lower-limit LSB value is 8 mV. Power-on reset value is 2328h = 9.000 V.

**Table 8-39. Power-Valid Lower-Limit Register**

15	14	13	12	11	10	9	8	7	6	5	4	3	2	1	0
SIGN	PVL11	PVL10	PVL9	PVL8	PVL7	PVL6	PVL5	PVL4	PVL3	PVL2	PVL1	PVL0	—	—	—
RW-0	RW-0	RW-1	RW-0	RW-0	RW-0	RW-1	RW-1	RW-0	RW-0	RW-1	RW-0	RW-1	RW-0	RW-0	RW-0

LEGEND: R/W = Read/Write; R = Read only; -n = value after reset

**Table 8-40. Power-Valid Lower-Limit Register Field Descriptions**

Bit	Field	Type	Reset	Description
15	SIGN	R/W	0h	Sign bit. 0 = positive number 1 = negative number in twos complement format
14-3	PVL11-0	R/W	465h	Power-valid lower-limit data bits
2-0	Reserved	R/W	0h	Reserved

**8.6.2.19 Manufacturer ID Register (address = FEh) [reset = 5449h]**

This register contains a factory-programmable identification value that identifies this device as being manufactured by Texas Instruments. This register distinguishes this device from other devices that are on the same I<sup>2</sup>C bus. The contents of this register are 5449h, or TI in ASCII.

**Table 8-41. Manufacturer ID Register**

15	14	13	12	11	10	9	8	7	6	5	4	3	2	1	0
D15	D14	D13	D12	D11	D10	D9	D8	D7	D6	D5	D4	D3	D2	D1	D0
R-0	R-1	R-0	R-1	R-0	R-1	R-0	R-0	R-0	R-1	R-0	R-0	R-1	R-0	R-0	R-1

LEGEND: R/W = Read/Write; R = Read only; -n = value after reset

**Table 8-42. Manufacturer ID Register Field Descriptions**

Bit	Field	Type	Reset	Description
15-0	D15-0	R	5449h	Manufacturer ID bits

**8.6.2.20 Die ID Register (address = FFh) [reset = 3220]**

This register contains a factory-programmable identification value that identifies this device as an INA3221-Q1. This register distinguishes this device from other devices that are on the same I<sup>2</sup>C bus. The Die ID for the INA3221-Q1 is 3220h.

**Table 8-43. Die ID Register**

15	14	13	12	11	10	9	8	7	6	5	4	3	2	1	0
D15	D14	D13	D12	D11	D10	D9	D8	D7	D6	D5	D4	D3	D2	D1	D0
R-0	R-0	R-1	R-1	R-0	R-0	R-1	R-0	R-0	R-0	R-1	R-0	R-0	R-0	R-0	R-0

LEGEND: R/W = Read/Write; R = Read only; -n = value after reset

**Table 8-44. Die ID Register Field Descriptions**

Bit	Field	Type	Reset	Description
15-0	D15-0	R	3220h	Die ID bits

## 9 Application and Implementation

### Note

Information in the following applications sections is not part of the TI component specification, and TI does not warrant its accuracy or completeness. TI's customers are responsible for determining suitability of components for their purposes, as well as validating and testing their design implementation to confirm system functionality.

### 9.1 Application Information

INA3221 is a three-channel current and bus voltage monitor with I<sup>2</sup>C/SMBUS-compatible interface. It features programmable conversion times and averaging modes and offers both critical and warning alerts to detect multiple programmable out-of-range conditions for each channel.

### 9.2 Typical Application

The INA3221-Q1 measures the voltage developed across a current-sensing resistor when current passes through it. The device also measures the bus supply voltage at the IN- pin. Multiple monitoring functions are supported using four alert pins: Critical, Warning, PV, and TC. Programmable thresholds make sure operation is within desired operating conditions. This design illustrates the ability of the Critical alert pin to respond to a set threshold.

Figure 9-1 illustrates a typical INA3221-Q1 application circuit using all three channels. For best performance, use a 0.1- $\mu$ F ceramic capacitor for power-supply bypassing, placed as close as possible to the supply and ground pins. The digital pins (SCL, SDA, Critical, Warning, TC) are connected to supply through pull-up resistors. The power valid (PV) alert pin is connected to the VPU pin through a pull-up resistor to enable power-valid monitoring.

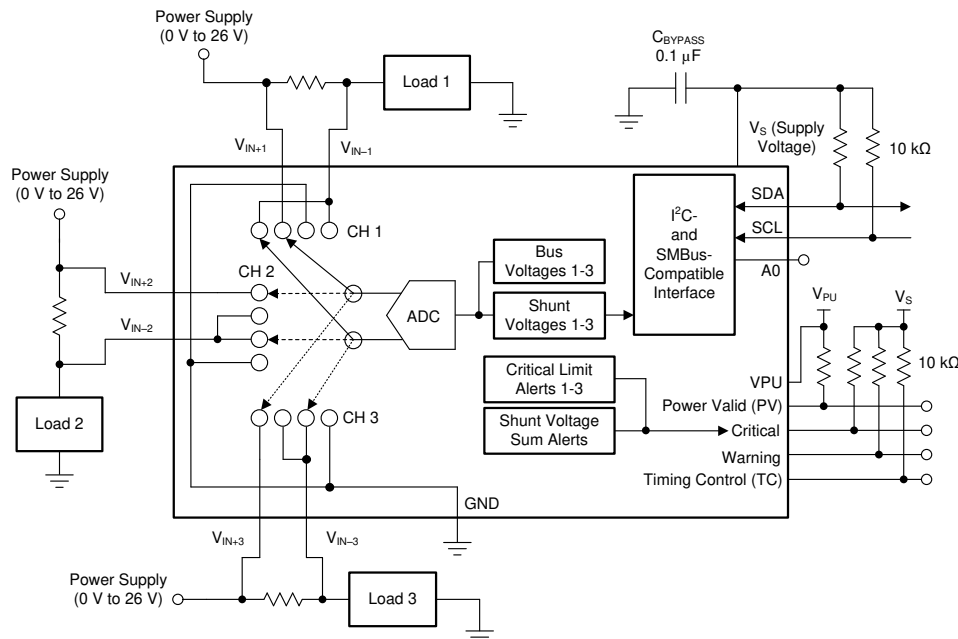


Figure 9-1. INA3221-Q1 as an Overcurrent Sensor

### 9.2.1 Design Requirements

For this design example, use the input parameters shown in [Table 9-1](#). All other register settings are default.

**Table 9-1. Design Parameters**

DESIGN PARAMETER	EXAMPLE VALUE
Supply voltage, $V_S$	5 V
Pull-up resistors	10 k $\Omega$
Input range	-163.84 to +163.8
Enabled channel	CH1
Operating mode	Shunt voltage, continuous
Average setting	1
Critical alert limit	80 mV
Critical Alert Limit register setting	7D0h

### 9.2.2 Detailed Design Procedure

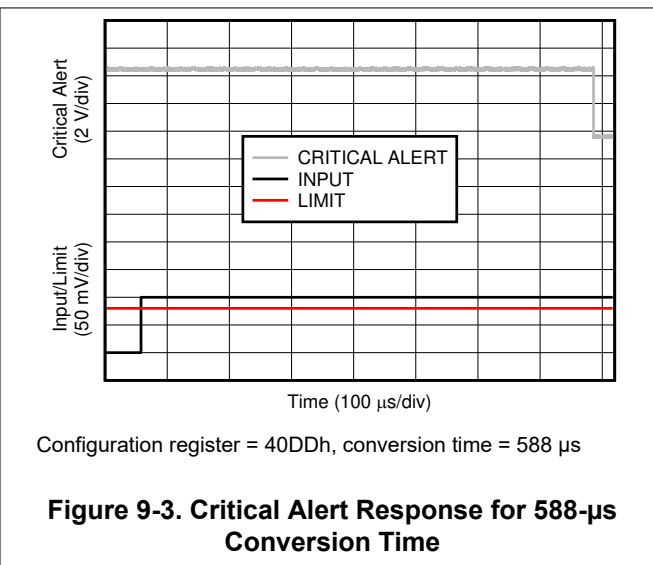
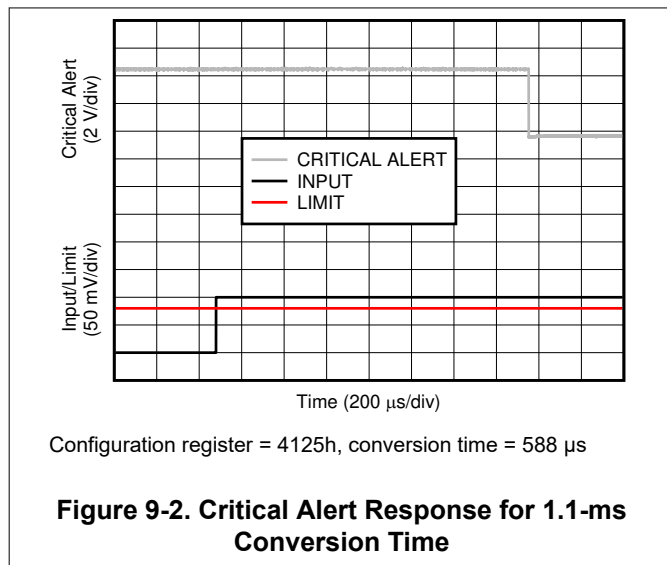
This design shows two shunt voltage conversion times in order to demonstrate the difference in the alert response times. This design generates a critical-alert response when the input voltage exceeds 80 mV on channel 1. See [Table 9-1](#) for all design parameters.

For the first example the shunt voltage conversion time is set to 1.1 ms. When the input signal exceeds 80 mV, the Critical alert pin pulls low after the conversion cycle completes, indicating an overcurrent condition, as shown in [Figure 9-2](#).

For the second example, the conversion time is set to 588  $\mu$ s, and the response is shown in [Figure 9-3](#).

### 9.2.3 Application Curves

[Figure 9-2](#) shows the Critical alert pin response to a shunt voltage overlimit of 80 mV for a conversion time of 1.1 ms. [Figure 9-3](#) shows the response for the same limit, but with the conversion time reduced to 588  $\mu$ s.



## 10 Power Supply Recommendations

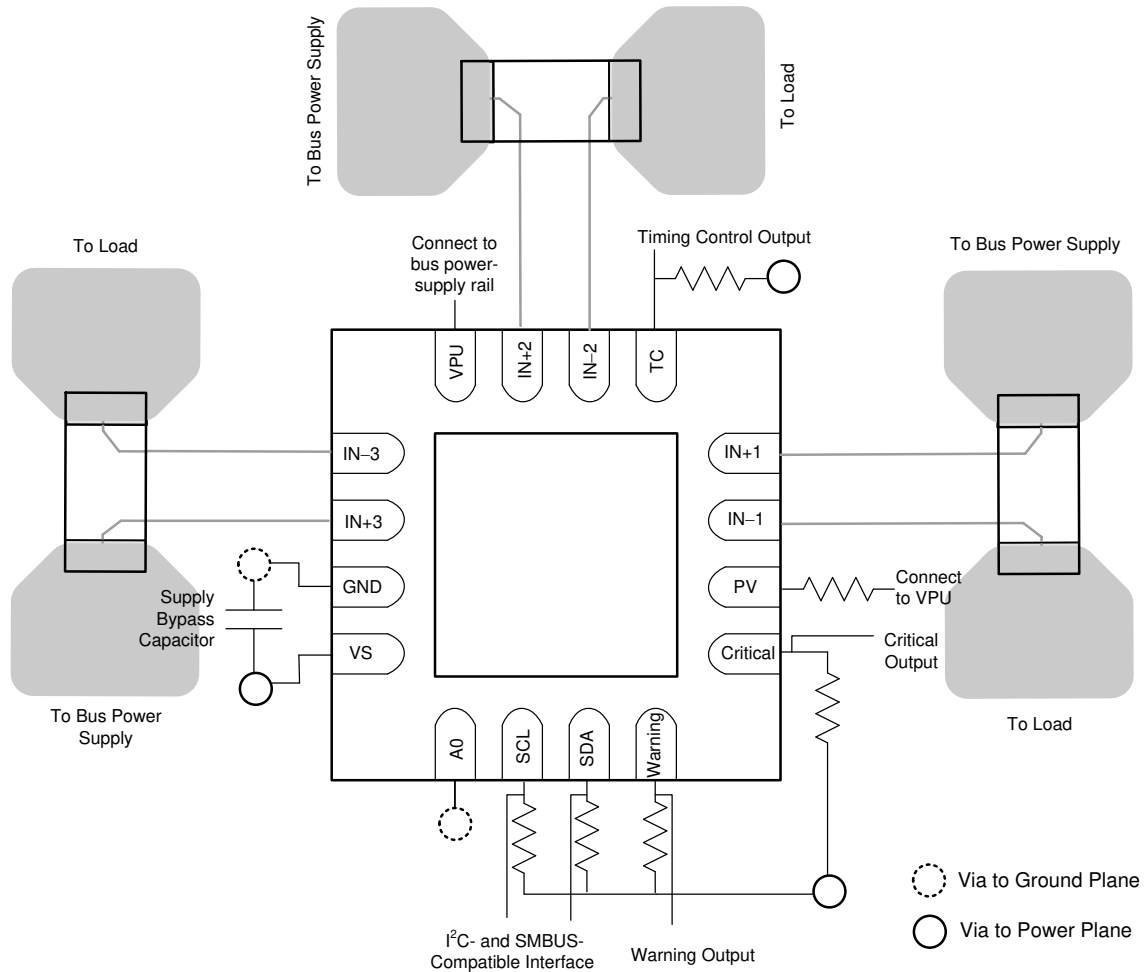
The input circuitry of the device can accurately measure signals on common-mode voltages beyond its power supply voltage,  $V_S$ . For example, the voltage applied to the  $V_S$  power supply terminal can be 5 V, whereas the load power-supply voltage being monitored (the common-mode voltage) on any one of the three channels can be as high as 26 V. Note also that the device can withstand the full 0-V to 26-V range at the input terminals, regardless of whether the device has power applied or not. Place the required power-supply bypass capacitors as close as possible to the supply and ground terminals of the device to ensure stability. A typical value for this supply bypass capacitor is 0.1  $\mu$ F. Applications with noisy or high-impedance power supplies may require additional decoupling capacitors to reject power-supply noise.

## 11 Layout

### 11.1 Layout Guidelines

Connect the input pins (IN+ and IN–) of all the used channels to the sensing resistor using a Kelvin connection or a 4-wire connection. These connection techniques ensure that only the current-sensing resistor impedance is detected between the input pins. Poor routing of the current-sensing resistor commonly results in additional resistance present between the input pins. Given the very low ohmic value of the current-sensing resistor, any additional high-current carrying impedance causes significant measurement errors. Place the power-supply bypass capacitor as close as possible to the supply and ground pins.

### 11.2 Layout Example



**Figure 11-1. Layout Example**



## 12 Device and Documentation Support

### 12.1 Device Support

#### 12.1.1 Development Support

- For INA3221 evaluation module (EVM), go to [www.ti.com/tool/INA3221EVM](http://www.ti.com/tool/INA3221EVM)

### 12.2 Documentation Support

#### 12.2.1 Related Documentation

- INA3221EVM User Guide, [SBOU126](#)

### 12.3 Receiving Notification of Documentation Updates

To receive notification of documentation updates, navigate to the device product folder on [ti.com](http://ti.com). Click on *Subscribe to updates* to register and receive a weekly digest of any product information that has changed. For change details, review the revision history included in any revised document.

### 12.4 Support Resources

[TI E2E™ support forums](#) are an engineer's go-to source for fast, verified answers and design help — straight from the experts. Search existing answers or ask your own question to get the quick design help you need.

Linked content is provided "AS IS" by the respective contributors. They do not constitute TI specifications and do not necessarily reflect TI's views; see TI's [Terms of Use](#).

### 12.5 Trademarks

TI E2E™ is a trademark of Texas Instruments.

All trademarks are the property of their respective owners.

### 12.6 Electrostatic Discharge Caution



This integrated circuit can be damaged by ESD. Texas Instruments recommends that all integrated circuits be handled with appropriate precautions. Failure to observe proper handling and installation procedures can cause damage.

ESD damage can range from subtle performance degradation to complete device failure. Precision integrated circuits may be more susceptible to damage because very small parametric changes could cause the device not to meet its published specifications.

### 12.7 Glossary

[TI Glossary](#) This glossary lists and explains terms, acronyms, and definitions.

## 13 Mechanical, Packaging, and Orderable Information

The following pages include mechanical, packaging, and orderable information. This information is the most current data available for the designated devices. This data is subject to change without notice and revision of this document. For browser-based versions of this data sheet, refer to the left-hand navigation.

**PACKAGING INFORMATION**

Orderable Device	Status (1)	Package Type	Package Drawing	Pins	Package Qty	Eco Plan (2)	Lead finish/ Ball material (6)	MSL Peak Temp (3)	Op Temp (°C)	Device Marking (4/5)	Samples
INA3221AQRGVRQ1	ACTIVE	VQFN	RGV	16	2500	RoHS & Green	NIPDAU	Level-2-260C-1 YEAR	-40 to 125	I32 21Q1	<b>Samples</b>

(1) The marketing status values are defined as follows:

**ACTIVE:** Product device recommended for new designs.

**LIFEBUY:** TI has announced that the device will be discontinued, and a lifetime-buy period is in effect.

**NRND:** Not recommended for new designs. Device is in production to support existing customers, but TI does not recommend using this part in a new design.

**PREVIEW:** Device has been announced but is not in production. Samples may or may not be available.

**OBSOLETE:** TI has discontinued the production of the device.

(2) **RoHS:** TI defines "RoHS" to mean semiconductor products that are compliant with the current EU RoHS requirements for all 10 RoHS substances, including the requirement that RoHS substance do not exceed 0.1% by weight in homogeneous materials. Where designed to be soldered at high temperatures, "RoHS" products are suitable for use in specified lead-free processes. TI may reference these types of products as "Pb-Free".

**RoHS Exempt:** TI defines "RoHS Exempt" to mean products that contain lead but are compliant with EU RoHS pursuant to a specific EU RoHS exemption.

**Green:** TI defines "Green" to mean the content of Chlorine (Cl) and Bromine (Br) based flame retardants meet JS709B low halogen requirements of <=100ppm threshold. Antimony trioxide based flame retardants must also meet the <=1000ppm threshold requirement.

(3) MSL, Peak Temp. - The Moisture Sensitivity Level rating according to the JEDEC industry standard classifications, and peak solder temperature.

(4) There may be additional marking, which relates to the logo, the lot trace code information, or the environmental category on the device.

(5) Multiple Device Markings will be inside parentheses. Only one Device Marking contained in parentheses and separated by a "~" will appear on a device. If a line is indented then it is a continuation of the previous line and the two combined represent the entire Device Marking for that device.

(6) Lead finish/Ball material - Orderable Devices may have multiple material finish options. Finish options are separated by a vertical ruled line. Lead finish/Ball material values may wrap to two lines if the finish value exceeds the maximum column width.

**Important Information and Disclaimer:**The information provided on this page represents TI's knowledge and belief as of the date that it is provided. TI bases its knowledge and belief on information provided by third parties, and makes no representation or warranty as to the accuracy of such information. Efforts are underway to better integrate information from third parties. TI has taken and continues to take reasonable steps to provide representative and accurate information but may not have conducted destructive testing or chemical analysis on incoming materials and chemicals. TI and TI suppliers consider certain information to be proprietary, and thus CAS numbers and other limited information may not be available for release.

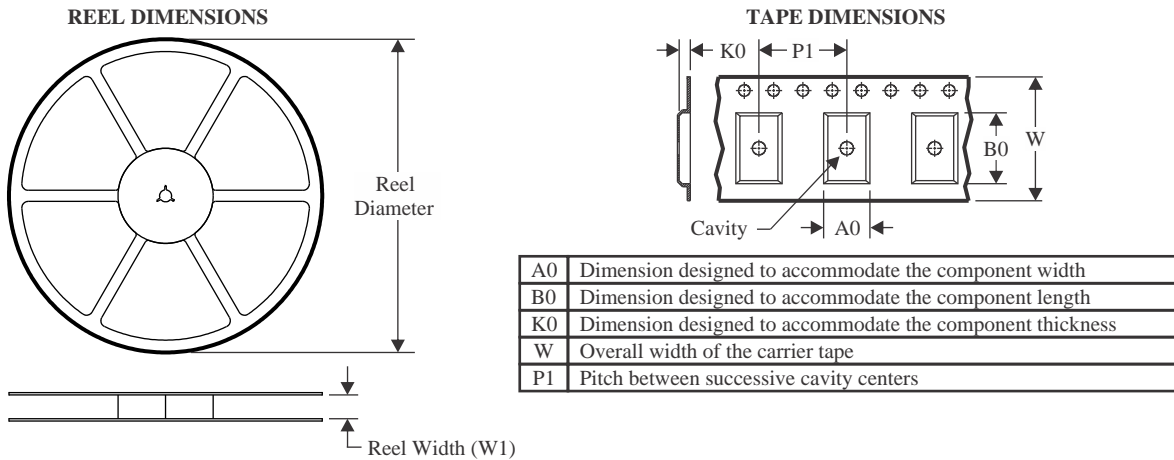
In no event shall TI's liability arising out of such information exceed the total purchase price of the TI part(s) at issue in this document sold by TI to Customer on an annual basis.

**OTHER QUALIFIED VERSIONS OF INA3221-Q1 :**

- Catalog: [INA3221](#)

## NOTE: Qualified Version Definitions:

- Catalog - TI's standard catalog product

**TAPE AND REEL INFORMATION**

**QUADRANT ASSIGNMENTS FOR PIN 1 ORIENTATION IN TAPE**


\*All dimensions are nominal

Device	Package Type	Package Drawing	Pins	SPQ	Reel Diameter (mm)	Reel Width W1 (mm)	A0 (mm)	B0 (mm)	K0 (mm)	P1 (mm)	W (mm)	Pin1 Quadrant
INA3221AQRGVRQ1	VQFN	RGV	16	2500	330.0	12.4	4.25	4.25	1.15	8.0	12.0	Q2

**TAPE AND REEL BOX DIMENSIONS**


\*All dimensions are nominal

Device	Package Type	Package Drawing	Pins	SPQ	Length (mm)	Width (mm)	Height (mm)
INA3221AQRGVRQ1	VQFN	RGV	16	2500	346.0	346.0	33.0

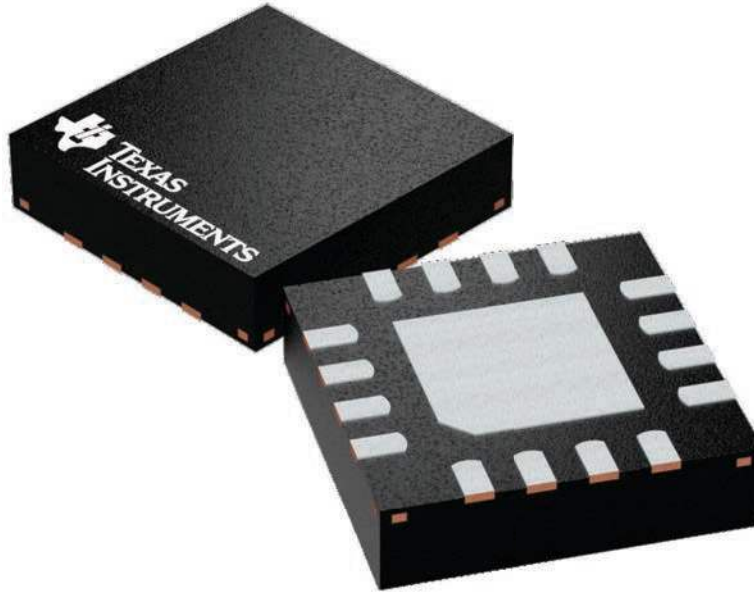
## GENERIC PACKAGE VIEW

**RGV 16**

**VQFN - 1 mm max height**

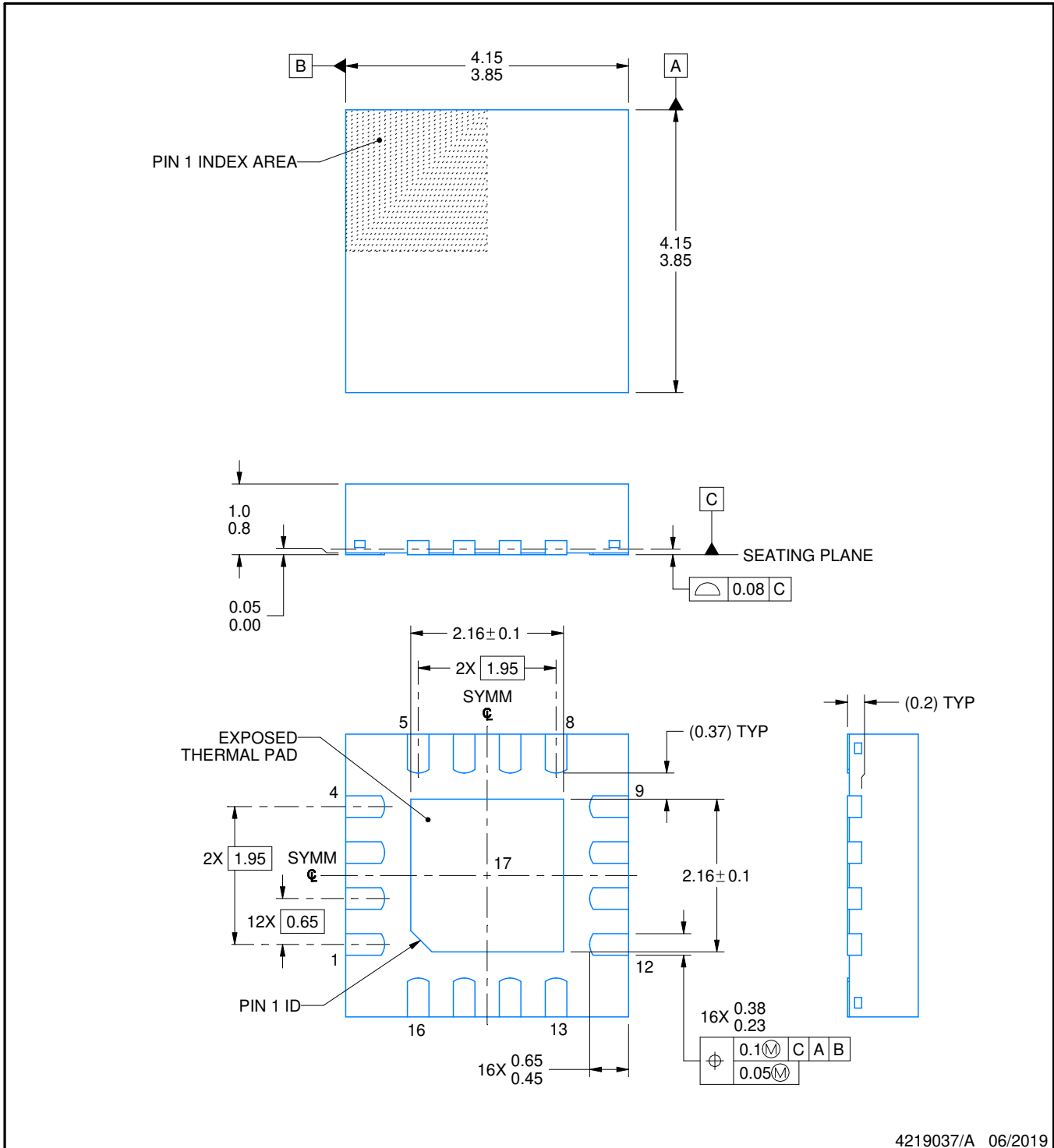
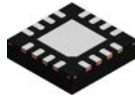
4 x 4, 0.65 mm pitch

PLASTIC QUAD FLATPACK - NO LEAD



Images above are just a representation of the package family, actual package may vary.  
Refer to the product data sheet for package details.

4224748/A



4219037/A 06/2019

NOTES:

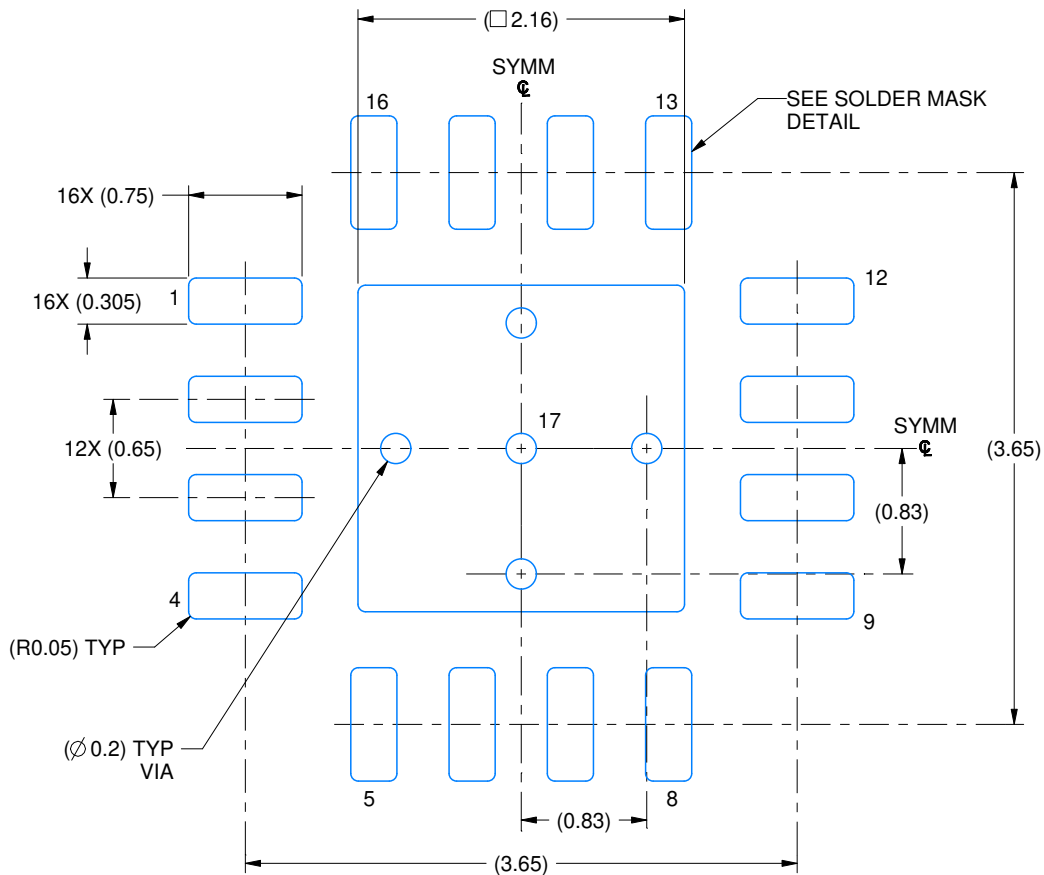
1. All linear dimensions are in millimeters. Any dimensions in parenthesis are for reference only. Dimensioning and tolerancing per ASME Y14.5M.
2. This drawing is subject to change without notice.
3. The package thermal pad must be soldered to the printed circuit board for thermal and mechanical performance.

# EXAMPLE BOARD LAYOUT

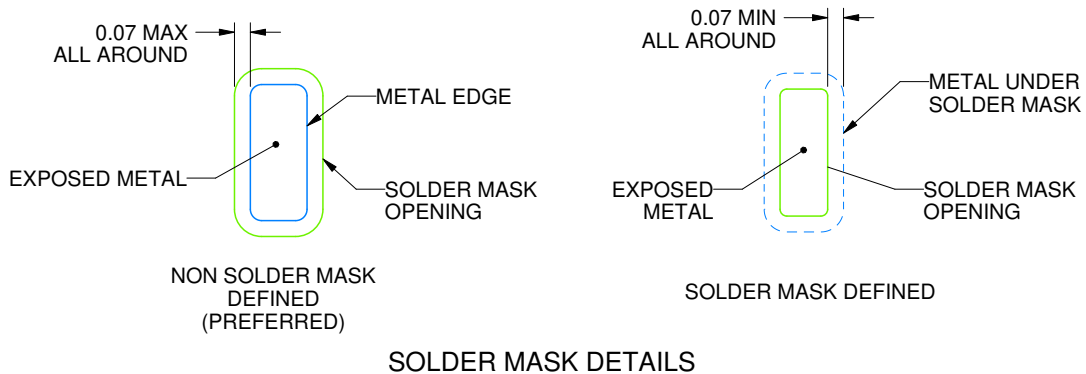
RGV0016A

VQFN - 1 mm max height

PLASTIC QUAD FLATPACK - NO LEAD



LAND PATTERN EXAMPLE  
EXPOSED METAL SHOWN  
SCALE: 20X



4219037/A 06/2019

NOTES: (continued)

- This package is designed to be soldered to a thermal pad on the board. For more information, see Texas Instruments literature number SLUA271 ([www.ti.com/lit/slua271](http://www.ti.com/lit/slua271)).
- Vias are optional depending on application, refer to device data sheet. If any vias are implemented, refer to their locations shown on this view. It is recommended that vias under paste be filled, plugged or tented.

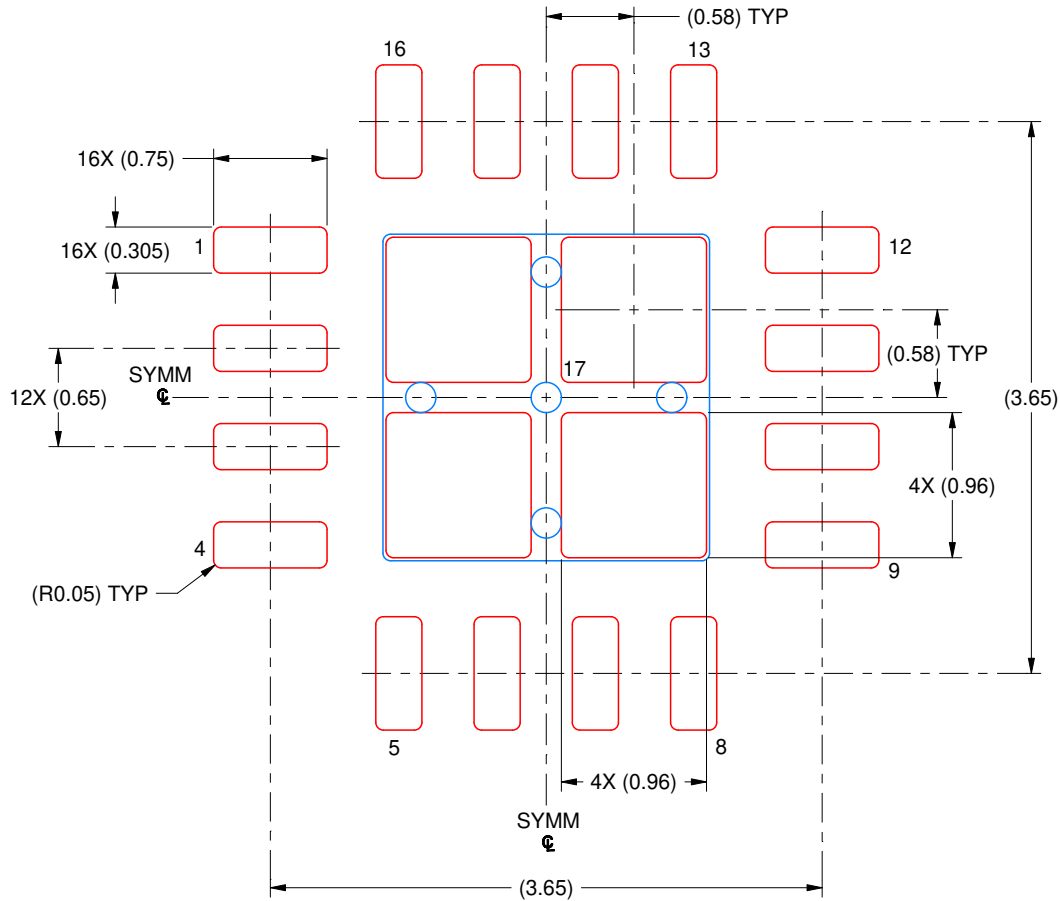


# EXAMPLE STENCIL DESIGN

RGV0016A

VQFN - 1 mm max height

PLASTIC QUAD FLATPACK - NO LEAD



SOLDER PASTE EXAMPLE  
BASED ON 0.125 MM THICK STENCIL  
SCALE: 20X

EXPOSED PAD 17  
79% PRINTED SOLDER COVERAGE BY AREA UNDER PACKAGE

4219037/A 06/2019

NOTES: (continued)

6. Laser cutting apertures with trapezoidal walls and rounded corners may offer better paste release. IPC-7525 may have alternate design recommendations.

## IMPORTANT NOTICE AND DISCLAIMER

TI PROVIDES TECHNICAL AND RELIABILITY DATA (INCLUDING DATA SHEETS), DESIGN RESOURCES (INCLUDING REFERENCE DESIGNS), APPLICATION OR OTHER DESIGN ADVICE, WEB TOOLS, SAFETY INFORMATION, AND OTHER RESOURCES "AS IS" AND WITH ALL FAULTS, AND DISCLAIMS ALL WARRANTIES, EXPRESS AND IMPLIED, INCLUDING WITHOUT LIMITATION ANY IMPLIED WARRANTIES OF MERCHANTABILITY, FITNESS FOR A PARTICULAR PURPOSE OR NON-INFRINGEMENT OF THIRD PARTY INTELLECTUAL PROPERTY RIGHTS.

These resources are intended for skilled developers designing with TI products. You are solely responsible for (1) selecting the appropriate TI products for your application, (2) designing, validating and testing your application, and (3) ensuring your application meets applicable standards, and any other safety, security, regulatory or other requirements.

These resources are subject to change without notice. TI grants you permission to use these resources only for development of an application that uses the TI products described in the resource. Other reproduction and display of these resources is prohibited. No license is granted to any other TI intellectual property right or to any third party intellectual property right. TI disclaims responsibility for, and you will fully indemnify TI and its representatives against, any claims, damages, costs, losses, and liabilities arising out of your use of these resources.

TI's products are provided subject to [TI's Terms of Sale](#) or other applicable terms available either on [ti.com](https://www.ti.com) or provided in conjunction with such TI products. TI's provision of these resources does not expand or otherwise alter TI's applicable warranties or warranty disclaimers for TI products.

TI objects to and rejects any additional or different terms you may have proposed.

Mailing Address: Texas Instruments, Post Office Box 655303, Dallas, Texas 75265  
Copyright © 2023, Texas Instruments Incorporated