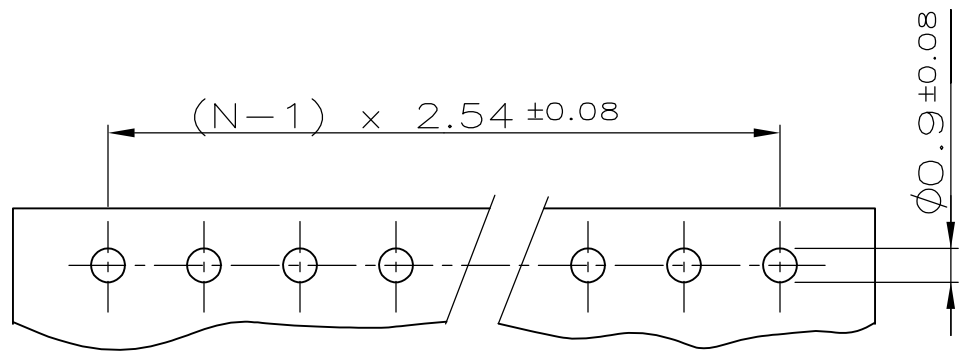
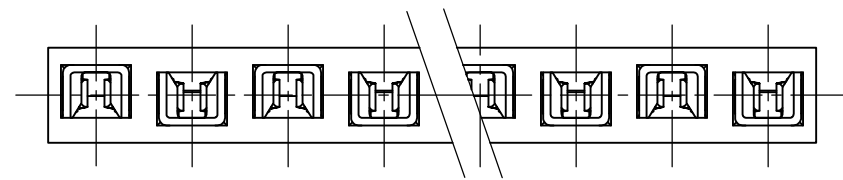
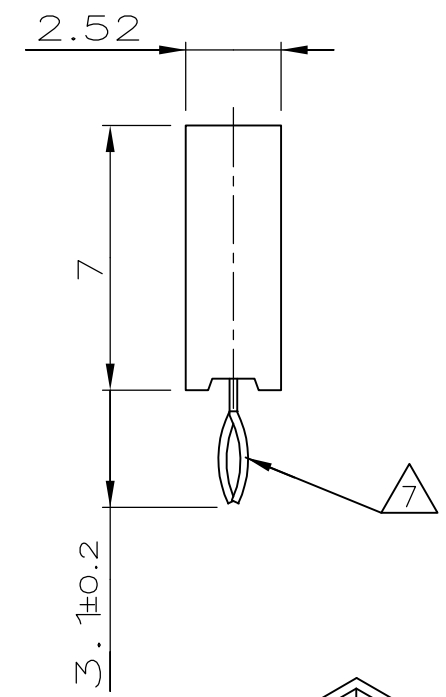
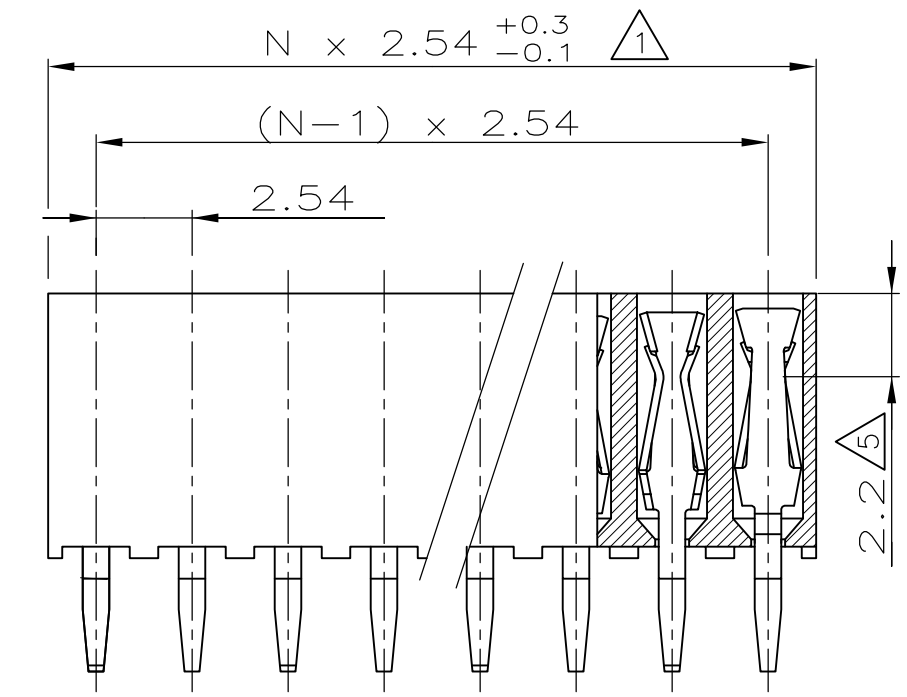


THIS DRAWING IS UNPUBLISHED. RELEASED FOR PUBLICATION
 © COPYRIGHT - By - ALL RIGHTS RESERVED.

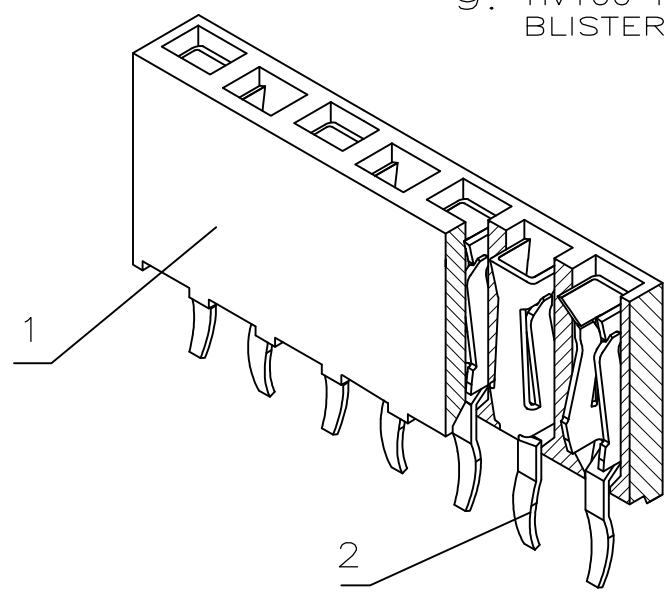
REVISIONS				
P	LTR	DESCRIPTION	DATE	APVD
C		PLATING CHANGED TO TRIBOR	10JAN2017	RP PS



P.C.-BOARD HOLE-PATTERN

NOTES:

- ① TO DETERMINE DIMENSIONS TAKE N = NO. OF POS. FOR EXAMPLE: 10 POS.: N x 2,54 = 25,4 mm.
- ② HOUSING MATERIAL: GREEN GLASS FILLED POLYESTER, UL 94V-0
CONTACT MATERIAL: PHOSPHOR BRONZE.
- ③ FINISH: TRIBOR®
UNDERPLATING: 2-4µm Ni-P(NICKEL-PHOSPHOROUS)
CONTACT AREA: 0.12-0.27µm Au(GOLD)
SOLDER TYNES: 3-5µm Sn(MATTE TIN)
- 4. MATES WITH 0,63 SQUARE/ROUND MODU POSTS.
- ⑤ CONTACT-POINT.
- 6. RECOMMENDED P.C.BOARD-THICKNESS: 1,6.
- ⑦ RETENTION FEATURE.
- 8. PERMEABILITY $\mu_r \leq 1.0005$
- 9. HV100 RECEPTACLES PACKED IN ANTI-STATIC BLISTER TRAY



ACTIVE PART NUMBERS

- 5-966444-4 (4 POS.)
- 5-966444-6 (6 POS.)
- 6-966444-0 (10 POS.)

FOR MISSING DIMENSIONS SEE PN 215297

ITEM NO.	PART DESCRIPTION	MATERIAL	FINISH
2	HV 100 CONTACT	PHOSPHOR BRONZE	③
1	HV 100 HOUSING	②	GREEN

THIS DRAWING IS A CONTROLLED DOCUMENT.		DWN F.REICHARDT 17.02-94
DIMENSIONS: mm		CHK M.SCHAARSCHMIDT 25DEC2013
TOLERANCES UNLESS OTHERWISE SPECIFIED: ±0.1 mm		APVD -
0 PLC ± -		PRODUCT SPEC 108-19056
1 PLC ± -		APPLICATION SPEC -
2 PLC ± -		WEIGHT -
3 PLC ± -		SIZE A3
4 PLC ± -		CAGE CODE 00779
ANGLES ± -		DRAWING NO C-966444
MATERIAL SEE NOTE 2	FINISH SEE NOTE 3	RESTRICTED TO -

TE Connectivity HV 100, SGL ROW, 7mm HEIGHT TOP ENTRY, NON-MAGNETIC	
SCALE 1:1	SHEET 1 OF 1
CUSTOMER DRAWING	REV C