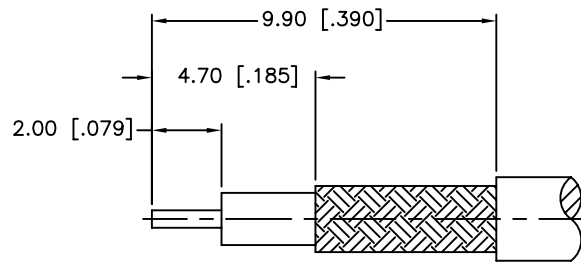
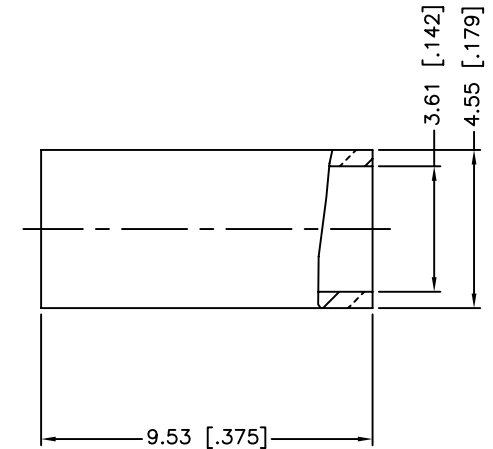
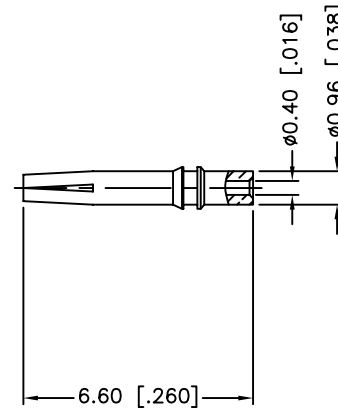
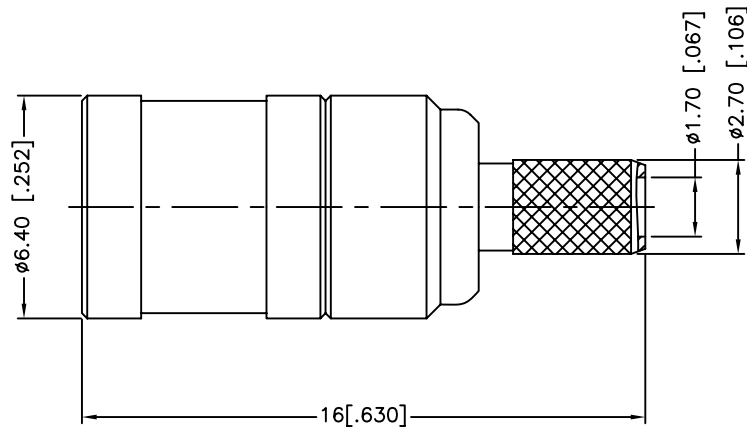
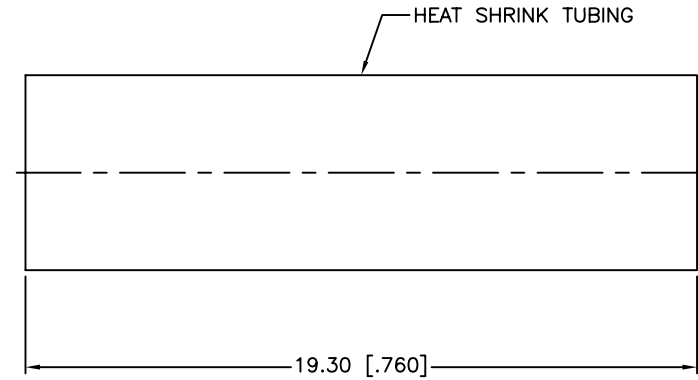


REV.	DATE	ECR NO.	DESCRIPTION
NC	10/14/09	XXXXXX	INITIAL RELEASE



RECOMMENDED
CABLE STRIPPING DIM'S



1. CRIMPED FERRULE
HEX CRIMP SIZE .151"
2. CRIMPED CONTACT PIN
SQ. CRIMP SIZE 0.7mm
OR TO SOLDER

8	HEAT SHRINK TUBING		BLACK	1
7	FERRULE	BRASS	GOLD	1
6	CONTACT PIN	BER. COPPER	GOLD	1
5	SHELL	BRASS	GOLD	1
4	RETAINER RING	BER. COPPER	NATURAL	1
3	BARREL	BRASS	GOLD	1
2	INSULATOR	PTFE	NATURAL	1
1	BODY	BRASS	GOLD	1
	DESCRIPTION	MATERIAL	FINISH	QTY

UNLESS OTHERWISE SPECIFIED DIMENSIONS ARE IN MILLIMETERS. DIMENSIONS IN [] ARE IN INCHES AND FOR CUSTOMER REFERENCE ONLY.

UNLESS OTHERWISE SPECIFIED TOLERANCES FOR MILLIMETERS ARE:
0.5 - 8mm ± 0.20mm
8 - 30mm ± 0.40mm
30 - 120mm ± 0.50mm

UNLESS OTHERWISE SPECIFIED TOLERANCES FOR INCHES ARE:
.020 - .315 = ± 0.007"
.315 - 1.180 = ± 0.015"
1.180 - 4.724 = ± 0.020"

DO NOT SCALE DRAWING

APPROVALS		DATE
DRAWN	M.ZHANG	10/14/09
CHECKED		
ISSUED		
SHEET	1 OF 1	
CAD FILE	C:/CONNEX/142187-75.DWG	

Amphenol Connex

PART DESCRIPTION			
MINI 75 OHM SMB CRIMP PLUG (FOR RG-179U/D CABLE)			
PART NO.		142187-75	
DWG. NO.	142187-75.DWG	REV.	NC
SIZE	A	SCALE	NA