

- 1
- 2
- 3
- 4
- 5
- 6
- 7
- 8
- 9
- 10
- 11
- 12
- 13
- 14
- 15
- 16
- 17
- 18

GUIDE PROFILE

Polytetrafluoroethylene based (PTFE) technopolymer, natural colour.

BRACKET

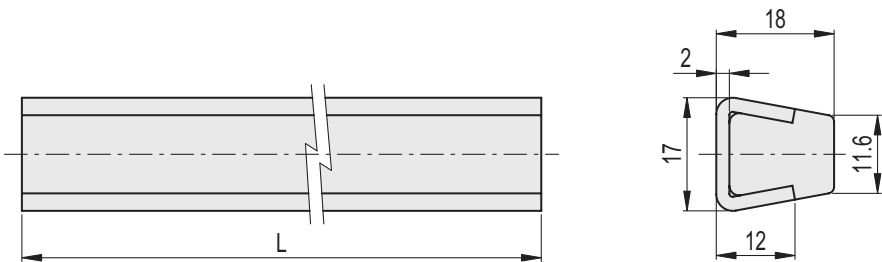
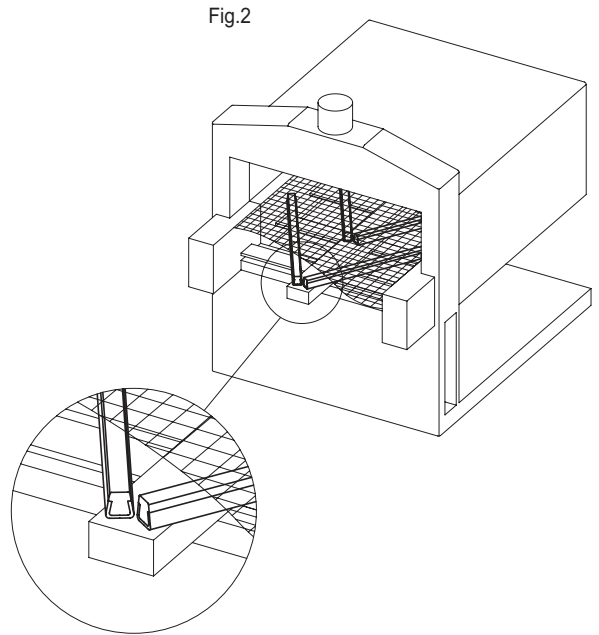
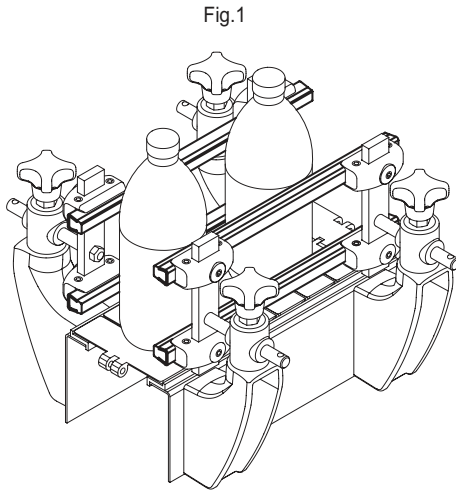
AISI 304 stainless steel.

FEATURES AND APPLICATIONS

GLP-HT guide rail is used for the side guide of products with different dimensions on conveyor belts (Fig. 1), in environments with high temperature, such as ovens, fryers, steam chambers. It can also be used as a support for metal meshes inside ovens (Fig. 2)
Supplied in bars of 1500 or 3000 mm length.

ACCESSORIES ON REQUEST

Guide rail clamps MPG-T-S, MPG-2T, MPG-T.



INOX STAINLESS STEEL METRIC

Code	Description	L	⚖️
419206	GLP-HT-12-1500	1500	1470
419207	GLP-HT-12-3000	3000	2880