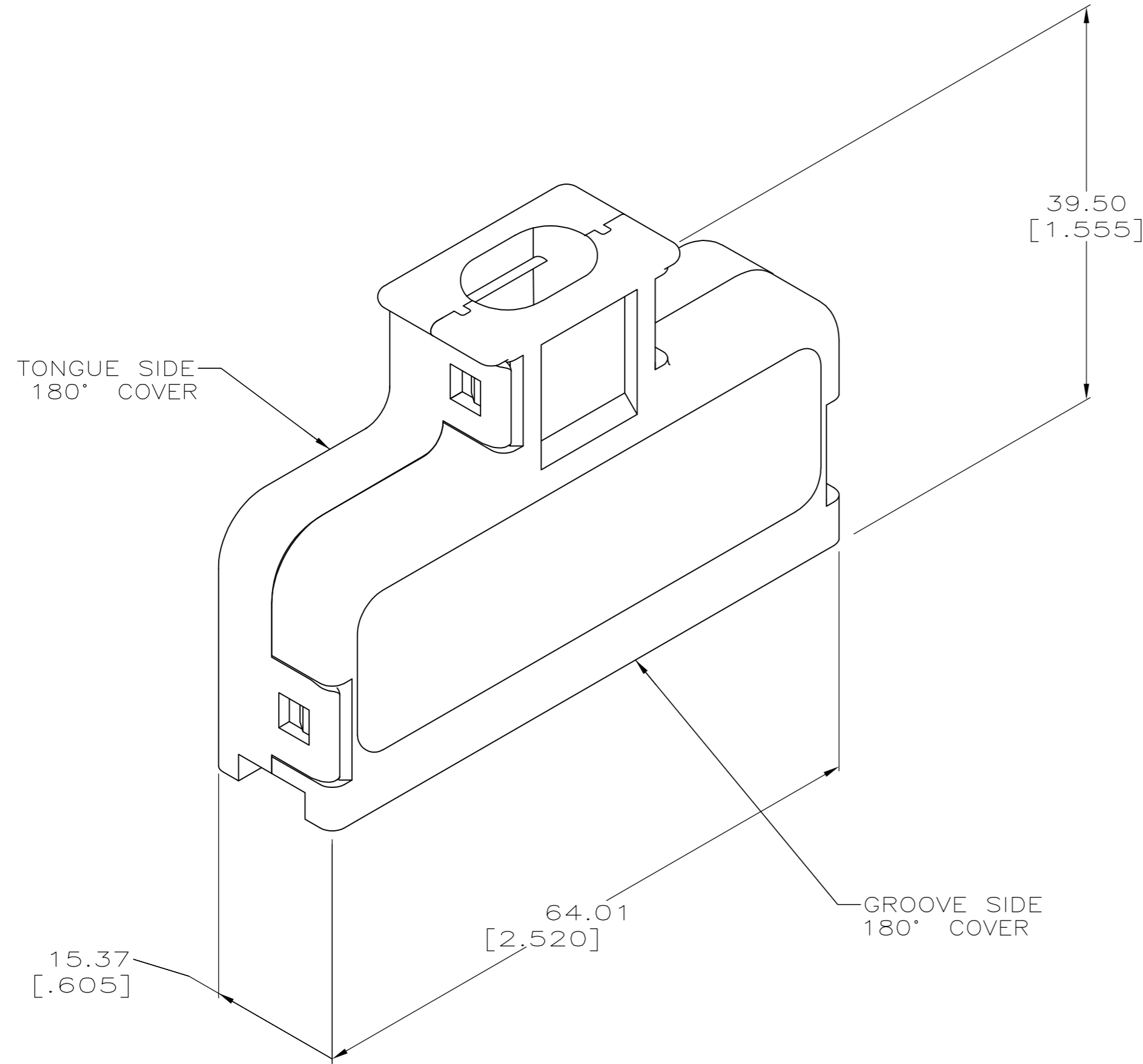


THIS DRAWING IS UNPUBLISHED. RELEASED FOR PUBLICATION
 © COPYRIGHT - By - ALL RIGHTS RESERVED.

LOC	DIST	REVISIONS					
AA	20	P	LTR	DESCRIPTION	DATE	DWN	APVD
		U2		REVISED PER ECO-12-019458	09APR13	BM	PR



- 1. MATERIAL: POLYPHENYLENE OXIDE MOLDING COMPOUND. SEE TABLE FOR COLOR.
- 2. ALL DIMENSIONS SHOWN ARE MAXIMUM UNLESS OTHERWISE SPECIFIED.
- 3. 100 KITS BULK PACKAGED.

SUPERSEDED BY 4-552008-1

12.19-13.97 [.480-.550]	ALMOND	4-552007-2	4-552006-2	4-552008-2
12.19-13.97 [.480-.550]	BLACK	4-552007-1	4-552006-1	4-552008-1
8.38-9.65 [.330-.380]	BLACK	3-552007-1	3-552006-1	3-552008-1
9.65-10.92 [.380-.430]	BLACK	2-552007-1	2-552006-1	2-552008-1
10.92-12.45 [.430-.490]	GRAY	552007-4	552006-4	552008-4
10.92-12.45 [.430-.490]	BLACK	552007-1	552006-1	552008-1
CABLE RANGE DIAMETER	COLOR	GROOVE SIDE PART NO.	TONGUE SIDE PART NO.	KIT PART NO.

THIS DRAWING IS A CONTROLLED DOCUMENT.		DWN D. STRAUSSER 16APR97	TE TE Connectivity																			
DIMENSIONS: mm [INCHES]		CHK M. HUGHES 21APR97																				
TOLERANCES UNLESS OTHERWISE SPECIFIED:		APVD M. HUGHES 21APR97	NAME COVER KIT, 180 DEGREE, 50 POSITION, CHAMP																			
<table border="0"> <tr><td>0 PLC</td><td>±</td><td>-</td></tr> <tr><td>1 PLC</td><td>±</td><td>-</td></tr> <tr><td>2 PLC</td><td>±</td><td>-</td></tr> <tr><td>3 PLC</td><td>±</td><td>-</td></tr> <tr><td>4 PLC</td><td>±</td><td>-</td></tr> <tr><td>ANGLES</td><td>±</td><td>-</td></tr> </table>		0 PLC	±	-	1 PLC	±	-	2 PLC	±	-	3 PLC	±	-	4 PLC	±	-	ANGLES	±	-	PRODUCT SPEC -	SIZE A2	
0 PLC	±	-																				
1 PLC	±	-																				
2 PLC	±	-																				
3 PLC	±	-																				
4 PLC	±	-																				
ANGLES	±	-																				
MATERIAL △		FINISH -	APPLICATION SPEC -	CAGE CODE 00779																		
		WEIGHT -	DRAWING NO. C=552008	RESTRICTED TO -																		
CUSTOMER DRAWING			SCALE 2:1	SHEET 1 of 1																		
			REV U2																			

- 552008