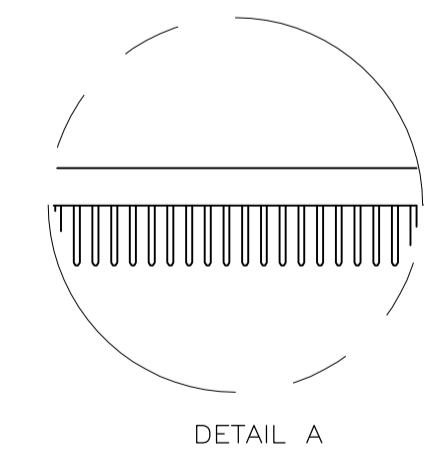


- ① HOUSING: HIGH TEMPERATURE THERMOPLASTIC. COLOR - NATURAL
- ② CONTACT: PHOSPHOR BRONZE.
- ③ METAL HOLD DOWN: BRASS
- ④ CONTACT FINISH: .001269[.000050] MIN NICKEL ALL OVER. GOLD FLASH OVER NICKEL IN CONTACT AREA. .002537[.000100] MIN MATTE TIN OVER NICKEL ON SOLDER TAILS.
- ⑤ CONTACT FINISH: .001269[.000050] MIN NICKEL ALL OVER. .000375[.000015] GOLD OVER NICKEL IN CONTACT AREA. .002537[.000100] MIN MATTE TIN OVER NICKEL ON SOLDER TAILS.
- ⑥ CONTACT FINISH: .001269[.000050] MIN NICKEL ALL OVER. .000757[.000030] GOLD OVER NICKEL IN CONTACT AREA. .002537[.000100] MIN MATTE TIN OVER NICKEL ON SOLDER TAILS.
- ⑦ DISTANCE FROM CONTACT POINT TO BOTTOM OF CARD SLOT.
- ⑧ METAL HOLD DOWN FINISH: .001269[.000050] MIN NICKEL ALL OVER, .003809[.000150] MIN MATTE TIN ALL OVER.
- ⑨ AMP PART NUMBER, DATE CODE AND CSA LOGO MARKED IN APPROXIMATE LOCATION SHOWN.
- ⑩ CORED OR SOLID SIDE WALLS ARE AT DISCRETION OF AMP INCORPORATED.
- ⑪ HOUSING: HIGH TEMPERATURE THERMOPLASTIC COLOR- GREEN, PANTONE COLORS 355C OR 365C
- ⑫ HOUSING: HIGH TEMPERATURE THERMOPLASTIC COLOR: BLACK
- ⑬ OBSOLETE PARTS: OBSOLETE CIS STREAMLINING PER D.RENAUD/D.SINISI

SEE SHEET 2 FOR HOLE PATTERN



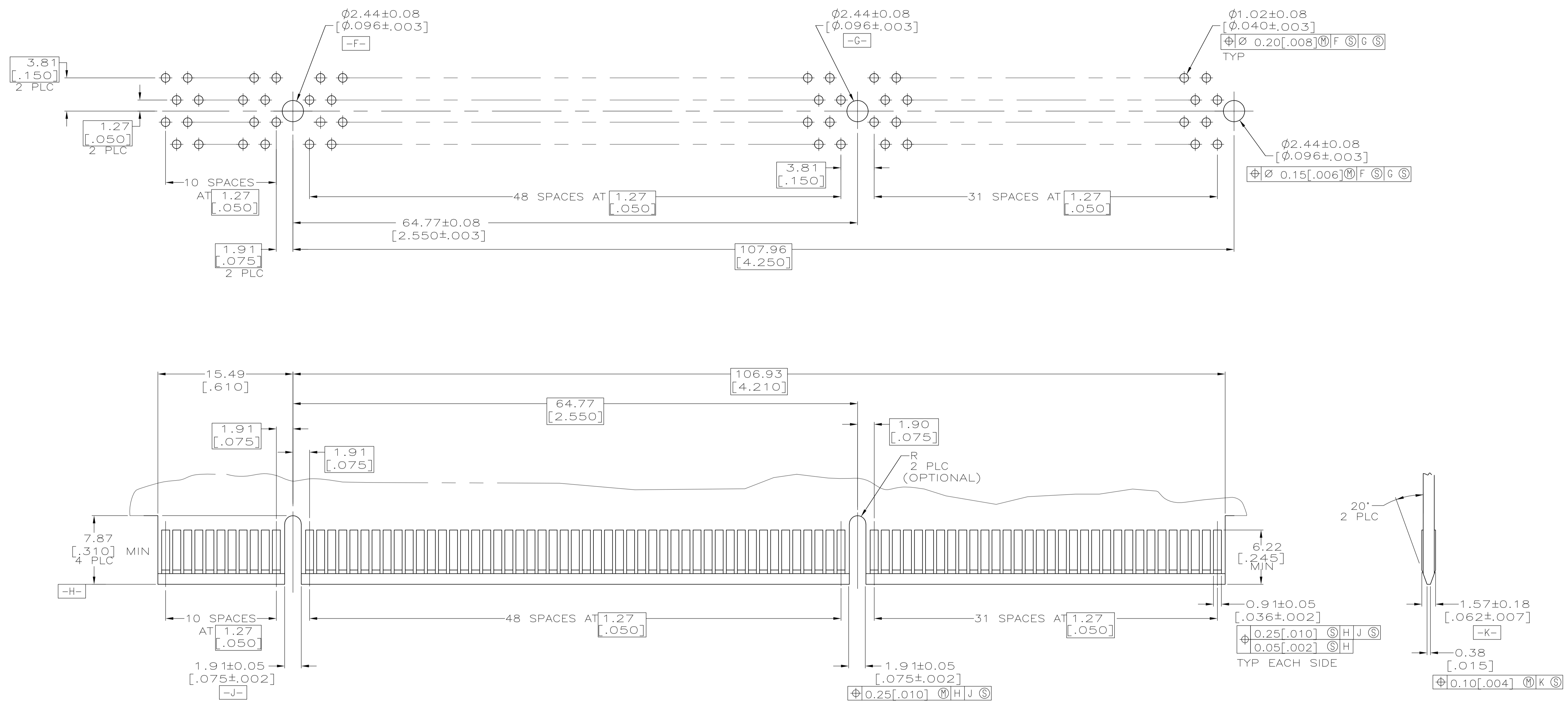
⑬ OBSOLETE	⑫ 2.54 [.100]	⑪ 2-5145168-9
	⑩ 3.18 [.125]	⑨ 2-5145168-8
	⑧ 3.56 [.140]	⑦ 1-5145168-2
	⑦ 3.18 [.125]	⑥ 5145168-8
	⑥ 2.54 [.100]	⑤ 5145168-4
	⑤ 2.54 [.100]	④ 5145168-2
	④ 2.54 [.100]	③ 5145168-1
HSG MATL	W	FINISH
		PART NUMBER

THIS DRAWING IS A CONTROLLED DOCUMENT.

DIMENSIONS: mm	TOLERANCES UNLESS OTHERWISE SPECIFIED:	0 PLC ± -	1 PLC ± -	2 PLC ± 0.25 [.01]	3 PLC ± 0.127 [.005]	4 PLC ± ± Z	ANGLES ± ± Z
MATERIAL	FINISH	WEIGHT	SIZE	SCALE	CAGE CODE	DRAWING NO	RESTRICTED TO
1 2 3 4 5 6 7 8	9 10 11 12		A1	4:1	00779	5145168	REV B2

AL FRANTUM 22 JAN 05
AL FRANTUM 22 JAN 05
S FLICKINGER 25 JULY 2006
NAME: CONNECTOR ASSEMBLY, 92 DUAL POSITION, 1.27 (.050) SERIES
APPLICATION SPEC: 108-14034
APPLICATION SPEC: 114-26012
CUSTOMER DRAWING

STE TE Connectivity



THIS DRAWING IS A CONTROLLED DOCUMENT.		DN AL FRANTUM 22 JAN 05	TE Connectivity
DIMENSIONS: mm		CHK AL FRANTUM 22 JAN 05	
TOLERANCES UNLESS OTHERWISE SPECIFIED:		APVD S FLICKINGER 26JULY2006	NAME
0 PLC \pm -		PRODUCT SPEC	CONNECTOR ASSEMBLY, 92 DUAL POSITION, 1.27 (.050) SERIES
1 PLC \pm -		APPLICATION SPEC	108-14034
2 PLC ± 0.25 [.01]		SIZE	A1
3 PLC ± 0.127 [.005]		WEIGHT	000779 C 5145168
4 PLC \pm -		CUSTOMER DRAWING	SCALE 4:1 SHEET 2 OF 2 REV B1
ANGLES \pm -			
MATERIAL SEE SHEET 1			
FINISH SEE SHEET 1			