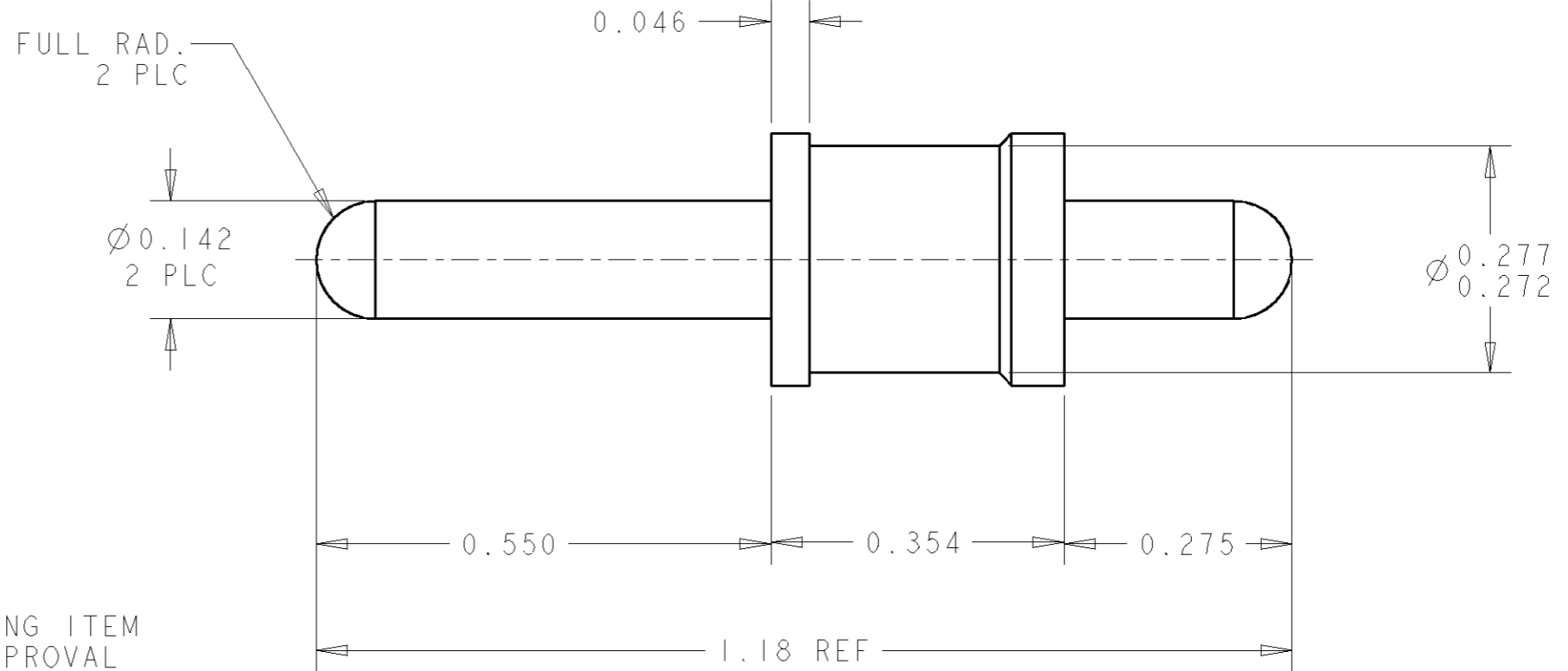
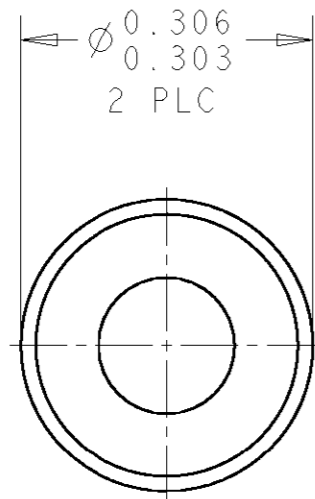


THIS DRAWING IS UNPUBLISHED. RELEASED FOR PUBLICATION 20
 © COPYRIGHT 20 BY TYCO ELECTRONICS CORPORATION. ALL RIGHTS RESERVED.

LOC	DIST	REVISIONS			
P	LTR	DESCRIPTION	DATE	DWN	APVD
GP	00	A	RELEASED	07SEP2006	RG DO



1. PART NUMBER AND/OR DESIGN CHANGES AFFECTING ITEM INTERCHANGEABILITY REQUIRES PRIOR TYCO APPROVAL AND AUTHORIZATION BY REVISION TO THIS DRAWING.

2 MATERIAL: BRASS ALLOY

3 FINISH:
 SILVER PLATE .000200 MIN THK. OVER NICKEL
 .000040 MIN. THK.

4. ITEMS PROVIDED TO THIS SPECIFICATION TO BE PERMANENTLY IDENTIFIED ON THE CONTAINER PER THE FOLLOWING IDENTIFIER:

AS SHOWN	1766262-1
DESCRIPTION	PART NUMBER

TYCO PART NUMBER: XXXXXXXX-X
 DATE CODE (e.g. 0216): YEAR 1 WEEK 1
 XXXX

<small>THIS DRAWING IS A CONTROLLED DOCUMENT FOR TYCO ELECTRONICS CORPORATION IT IS SUBJECT TO CHANGE AND THE CONTROLLING ENGINEERING ORGANIZATION SHOULD BE CONTACTED FOR THE LATEST REVISION.</small>		DWN 07SEP2006 R.GRZYBOWSKI CHR 07SEP2006 D.ORRIS APVD 07SEP2006 S.FLICKINGER		tyco Electronics Tyco Electronics Harrisburg, PA 17105-3608	
DIMENSIONS: INCHES 		TOLERANCES UNLESS OTHERWISE SPECIFIED: 0 PLC ±- 1 PLC ±- 2 PLC ±.01 3 PLC ±.005 4 PLC ±- ANGLES ±3		NAME CONTACT, PIN, SIZE #8 PCB TAIL, .43 FRONT EXT. .27 REAR EXT., DRAWERS	
MATERIAL 		FINISH 		PRODUCT SPEC - APPLICATION SPEC - WEIGHT - SIZE A3 CAGE CODE 00779 C=1766262 DRAWING NO 1766262 RESTRICTED TO -	
ELCON DRAWER				CUSTOMER DRAWING SCALE 5:1 SHEET 1 OF 1 REV A	