

# Skywire™ LTE LE910

## Embedded Cellular Modem

### Datasheet

NimbeLink Corp

Updated: May 2016



© NimbeLink Corp. 2016. All rights reserved.

NimbeLink Corp. provides this documentation in support of its products for the internal use of its current and prospective customers. The publication of this document does not create any other right or license in any party to use any content contained in or referred to in this document and any modification or redistribution of this document is not permitted.

While efforts are made to ensure accuracy, typographical and other errors may exist in this document. NimbeLink reserves the right to modify or discontinue its products and to modify this and any other product documentation at any time.

All NimbeLink products are sold subject to its published Terms and Conditions, subject to any separate terms agreed with its customers. No warranty of any type is extended by publication of this documentation, including, but not limited to, implied warranties of merchantability, fitness for a particular purpose and non-infringement.

XBee is a registered trademark of Digi International, Inc

NimbeLink is a registered trademark, and Skywire is a trademark, of NimbeLink Corp. All trademarks, service marks and similar designations referenced in this document are the property of their respective owners.

# Table of Contents

- 1. INTRODUCTION**
  - 1.1 ORDERABLE PART NUMBERS
  - 1.2 ADDITIONAL RESOURCES
  - 1.3 PRODUCT OVERVIEW
  - 1.4 BLOCK DIAGRAM
- 2. TECHNICAL SPECIFICATIONS**
  - 2.1 ELECTRICAL SPECIFICATIONS
  - 2.2 MECHANICAL SPECIFICATIONS
  - 2.3 TEMPERATURE SPECIFICATIONS
- 3. IMPORTANT DESIGN CONSIDERATIONS**
  - 3.1 ON\_OFF SIGNAL
  - 3.2 POWER SUPPLY REQUIREMENTS
  - 3.3 SERIAL COMMUNICATIONS
  - 3.4 NETWORK CONNECTION STATUS LED
- 4. MOUNTING GUIDELINES**
  - 4.1 BOARD TO BOARD CONNECTORS APPROACH
  - 4.2 SOLDER TO BOARD CONNECTION APPROACH
- 5. ANTENNA CONSIDERATIONS**
  - 5.1 PRIMARY ANTENNA REQUIREMENTS
  - 5.2 DIVERSITY ANTENNA REQUIREMENTS
  - 5.3 GPS/GLONASS ANTENNA REQUIREMENTS
  - 5.4 RECOMMENDED ANTENNAS
- 6. CERTIFICATIONS**
  - 6.1 CARRIER SPECIFIC
  - 6.2 GEOGRAPHY SPECIFIC
- 7. FEDERAL REGULATORY LICENSING**
  - 7.1 ECCN NUMBER
  - 7.2 HTS CODES
- 8. END PRODUCT LABELING REQUIREMENTS**

# 1. Introduction

## 1.1 Orderable Part Numbers

Orderable Device	Firmware Revision	Operating Temperature	Bands	Fallback?	Network Type
NL-SW-LTE-TSVG	17.01.571	-40 to +85°C	B4, B13	No	Verizon
NL-SIM-COM		-35°C to +85°C			Verizon
NL-SIM-IND		-40°C to +105°C			Verizon
NL-SW-LTE-TEU				B1, B5, B8	
G	17.00.523	-40 to +85°C	B3, B7, B20		Europe
NL-SW-LTE-TNA			B2, B5, B4,	B2, B5	AT&T/T-mobil
G	17.00.503	-40 to +85°C	B17		e

## 1.2 Additional Resources

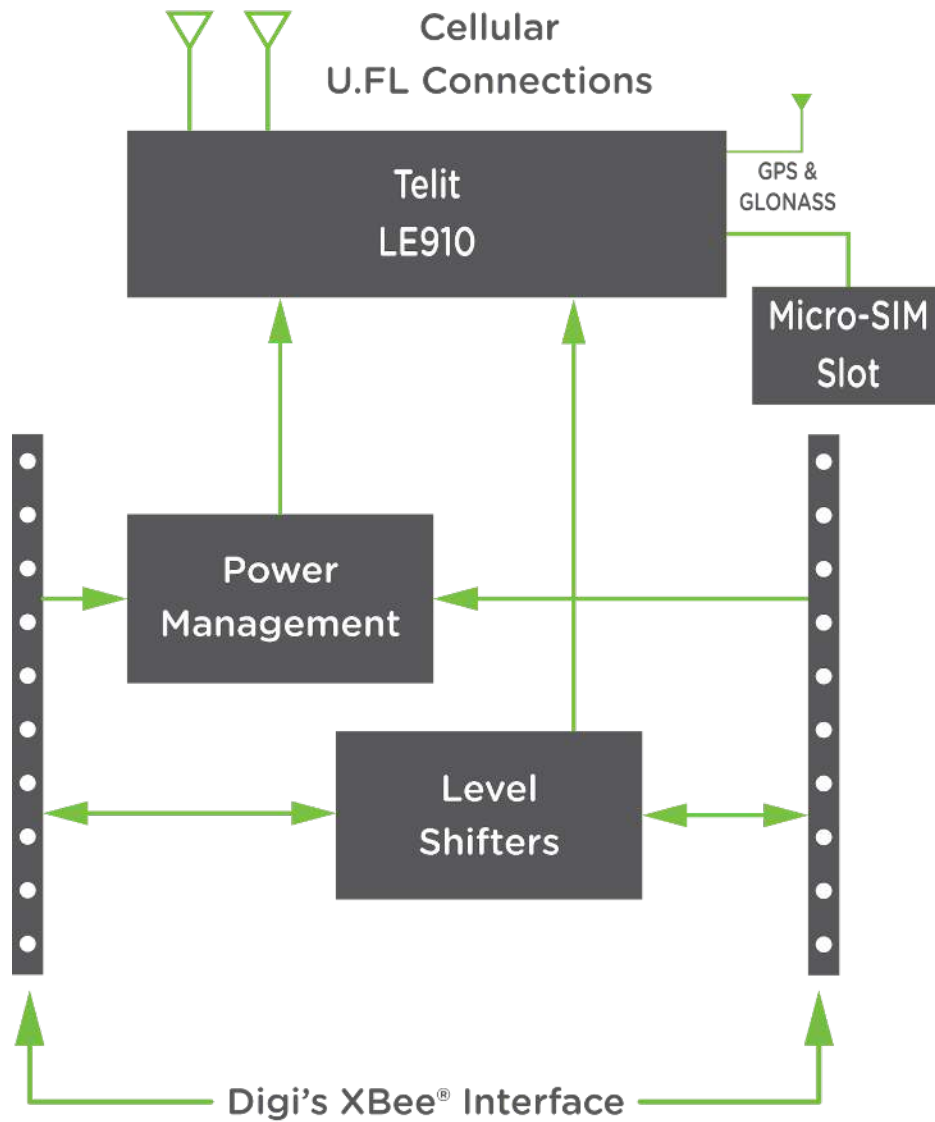
The following documents or documentation resources are referenced within this document.

- Telit's LE910 Hardware User Guide

## 1.3 Product Overview

Add robust cellular connectivity to your M2M devices with scalable radio technology with Skywire line of modems including LE910 based LTE solutions. Extensive experience in designing and building embedded product solutions makes the NimbeLink Skywire™ embedded cellular modem the smallest on the market. It complies with the popular XBEE® interface standard and supports multiple LTE bands and fallback capability minimizing costs of hardware and network access. The module is designed for volume production and is intended for OEMs to embed into end equipment designs.

## 1.4 Block Diagram



## 2. Technical Specifications

### 2.1 Electrical Specifications

#### 2.1.1 Absolute Maximum Ratings

Parameter	Signal	Maximum Rating
Main Power Supply	VCC	4.3V
I/O Voltage Reference	VREF	5.5V

#### 2.1.2 Recommended Ratings & Module Pin out

##### 2.1.2.1 Connectors J1 and J2

Pin	Name	Direction	Description	Min	Typical	Max	If not used
1	VCC	Input	Main Power supply	3.5V	3.9V	4.3V	Must be implemented
2	DOUT	Output	UART data out, I/O level tied to VREF	VOL: GND to 0.55V		VOH: VREF x 0.67 to VREF	Must be implemented if USB not used, No connection
3	DIN	Input	UART data in, I/O level tied to VREF	VIL: GND to 0.15V		VIH: VREF-0.4 V to VREF	Must be implemented if USB not used, No connection
4	GND	Input	Ground Pin		0		Must be implemented
5	RESET_nIN	Input	Controls HW_SHUTDOWN input on TelitLE910, tie low for 200mS and released to activate. Internally pulled up to VCC. Drive with open collector output. Assert only in an emergency as the module will not gracefully exit the cellular network when asserted.		VREF		No connection
6	VUSB	Input	Supply for USB interface	4.4V	5V	5V	No connection
7	USB_D+	I/O	USB differential Data + signal				No connection
8	USB_D-	I/O	USB differential Data - signal				No connection
9	DTR	Input	Modem Data Terminal Ready input	VIL: GND to 0.15V		VIH: VREF-0.4 V to VREF	Tie to GND
10	GND	Input	Ground Pin		0		Must be implemented
11	GND	Input	Ground Pin		0		Must be implemented
12	CTS	Output	Modem Clear to Send hardware flow control output	VOL: GND to 0.55V		VOH: VREF x 0.67 to VREF	No connection

13	ON/nSLEEP	Output	Signal drives the onboard LED indicating network status. OFF = Device OFF, Permanently ON = Searching for Network & Not Registered, Slow Blink = Registered with full service, Permanently on = call is active. See TelitLE910 manual for additional information.	0		1.8V	No connection
14	VREF	Input	Voltage reference for offboard I/O signals. This signal drives the input voltage side of an onboard buffer which converts all external I/O voltage from VREF range to 1.8V range to drive the onboard TelitLE910 modem module.	1.65V	1.8V or 3.3V	5.5V	Must be implemented
15	GND	Input	Ground Pin		0		Must be implemented
16	RTS	Input	Modem Request to Send hardware flow control input	VIL: GND to 0.15V		VIH: VREF-0.4 V to VREF	Tie to GND
17	DIO3	I/O	Programmable GPIO_03 on TelitLE910 module	0		1.8V	No connection
18	DIO2	I/O	Programmable GPIO_02 on TelitLE910 module	0		1.8V	No connection
19	ADC1	Input	ADC_IN1 input on TelitLE910module (8bit resolution, <6.6mV)	0		1.7V	No connection
20	ON_OFF	Input	Modem On/Off signal. Assert low for at least 1 second and then release to activate start sequence. Drive with open collector output. Internally pulled up to internal I/O rail with pull up. Do not use any external pull ups. <b>Note:</b> If you want modem to turn on automatically when power is applied, permanently tie this signal to GND.	0		1.8V	Must be implemented.

### 2.1.2.2 Connectors J3, X1, X2, X3

Connector Designator	Description	Connector Location
J3	Micro SIM Connector	Bottom Side of Module
X1	Primary Antenna Connection	Topside of Module
X2	Diversity Antenna Connection	Topside of Module
X3	GPS/GNSS Satellite Receiver	Bottom Side of Module

## 2.2 Mechanical Specifications

### 2.2.1 Mechanical Characteristics

Parameter	Typical	Unit
Dimensions (excluding pin height, for solder to board applications)	29.0 x 33.60 x 6.63	mm
Dimensions (including pin height, for board to board connector applications)	29.0 x 33.60 x 10.73	mm
Weight	x	Grams
Connector Insertion/Removal	hundreds	Cycles

### 2.2.2 Mating Connectors

Connector Designator	Manufacture	Populated on Module	Recommended Mate	Mate Manufacture
J1, J2	3M	951110-2530-AR-PR	950510-6102-AR	3M
			Acceptable alternate: NPPN101BFCN-RC	Sullins Connector Solutions
J3	Molex	786463001	Micro SIM Card	Micro SIM Card
X1, X2, X3	Hirose	U.FL-R-SMT(10)	CAB.011	Taoglas

## 2.3 Temperature Specifications

Parameter	Min	Typical	Max	Unit
Operating Temperature	-40	25	+85	°C
Storage Temperature	-40	25	+85	°C

## 3. Important Design Considerations

### 3.1 ON\_OFF Signal

To conserve power, the TelitLE910 does not automatically start up when power is applied. The baseboard design must supply a means to assert the ON\_OFF signal for the specified time (at least 5 seconds) and then released to start-up the module. After asserting the ON\_OFF signal, software must wait for 15 seconds before attempting to communicate with the LE910. To make module automatically start when power is applied, tie ON/OFF signal to GND permanently. See Telit Hardware User Guide for additional details regarding the ON\_OFF signal.

### 3.2 Power Supply Requirements

The module will regularly consume high amounts of current on the Main Power Supply (VCC), up to 1.5A during active transmits and receives. The baseboard power supply should be designed to support peak currents up to 2 Amps. A 100uF capacitor should be placed near the VCC pin on the module to ensure ample energy is available, with a low inductance path to the VCC pin. For example power supply designs, there are multiple references available. See the NimbeLink Skywire™ Development Kit schematic for a switching regulator example, or reference the Telit Hardware User Guide which has an example of both Linear and Switching regulator designs.

### 3.3 Serial Communications

The LE910 can communicate over UART and/or USB. Design should implement one or both serial interfaces to be able to send commands to the modem.

### 3.4 Network Connection Status LED

The ON/nSLEEP signal on pin 13 drives the on-board LED indicating network status. By default, the 4G LTE CAT3 module has this setting disabled. Use the following commands to enable and save this feature.

First, configure the GPIO for alternate function:

```
AT#GPIO = 1,0,2
```

The modem should respond with:

```
OK
```

Next, set the desired LED behavior with this command:

```
AT#SLED=2,10,10
```

The modem should respond with:



**OK**

Finally, commit the changes to non-volatile memory so the setting will persist across power down/power up:

**AT#SLEDSAV**

The modem should respond with:

**OK**

LED Status	Network Status Indication
Permanently OFF	Device OFF or setting disabled (see above)
Permanently ON	Searching for Network & Not Registered
Slow Blinking	Registered with full service
Permanently ON	Call is active (Module has been registered)

## 4. Mounting Guidelines

The Skywire™ embedded cellular modem supports multiple connection methods, the two primary methods are board to board connectors and soldering directly to the baseboard.

### 4.1 Board to Board connectors approach

The XBEE® form factor calls for two, 10 pin, 2mm pitch female receptacles.

There are many connector manufactures that can be used; below is one readily available product:

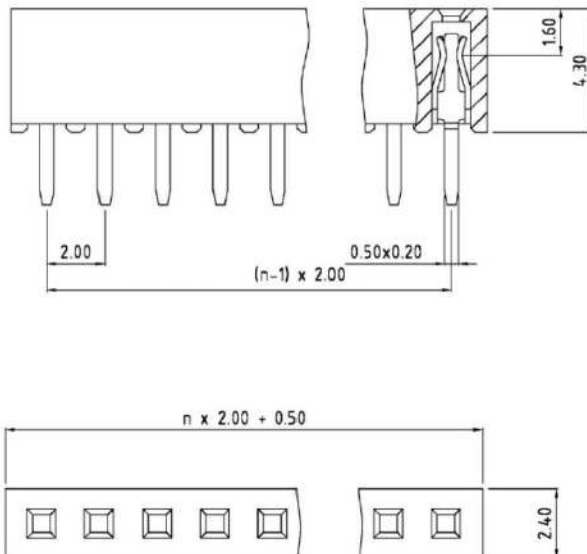
Manufacture: 3M

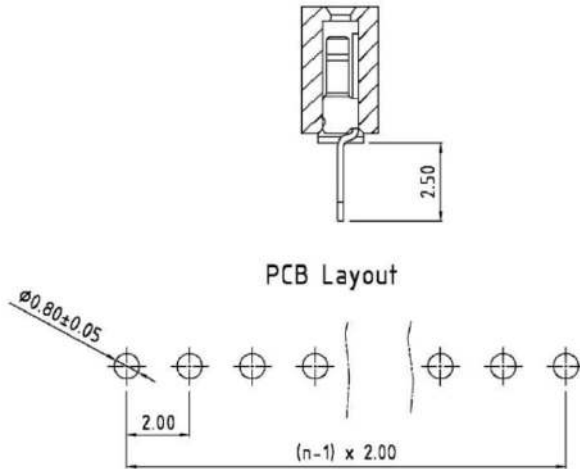
Alternate: Sullins Connector Solutions

Part Number: 950510-6102-AR

Alternate P/N: NPPN101BFCN-RC

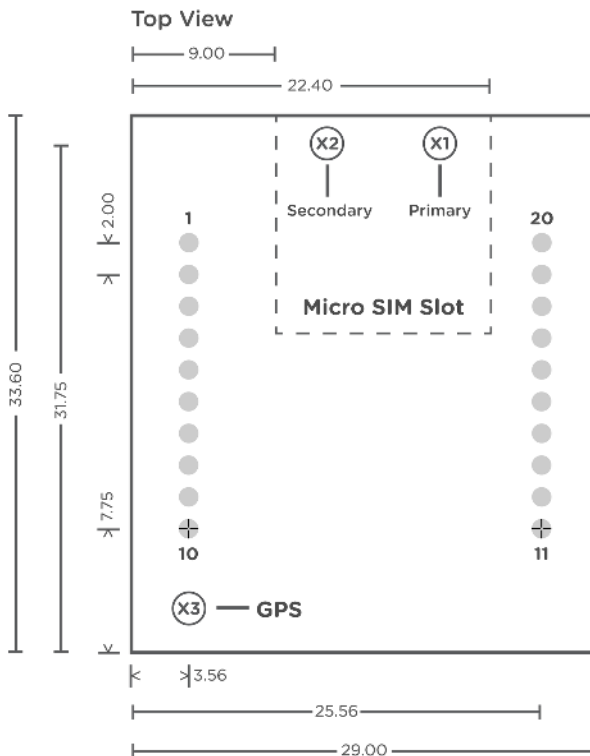
Typical part drawing and footprint information:





## 4.2 Solder to Board connection approach

The module can be soldered directly to a PCB. The PCB should be designed with two rows of ten, 0.8mm plated thru holes spaced 2mm apart. The two rows should be 22mm apart. See drawing for recommended footprint. Measurements are in millimeters. U.FL locations are marked with circles, X1 and X2 on top side of board, J3 is Micro SIM card slot on bottom side of board.



# 5. Antenna Considerations

## 5.1 Primary Antenna Requirements

These tables are copied from Telit LE910 Hardware User Guide. Designers should review latest LE910 Hardware User Guide to ensure the information is up to date.

<b>ANTENNA REQUIREMENTS for LE910-SVG</b>	
<b>Frequency range</b>	Depending by frequency band(s) provided by the network operator, the customer shall use the most suitable antenna for that/those band(s)
<b>Bandwidth (LTE)</b>	LTE Band IV(1700) : 445 MHz LTE Band XIII(700) : 41 MHz
<b>Impedance</b>	50 ohm
<b>Input power</b>	> 24dBm Average power
<b>VSWR absolute max</b>	≤ 10:1 (limit to avoid permanent damage)
<b>VSWR recommended</b>	≤ 2:1 (limit to fulfil all regulatory requirements)

<b>ANTENNA REQUIREMENTS for LE910-NVG</b>	
<b>Frequency range</b>	Depending by frequency band(s) provided by the network operator, the customer shall use the most suitable antenna for that/those band(s)
<b>Bandwidth (WCDMA)</b>	WCDMA band II(1900) : 140 MHz WCDMA band V(850) : 70 MHz
<b>Bandwidth (LTE)</b>	LTE Band IV(1700) : 445 MHz LTE Band XIII(700) : 41 MHz
<b>Impedance</b>	50 ohm
<b>Input power</b>	> 24dBm Average power in WCDMA & LTE
<b>VSWR absolute max</b>	≤ 10:1 (limit to avoid permanent damage)
<b>VSWR recommended</b>	≤ 2:1 (limit to fulfil all regulatory requirements)

<b>ANTENNA REQUIREMENTS for LE910-EUG</b>	
<b>Frequency range</b>	Depending by frequency band(s) provided by the network operator, the customer shall use the most suitable antenna for that/those band(s)
<b>Bandwidth (GSM/EDGE)</b>	GSM850 : 70 MHz GSM900 : 80 MHz GSM1800(DCS) : 170 MHz GSM1900(PCS) : 140 MHz
<b>Bandwidth (WCDMA)</b>	WCDMA band I(2100) : 250 MHz WCDMA band VIII(900) : 80 MHz
<b>Bandwidth (LTE)</b>	LTE band III(1800) : 170 MHz LTE Band VII(2600) : 190 MHz LTE Band XX(800) : 71 MHz
<b>Impedance</b>	50 ohm
<b>Input power</b>	> 33dBm(2 W) peak power in GSM > 24dBm Average power in WCDMA & LTE
<b>VSWR absolute max</b>	≤ 10:1 (limit to avoid permanent damage)
<b>VSWR recommended</b>	≤ 2:1 (limit to fulfil all regulatory requirements)

## 5.2 Diversity Antenna Requirements

These tables are copied from Telit LE910 Hardware User Guide. Designers should review latest LE910 Hardware User Guide to ensure the information is up to date.

<b>DIVERSITY ANTENNA REQUIREMENTS for LE910-SVG</b>	
<b>Frequency range</b>	Depending by frequency band(s) provided by the network operator, the customer shall use the most suitable antenna for that/those band(s)
<b>Bandwidth (LTE)</b>	LTE Band IV(1700) : 45 MHz LTE Band XIII(700) : 10 MHz
<b>Impedance</b>	50 ohm
<b>VSWR recommended</b>	≤ 2:1 (recommended for best sensitivity performance)

<b>DIVERSITY ANTENNA REQUIREMENTS for LE910-NVG</b>	
<b>Frequency range</b>	Depending by frequency band(s) provided by the network operator, the customer shall use the most suitable antenna for that/those band(s)
<b>Bandwidth (WCDMA)</b>	WCDMA band II(1900) : 140 MHz WCDMA band V(850) : 70 MHz
<b>Bandwidth (LTE)</b>	LTE Band IV(1700) : 445 MHz LTE Band XIII(700) : 41 MHz
<b>Impedance</b>	50 ohm
<b>VSWR recommended</b>	≤ 2:1 (limit to fulfil all regulatory requirements)

<b>DIVERSITY ANTENNA REQUIREMENTS for LE910-EUG</b>	
<b>Frequency range</b>	Depending by frequency band(s) provided by the network operator, the customer shall use the most suitable antenna for that/those band(s)
<b>Bandwidth (WCDMA)</b>	WCDMA band I(2100) : 250 MHz WCDMA band VIII(900) : 80 MHz
<b>Bandwidth (LTE)</b>	LTE band III(1800) : 170 MHz LTE Band VII(2600) : 190 MHz LTE Band XX(800) : 71 MHz
<b>Impedance</b>	50 ohm
<b>VSWR recommended</b>	≤ 2:1 (limit to fulfil all regulatory requirements)

## 5.3 GPS/GLONASS Antenna Requirements

These tables are copied from Telit LE910 Hardware User Guide. Designers should review latest LE910 Hardware User Guide to ensure the information is up to date.

It is recommended to use antennas as follow:

- An external passive antenna (GPS only)
- An external passive antenna, GNS pre-Filter

The external pre-Filter shall be required for GLONASS application.

The Glonass pre-Filter requirement shall fulfil the following requirements:

- Source and Load Impedance = 50Ohm
- Insertion Loss (1575.42 – 1576.42MHz) = 1.4dB (Max)
- Insertion Loss (1565.42 – 1585.42MHz) = 1.4dB (Max)
- Insertion Loss (1597.5515 – 1605.886MHZ) = 2.0dB (Max)

## 5.4 Recommended Antennas

Type	Manufacturer	Part Number
Primary & Diversity	Taoglas <sup>1</sup>	TG.30.8113
Primary & GPS	Taoglas <sup>1</sup>	MA.301.A.AB.001

**Note 1:** U.FL to SMA adapter required.

For applications not using the recommended antennas developers will need to ensure that the selected antenna(s) must meet the following gain requirements:

Frequency	Max Gain (dBi)
700 MHz Band	9.16 dBi
1700 MHz Band	5.00 dBi

For GPS/GNSS, circularly polarized antennas are desired over linear and patch topologies because they typically have 3dB improved sensitivity.

Connector X3 provides external LNA power from module. The voltage supplied is equal to VREF.

## 6. Certifications

### 6.1 Carrier Specific

NL-SW-LTE-TSVG          Verizon OD Certified

Non-Verizon products: Each carrier has different requirements for activating the LE910 modem on their networks. For GSM products, many accept the Telit PTCRB & GCF certification to allow device on the network, however, recent carrier preferences may require the end product to go through PTCRB & GCF certification in the final enclosure, antenna, and software configuration.

### 6.2 Geography Specific

Federal Communications Commission (FCC47) part 22, 24

Complies with FCC47 Part 15 Class B Radiated and Conducted Emissions

## 7. Federal Regulatory Licensing

### 7.1 Export Control Classification Number (ECCN)

ECCNs are five character alpha-numeric designations used on the Commerce Control List (CCL) to identify dual-use items for export control purposes. An ECCN categorizes items based on the nature of the product, i.e. type of commodity, software, or technology and its respective technical parameters.

All Skywire Modems: 5A992.a

### 7.2 Harmonized Tariff Schedule Code

HTS Code: 8517.62.0010

## 8. End Product Labeling Requirements

Device Uses Approved Radio: NL-SW-LTE-TSVG

Orderable Device	FCC ID	IC ID
NL-SW-LTE-TSVG	R17LE910SV	513A-LE910SV
NL-SW-LTE-TEUG		
NL-SW-LTE-TNAG	R17LE910NA	513A-LE910NA

This device complies with Part 15 of the FCC Rules. Operation is subject to the following two conditions: (1) This device may not cause harmful interferences, and (2) this device must accept any interference received, including interference that may cause undesired operation.