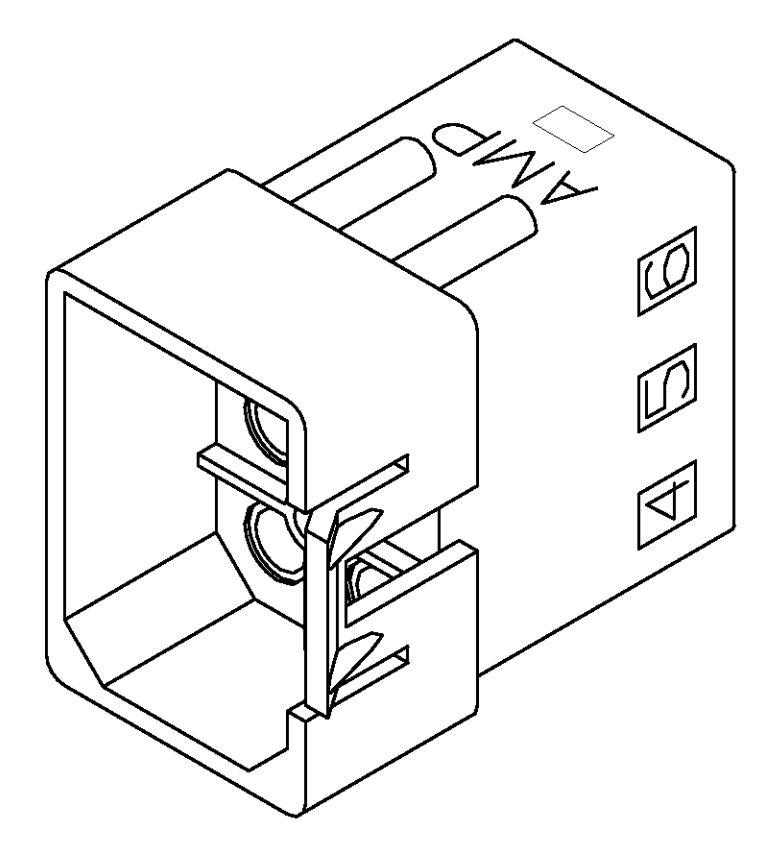
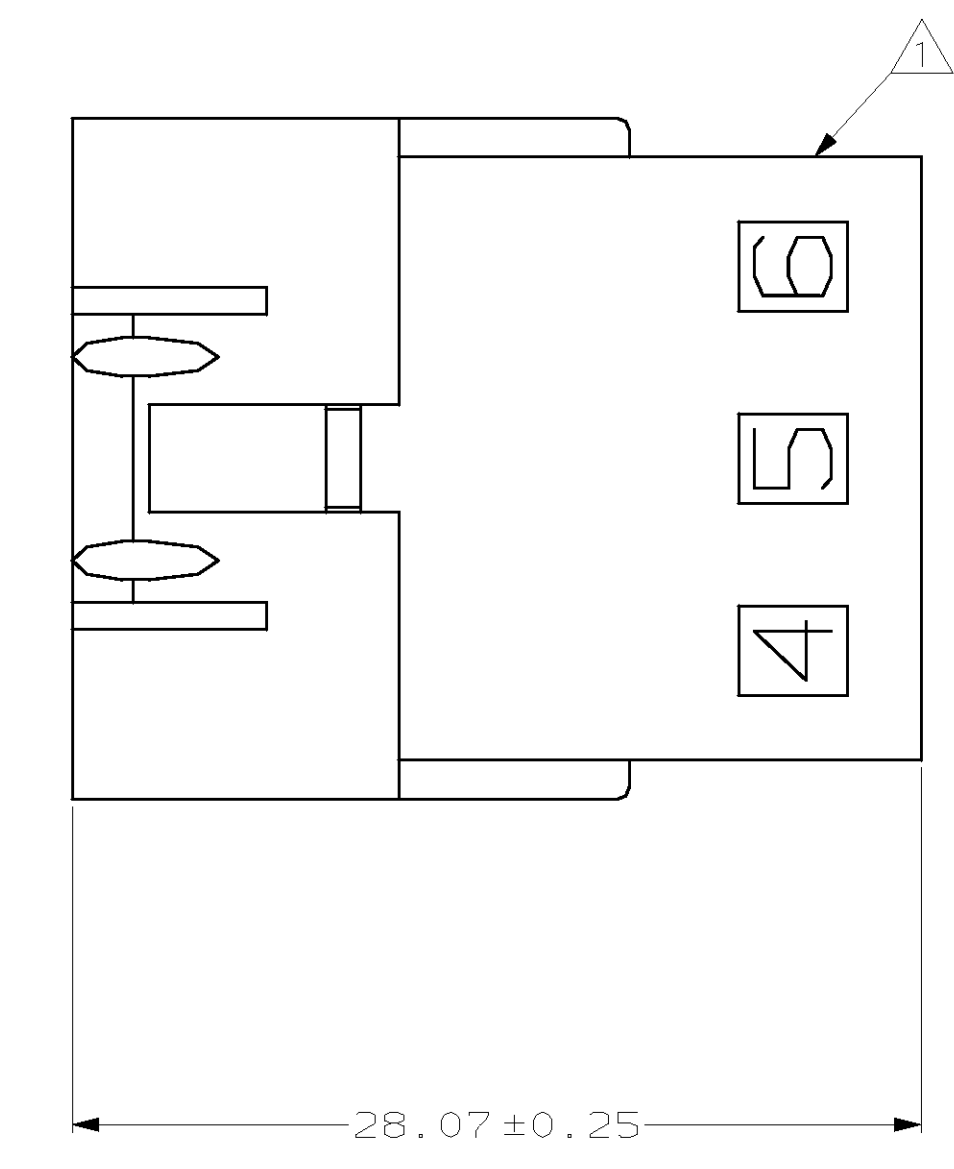
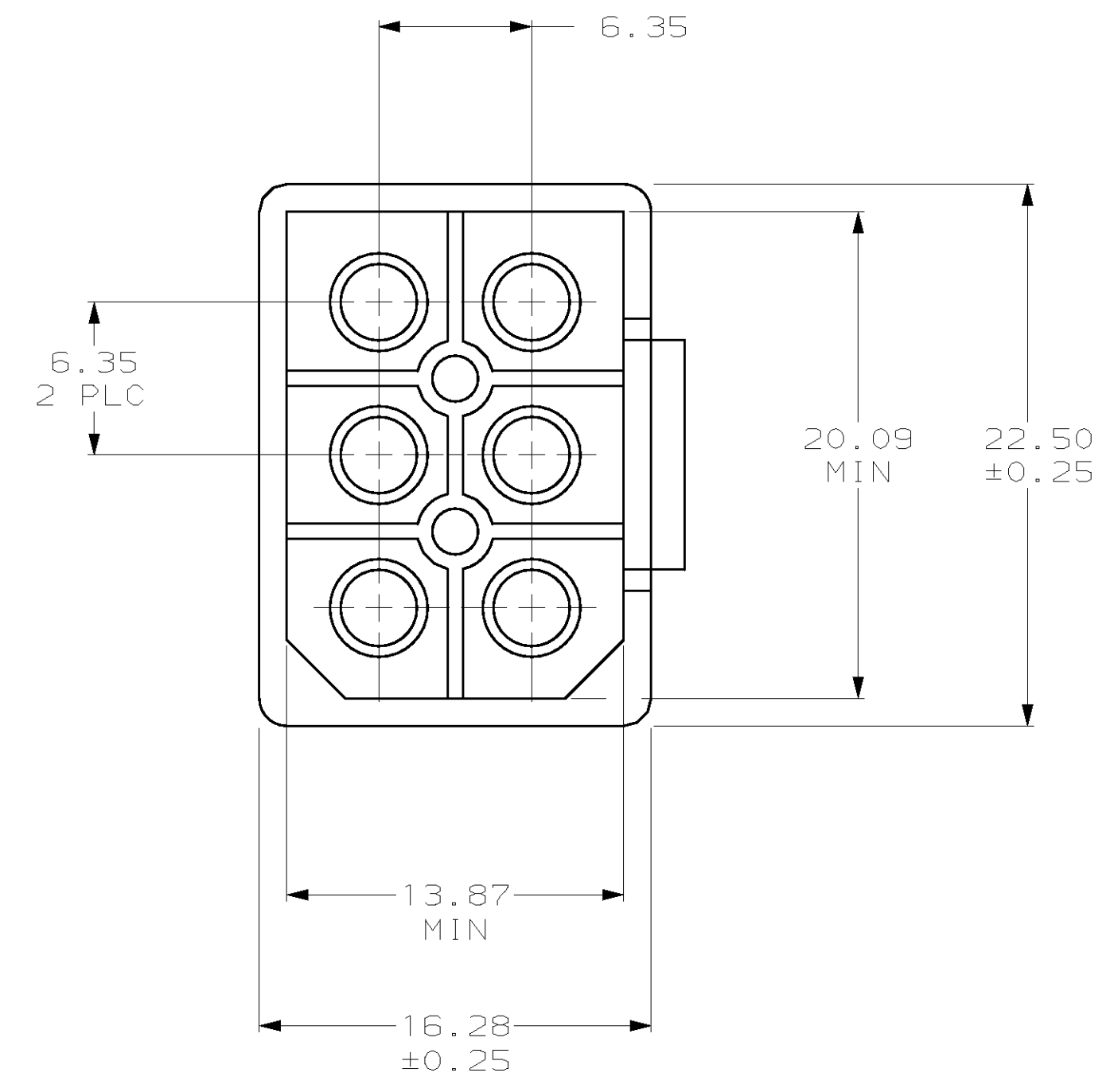
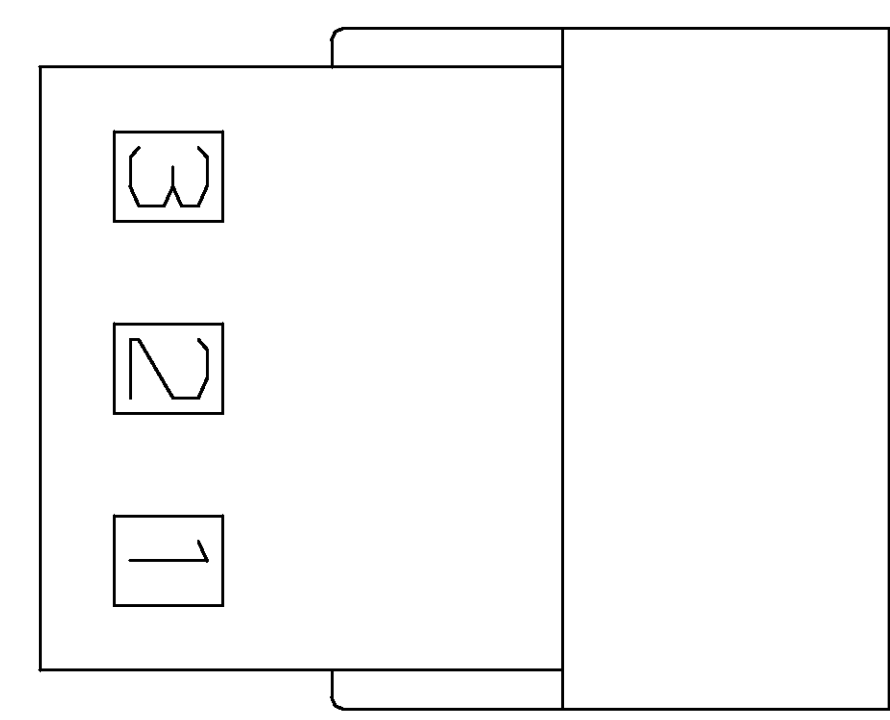


LOC	QTY	REV	DESCRIPTION	DATE	OWN	APVD
CM	53					
C			RELEASED PER PR EC 0L30-0270-97	12-12-97	KW	RS

⚠ AMP LOGO AND CAVITY NUMBER LOCATED THIS SURFACE.



3-DIMENSIONAL MODEL NTS

MM	IN
28.07	1.105
22.50	.886
20.09	.791
16.28	.641
13.87	.546
6.35	.250
0.25	.010
0.13	.005

CONVERSION TABLE

770361-1
PART NUMBER

METRIC

THIS DRAWING IS A CONTROLLED DOCUMENT.		OWN: K. WHITAKER 12-12-97	AMP Incorporated Harrisburg, PA 17105-3608
DIMENSIONS: mm		CHK: R. SWING 12-12-97	
TOLERANCES UNLESS OTHERWISE SPECIFIED:		APVD: K. COBLE 12-12-97	NAME: PLUG, PANEL MOUNT, 6 CIRCUIT, .250 PIN AND SOCKET
0 PLC ±- 1 PLC ±- 2 PLC ±0.13 3 PLC ±- 4 PLC ±- ANGLES ±-		PRODUCT SPEC: -	APPLICATION SPEC: -
MATERIAL: NYLON, UL 94V-2, NATURAL		FINISH: -	HEIGHT: -
CUSTOMER DRAWING		SCALE: 4:1	SHEET 1 OF 1 REV C