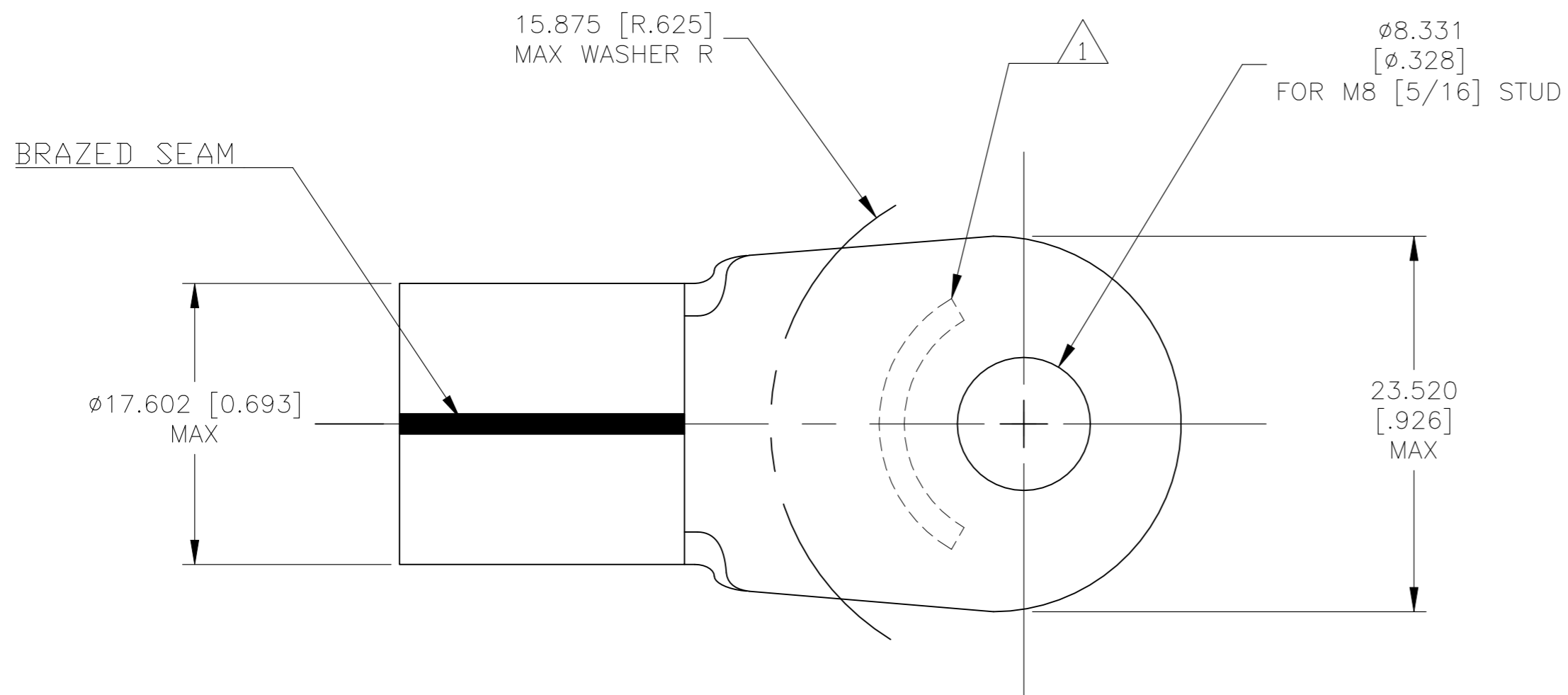
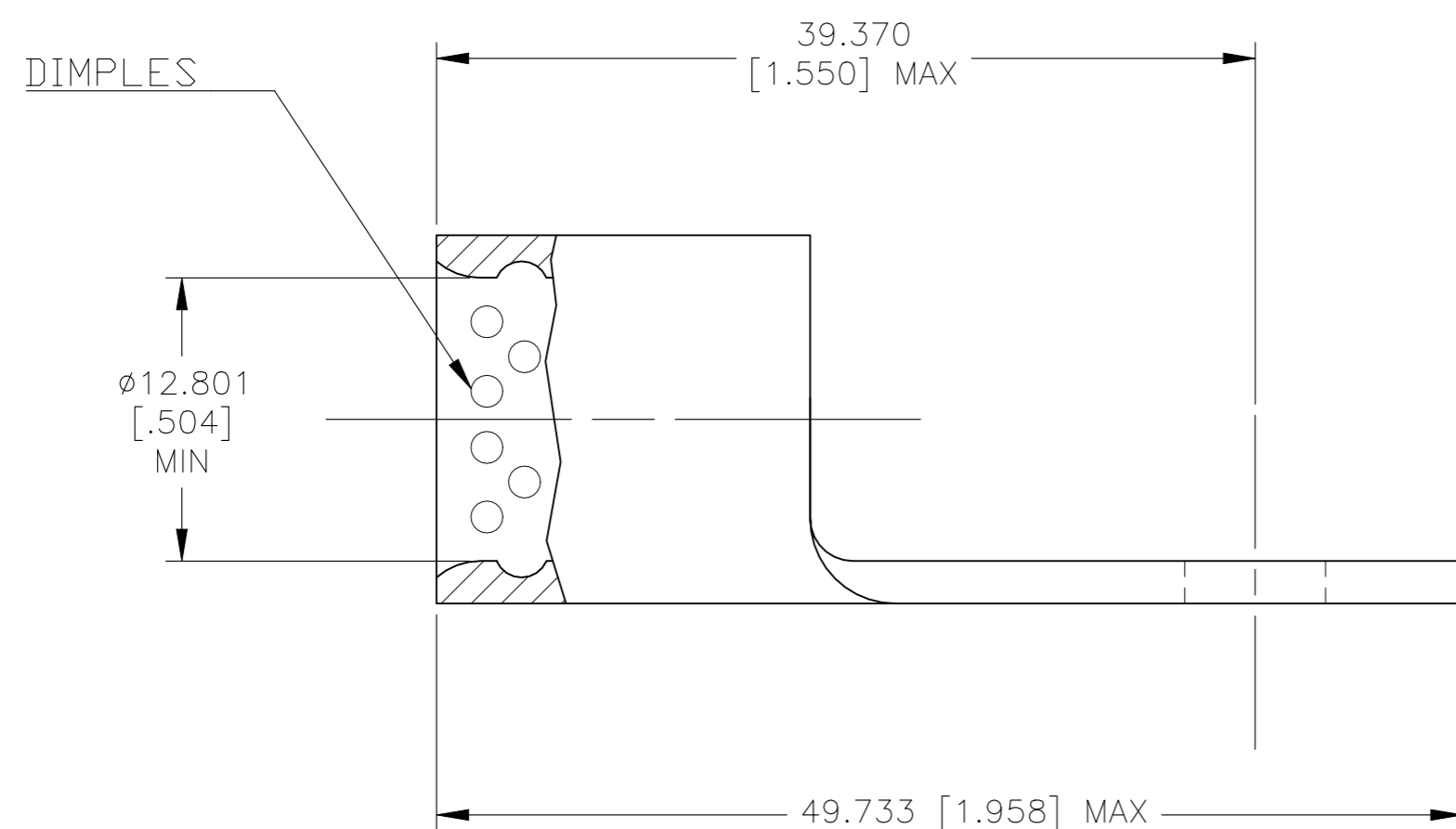


REVISIONS				
P	LTR	DESCRIPTION	DATE	APVD
	H1	REVISED PER ECN-22-150900	27APR2022	RK CSD



AMP WIRE RANGE	Listed FILE E13288
2/0 AWG SOLID OR STRANDED	2/0 AWG STRANDED
LR7189 Certified	
2/0 AWG SOLID OR STRANDED	

- 1 STAMP AMP 2/0W* APPROX AS SHOWN
- 2 COPPER PER ASTM B152, ANNEALED
- 3 TIN PLATE 0.00254 [.000100] MIN EXT THK PER ASTM B545
- 4 NICKEL PLATE 0.00762[.000300] MIN. EXT. THK. PER SAE AMS QQ-N-290
- 5 NOT UL, CSA OR MILITARY APPROVED. FOR STRANDED WIRE ONLY
- 6 PRODUCT SPECIFICATION UL 486A-B,
- 7 MATERIAL THICKNESS 2.032±0.076 [.080±.003]



5 4	343°C [649°F]	50	LOOSE PIECE	321870-1
6 3	170°C [338°F]	50	LOOSE PIECE	321870
	MAX RECOMENDED TEMPERATURE	QTY	PACKAGE TYPE	PART NO.

MAX RECOMMENDED OPERATING TEMPERATURE: SEE TABLE	THIS DRAWING IS A CONTROLLED DOCUMENT.		DWN DK SCHRUM 1/14/94	TE Connectivity
	DIMENSIONS: MM [INCHES]		CHK AJ KAUFMAN 1/19/94	
VOLTAGE RATING: N/A	TOLERANCES UNLESS OTHERWISE SPECIFIED:		APVD JL MECKLEY 1/19/94	NAME TERMINAL, RING TONGUE, SOLISTRAND AND STRATO-THERM HR, WIRE SIZE: 2/0 AWG
CIRCULAR MIL AREA: 60.6-76.3mm² [119,500-150,500] SOLID OR STRANDED	0 PLC ± - 1 PLC ± - 2 PLC ± - 3 PLC ± 0.127[.005] 4 PLC ± - ANGLES ± - FINISH		PRODUCT SPEC	
	MATERIAL		APPLICATION SPEC	SIZE CAGE CODE DRAWING NO
			WEIGHT	A2 00779 C-321870
			CUSTOMER DRAWING	RESTRICTED TO
			SCALE 2:1	SHEET 1 OF 1 REV H1