

THIS DRAWING IS UNPUBLISHED.

RELEASED FOR PUBLICATION

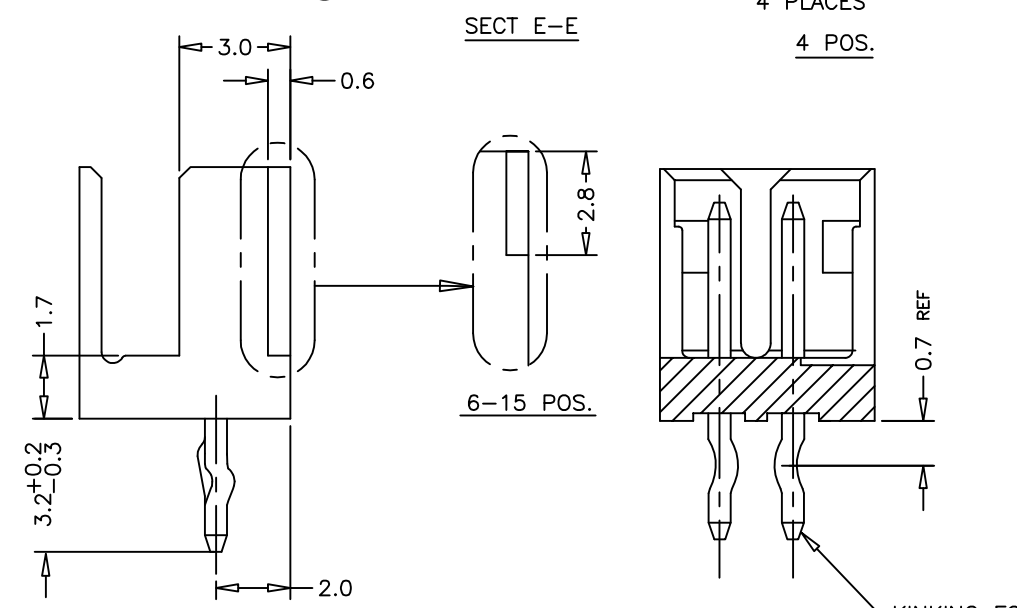
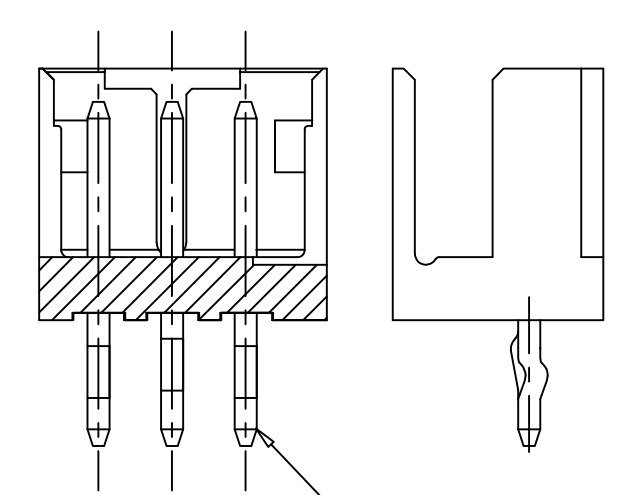
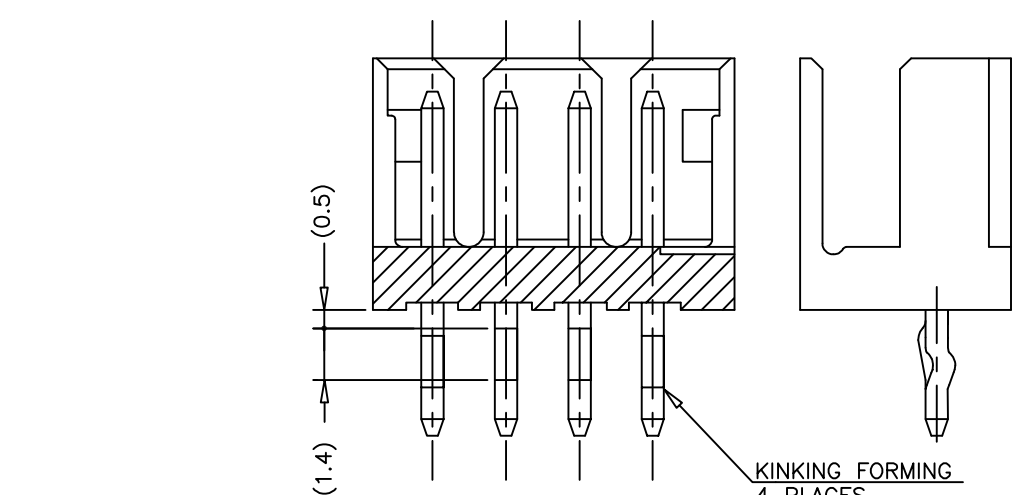
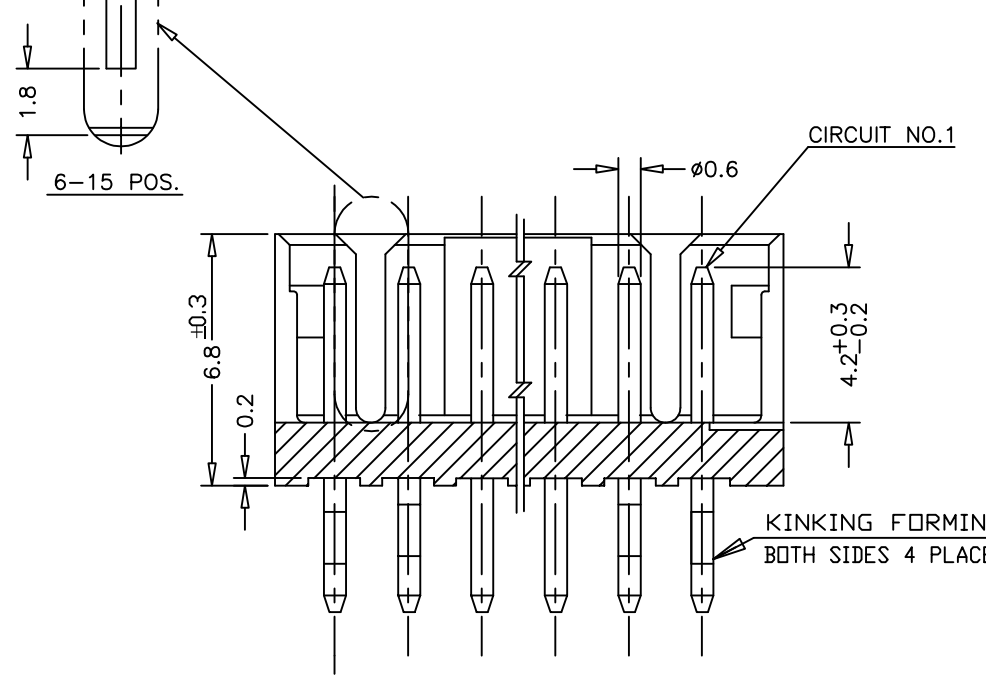
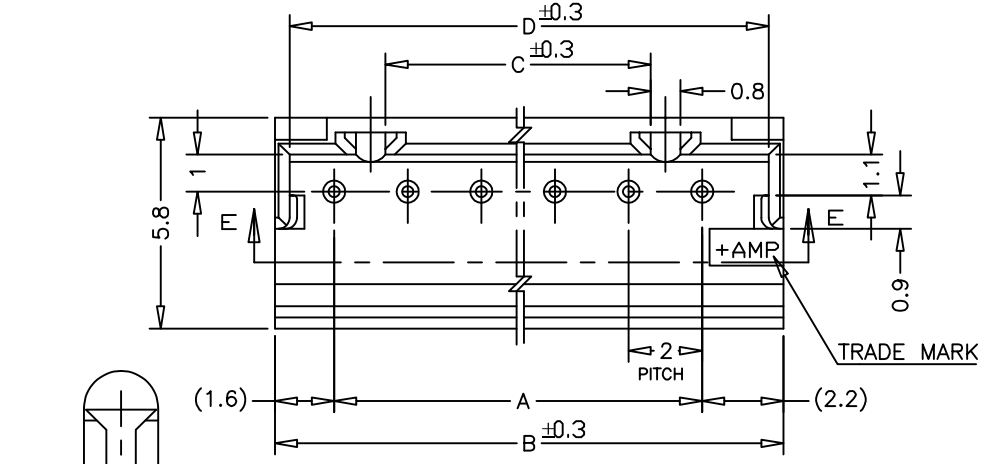
© COPYRIGHT - By -

ALL RIGHTS RESERVED.

LOC FB DIST 00

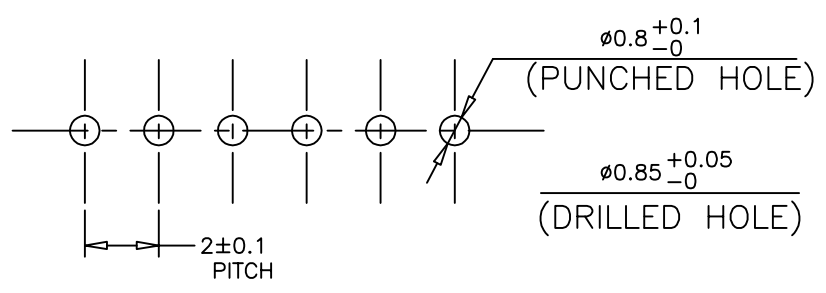
REVISIONS

P	LTR	DESCRIPTION	DATE	DWN	APVD
P1	REVISED	ECR-14-006619	13MAY14	T.Q	W.H



NOTES:
 1 MATERIAL : HOUSING-66 NYLON (UL94V-0)
 POST -GOLD-PLT BRASS
 2 APPLICABLE RECEPTACLE : P/N 176392

	1-292134-5	15	28	31.8	25.2	31.0
NATURAL (WHITE)	1-	-2	12	22	25.8	19.2
	1-	-0	10	18	21.8	15.2
		-9	9	16	19.8	13.2
		-6	6	10	13.8	7.2
		-5	5	8	11.8	5.2
		-4	4	6	9.8	3.2
		-3	3	4	7.8	—
		-2	2	2	5.8	—
	292134-2	2	2	2	5.8	—
COLOR	P/N	POS.	A	B	C	D



NOT ACCUMULATED TOLERANCE

RECOMMENDABLE P.C. BOARD LAYOUT (PCB THK : 0.8-1.6)

THIS DRAWING IS A CONTROLLED DOCUMENT.

DWN S.XU	31JAN03	 TE Connectivity	NAME POST HEADER ASS'Y (BOX-V) GOLD PLT TYPE (AMP CT CONNECTOR 2mm PITCH)
CHK S.YAO	31JAN03		
APVD T.SASAKI	31JAN03		
PRODUCT SPEC	108-60016		
MATERIAL	SEE NOTE	APPLICATION SPEC	RESTRICTED TO
FINISH	SEE NOTE	WEIGHT	—
		CUSTOMER DRAWING	SCALE 5:1 SHEET 1 of 1 REV P1