

## SPECIFICATIONS SHEET

**PRODUCT TYPE : PIEZO BUZZER**

**PRODUCT SERIES : BRP4549S-110-CP**

**DESCRIPTION : PZ BUZZER N. PULSE 110VAC PLT ABS RoHS SP**

**1) 11mm PL 2) NUT FULL THREAD 3) SCREWS M3.4**

**4) LABEL MARKING " INTERVOX BRP4549S-110-CP & Date Code "**

**5) 0.8 ~ 1.2 PULSE / SECOND 6) ADD " RoHS conform " LABEL**

**7) ADD " + " SILVER LABEL ON TOP**

**COLOR : BLACK**

### ELECTRICAL SPECIFICATIONS

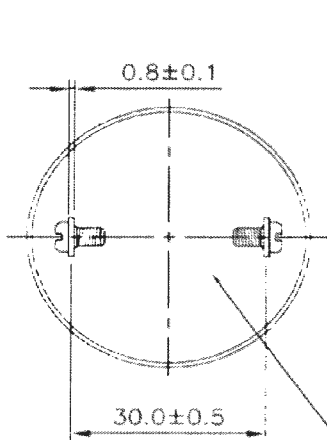
<u>MODEL NO.</u>		<u>BRP4549S-110-CP</u>
<u>OPERATING VOLTAGE RANGE</u>	( VAC )	30.0 ~ 120.0
<u>RATED VOLTAGE</u>	( VAC )	110.0
* <u>MAX. RATED CURRENT</u>	( mA )	30.0
* <u>MIN. SOUND OUTPUT</u>	( dBA/ 30 cm )	80.0
* <u>FREQUENCY</u>	( Hz )	2900 ± 500
<u>TONE NATURE</u>		NORMAL PULSE ( 0.8 ~ 1.2 PULSE / SECOND )
<u>OPERATING TEMPERATURE</u>	( °C )	- 20.0 ~ + 60.0
<u>STORAGE TEMPERATURE</u>	( °C )	- 30.0 ~ + 70.0
<u>TERMINAL</u>		PLATE
<u>HOUSING MATERIAL</u>		ABS
<u>WEIGHT</u>	( g )	35.0

\* Value applying at rated voltage

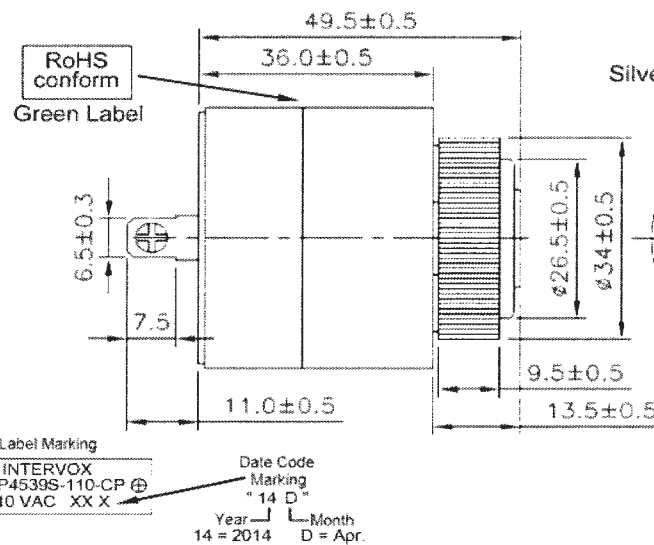
### DIMENSIONS

UNIT : mm Tolerance : ± 0.5 mm

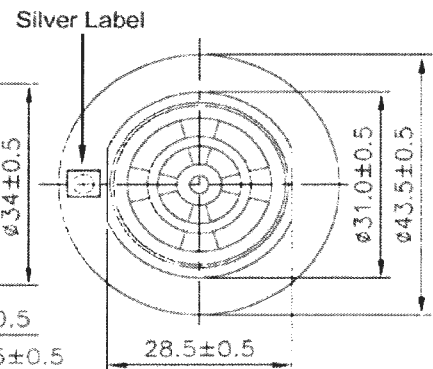
### BOTTOM VIEW



### SIDE VIEW



### TOP VIEW



Label Marking  
 INTERVOX  
 BRP4539S-110-CP  
 110 VAC XX X

Date Code Marking  
 " 14 D "  
 Year 14 = 2014 Month D = Apr.

Modify :	Date :	By :

Approved By : FG  
 Date : 14-Apr.-2014

Prepared By : G16  
 Date : 14-Apr.-2014