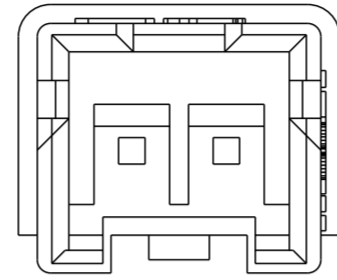
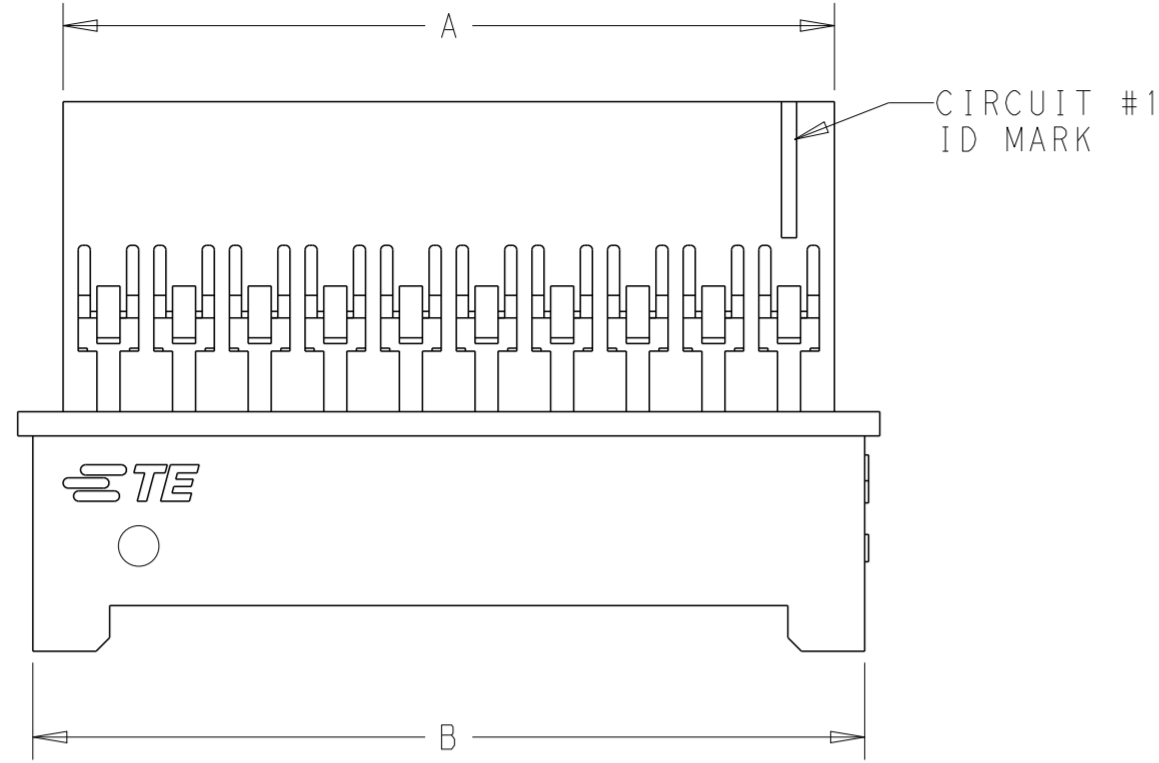
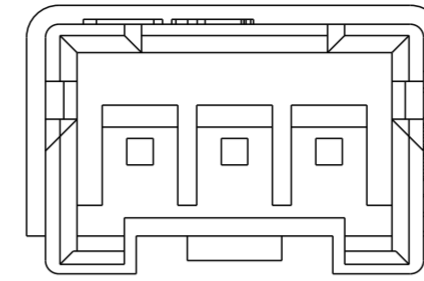


THIS DRAWING IS UNPUBLISHED. RELEASED FOR PUBLICATION  
 © COPYRIGHT 20 BY - ALL RIGHTS RESERVED.

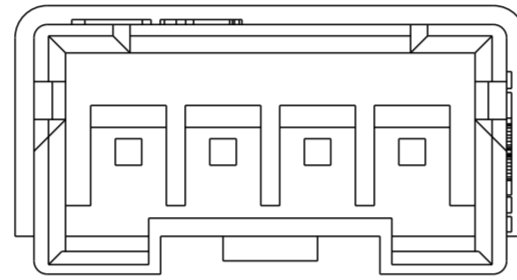
LOC		DIST		REVISIONS			
P	LTR	DESCRIPTION	DATE	DWN	APVD		
B1		RELEASED PER ECR-15-008087	29MAY2015	NK	JR		



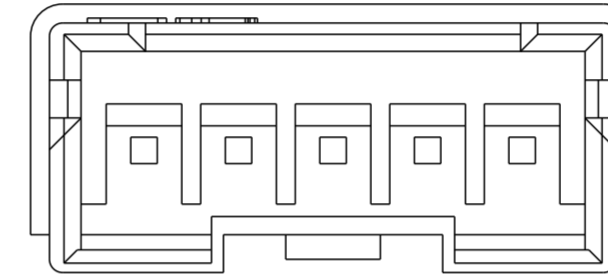
2 POSITION  
1969589-2



3 POSITION  
1969589-3

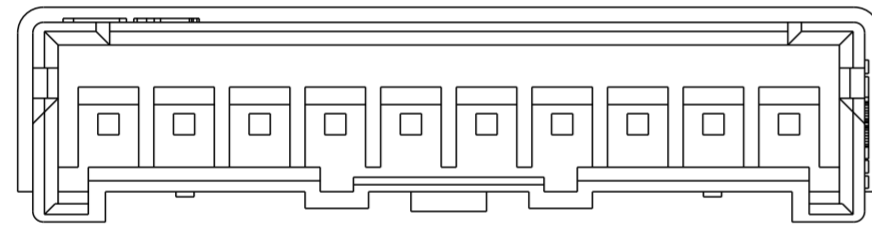


4 POSITION  
1969589-4

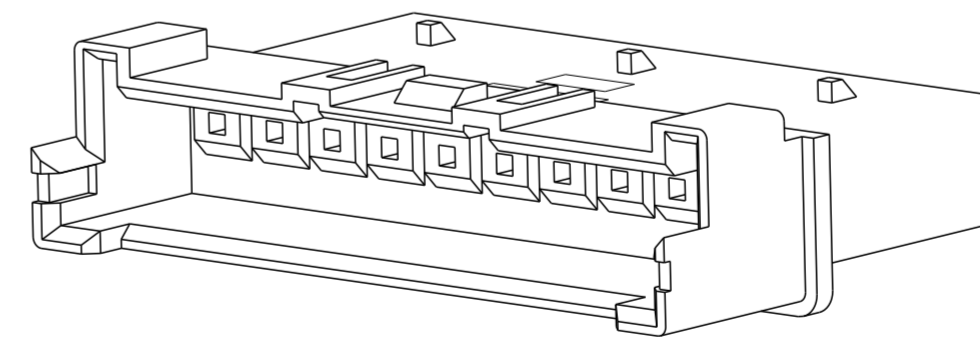
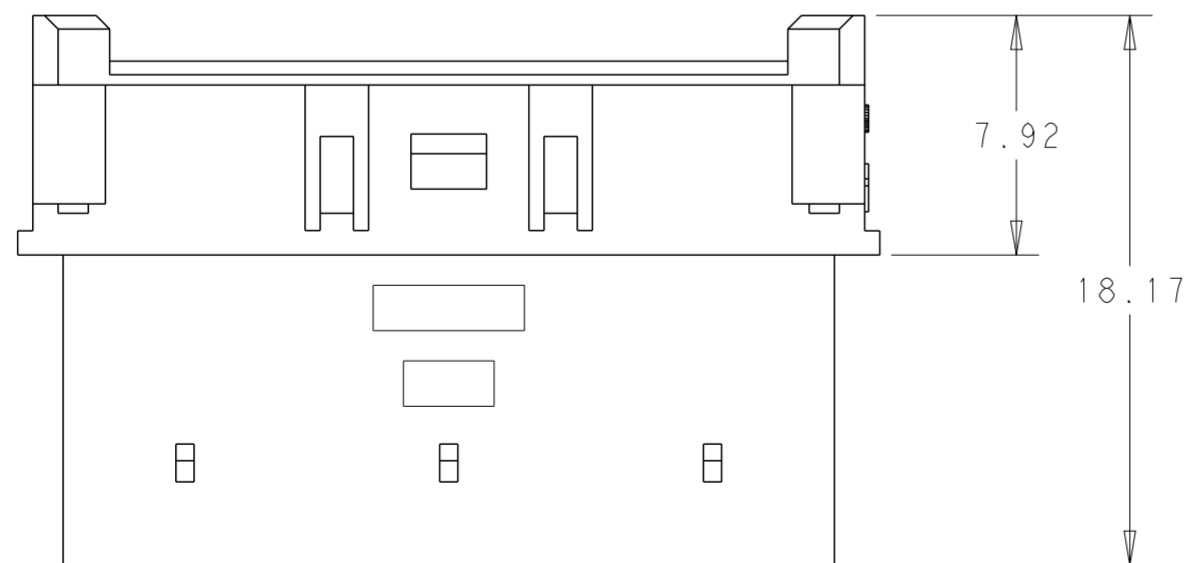
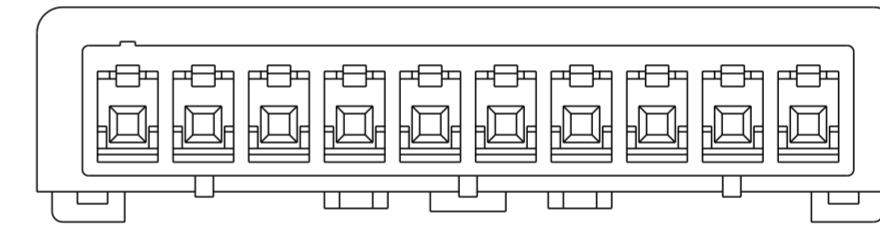
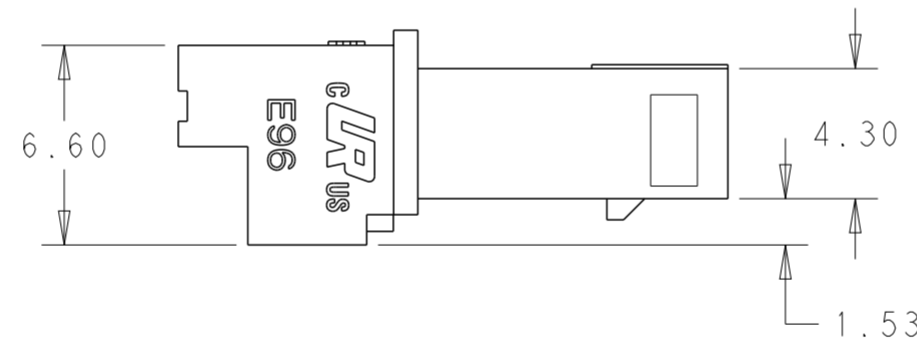


5 POSITION  
1969589-5

1. MATERIAL: NYLON UL94V-0, FLAME RETARDANT, COLOR: NATURAL
2. PARTS TESTED TO IEC 60695-2-11 AND IS COMPLIANT TO IEC 60335-1.
3. HOUSING, MATERIAL MEETS MINIMUM GLOW WIRE FLAMMIBILITY INDEX OF 850°C PER IEC 60695-2-12 AND MINIMUM GLOW WIRE IGNITION TEMP OF 775°C PER IEC 60695-2-13.
4. ACCEPTS TE PIN CONTACTS P/N'S 2238007-( )
5. HOUSING ACCEPTS OPTIONAL TPA P/N'S 1969443-( )
6. MATES WITH TE PLUG HOUSINGS P/N'S 1744417-( )



6 - 15 POSITION  
1969589-6 TO 1-1969589-5



15	40.00	38.00	1-1969589-5
14	37.50	35.50	1-1969589-4
13	35.00	33.00	1-1969589-3
12	32.50	30.50	1-1969589-2
11	30.00	28.00	1-1969589-1
10	27.50	25.50	1-1969589-0
9	25.00	23.00	1969589-9
8	22.50	20.50	1969589-8
7	20.00	18.00	1969589-7
6	17.50	15.50	1969589-6
5	15.00	13.00	1969589-5
4	12.50	10.50	1969589-4
3	10.00	8.00	1969589-3
2	7.50	5.50	1969589-2
POS.	DIM.B	DIM.A	PART NO.

THIS DRAWING IS A CONTROLLED DOCUMENT.		DWN	A NOEL 030C2012	
DIMENSIONS: mm		CHK	-	
TOLERANCES UNLESS OTHERWISE SPECIFIED:		APVD	-	
0 PLC	±	PRODUCT SPEC	-	
1 PLC	±	APPLICATION SPEC	108-2418	
2 PLC	±0.20	WEIGHT	-	
3 PLC	±	CUSTOMER DRAWING	-	
4 PLC	±	SCALE	4:1	
ANGLES	±	SHEET	1 OF 1	
FINISH	±	REV	B1	
SEE NOTES	SEE NOTES	TE Connectivity NAME: ECONOMY POWER 2.5, HOUSING WIRE TO WIRE, GLOW WIRE SIZE: A2 CAGE CODE: 00779 DRAWING NO: C-1969589 RESTRICTED TO: -		