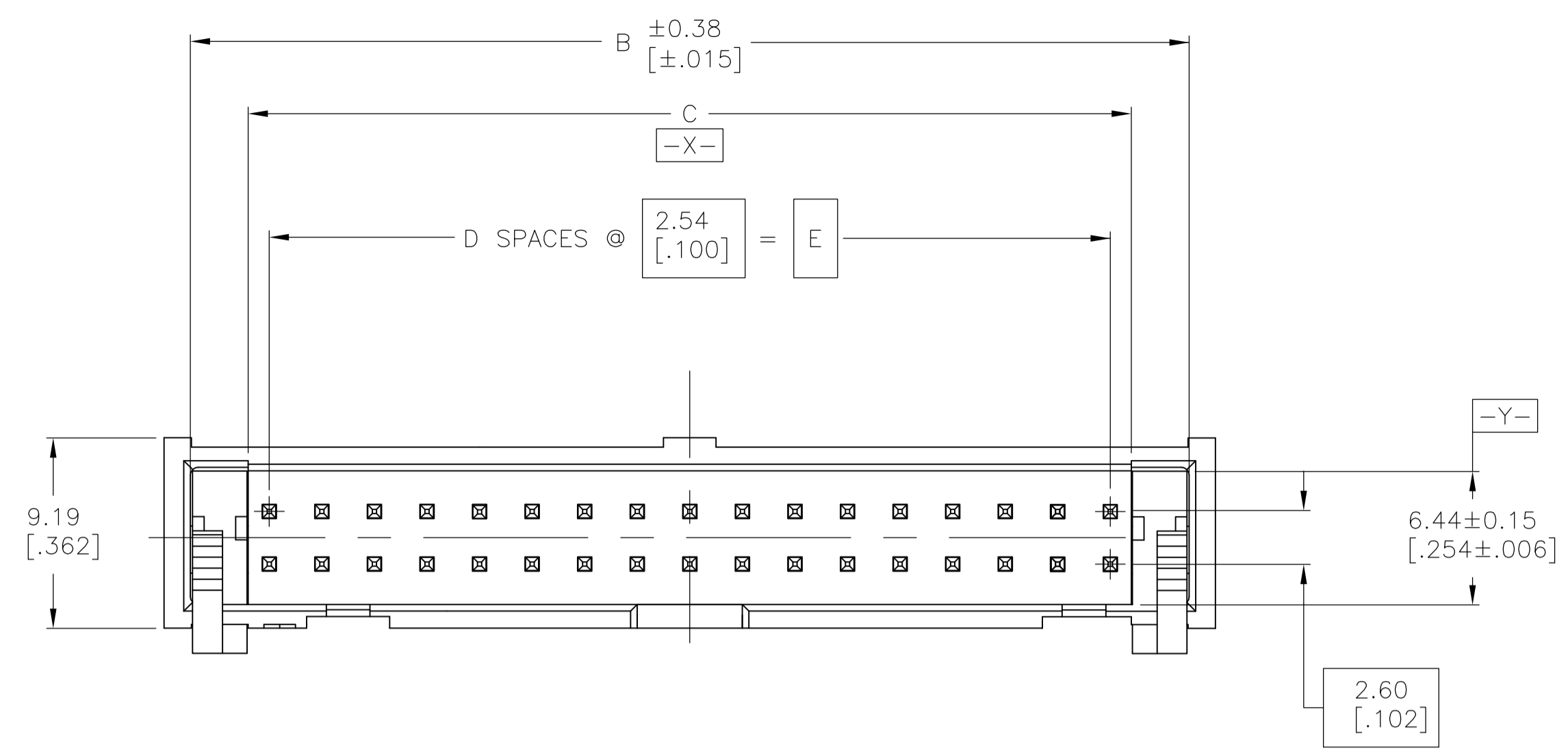
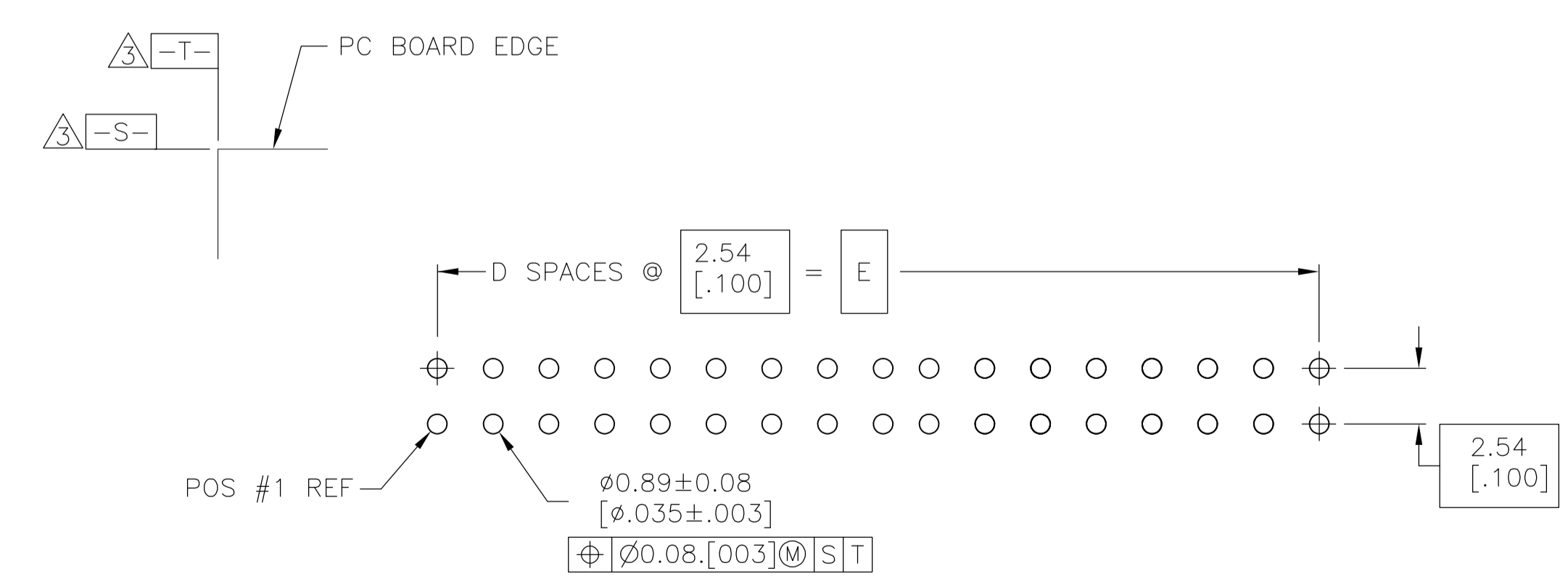
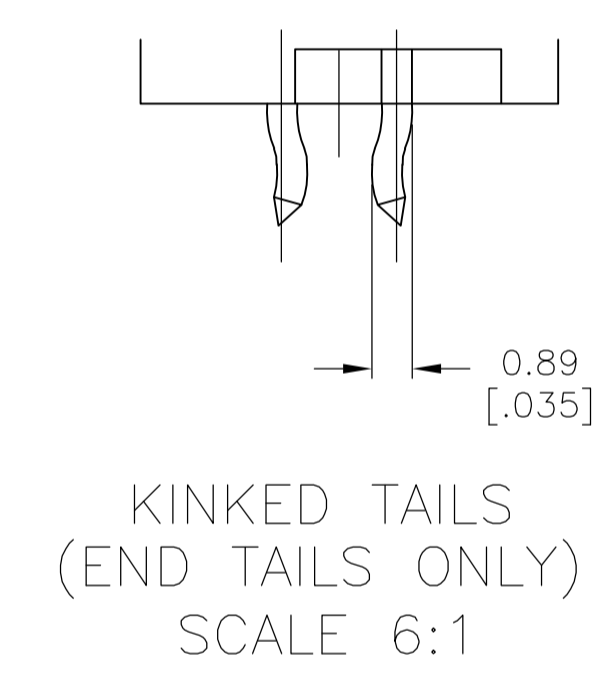
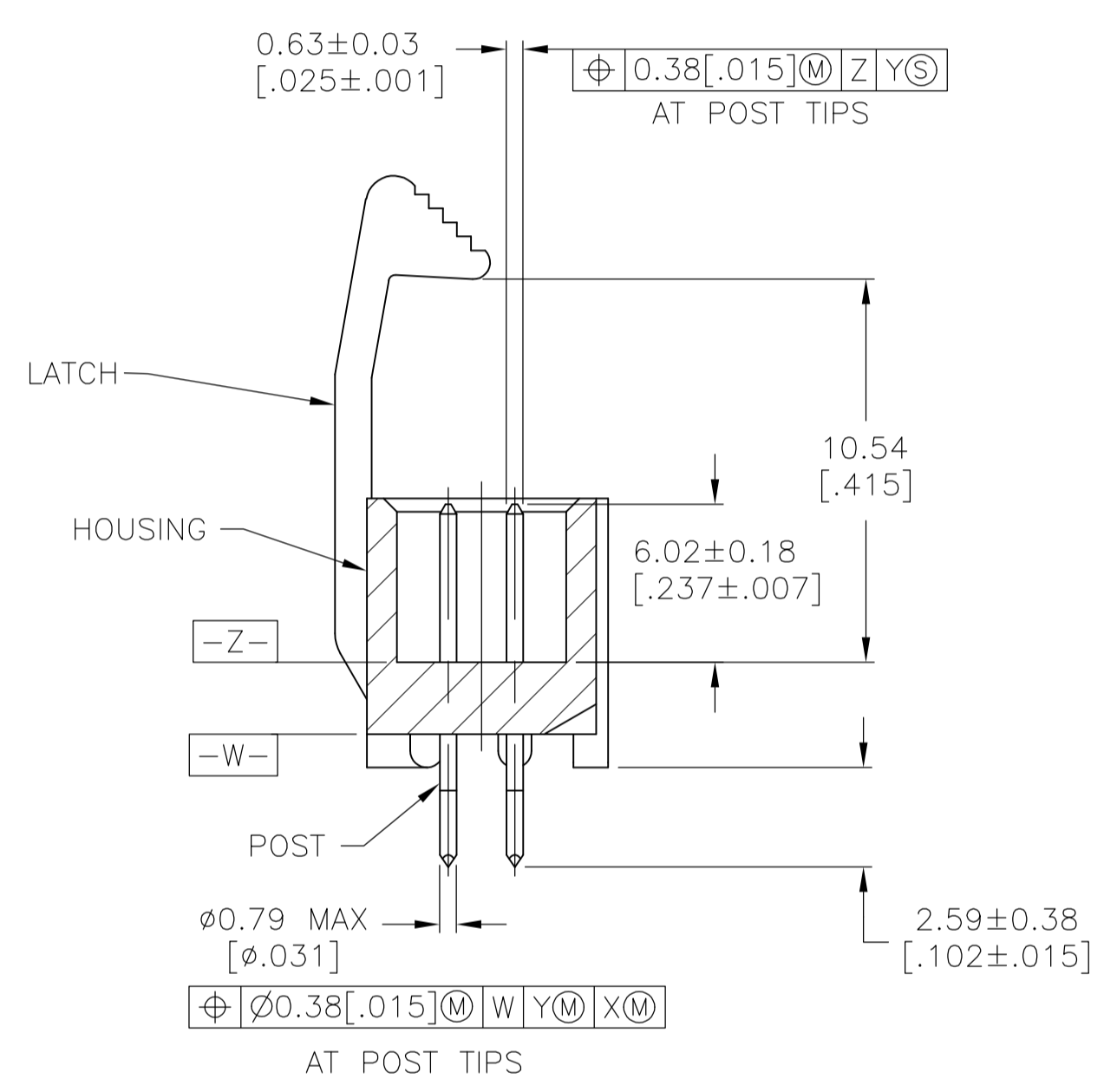
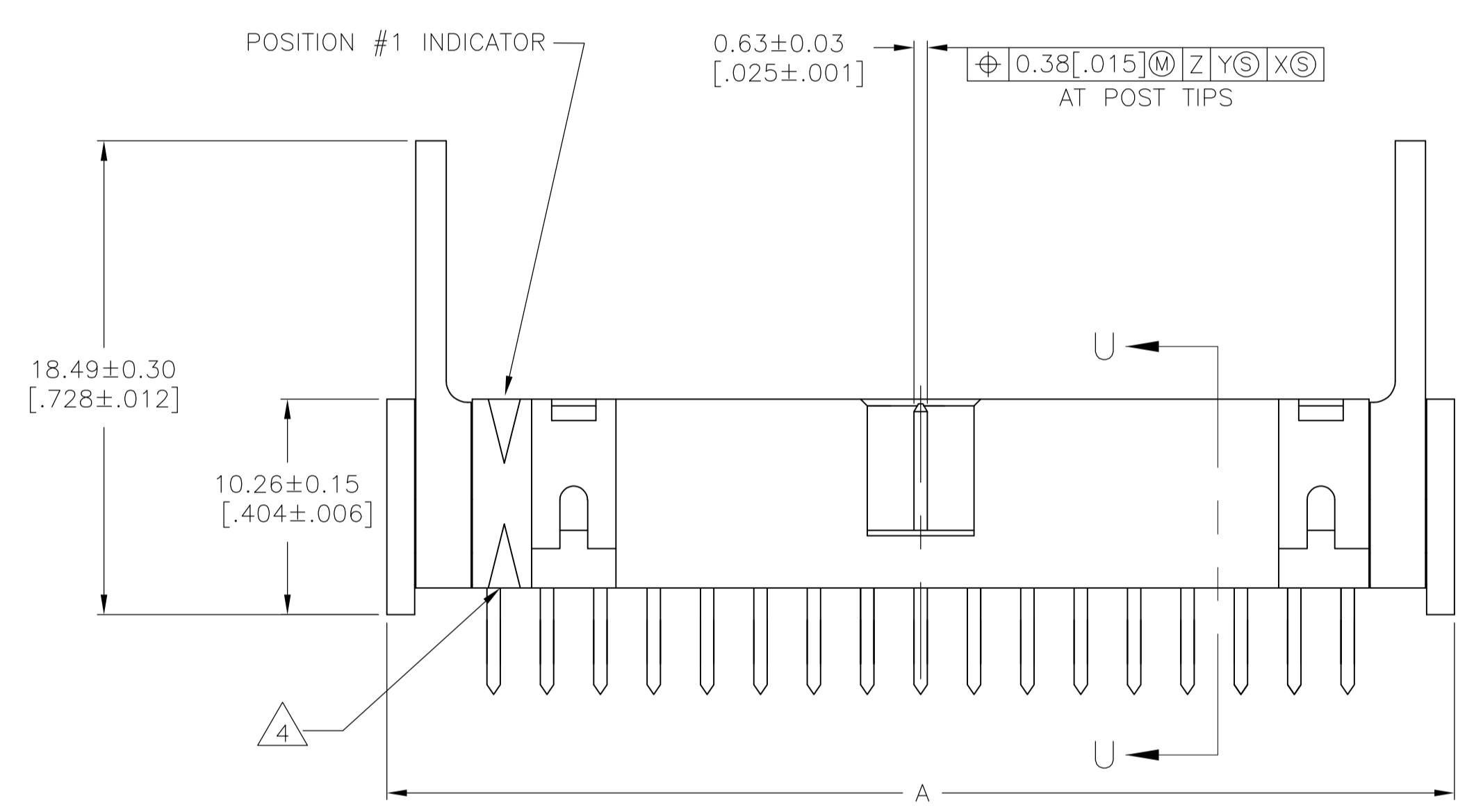


LOC		DIST		REVISIONS			
P	LTR	DESCRIPTION	DATE	DN	APVD		
D		REVISED PER ECO-09-002944	20MAR2009	CR	SB		



- 1 HOUSING: PBT, UL94V-0, COLOR: BLUE.
POSTS: PHOSPHOR BRONZE.
LATCHES: ZINC ALLOY.
- 2 POSTS: GOLD FLASH OVER
PALLADIUM-NICKEL PLATE, 0.76µm[.000030] MIN TOTAL ON MATING AREA,
2.54µm[.000100] MIN TIN PLATE ON THE SOLDER-TAIL, ALL OVER
1.27µm[.000050] MIN NICKEL UNDERPLATE ON ENTIRE POST.
OR
0.76µm[.000030] MIN GOLD PLATE ON MATING AREA,
2.54µm[.000100] MIN TIN PLATE ON THE SOLDER-TAIL, ALL OVER
1.27µm[.000050] MIN NICKEL UNDERPLATE ON THE ENTIRE POST.
LATCHES: BLACK NICKEL OVER COPPER.
- 3 DATUMS S & T TO BE ESTABLISHED BY CUSTOMER.
- 4 ALTERNATE LOCATION/ORIENTATION FOR POSITION #1 INDICATOR.



RECOMMENDED PC BOARD LAYOUT
(VIEWED FROM CONNECTOR SIDE)

THIS DRAWING IS A CONTROLLED DOCUMENT.		DIN 9137 MCMAS ^{TER} 07SEP05		Tyco Electronics Corporation	
DIMENSIONS: mm		TOLERANCES UNLESS OTHERWISE SPECIFIED:		Tyco Electronics Corporation Harrisburg, PA 17105-3608	
0 PLC ± -		1 PLC ± -		NAME: M. WALMSLEY	
1 PLC ± -		2 PLC ± -		PRODUCT SPEC: -	
2 PLC ± -		3 PLC ± 0.13(.005)		APPLICATION SPEC: -	
3 PLC ± -		4 PLC ± -		SIZE: A1	
4 PLC ± -		ANGLES: ± -		CAGE CODE: 1761721	
MATERIAL: 1		FINISH: 2		DRAWING NO: 1761721	
CUSTOMER DRAWING		SCALE: 4:1		SHEET 1 OF 1	