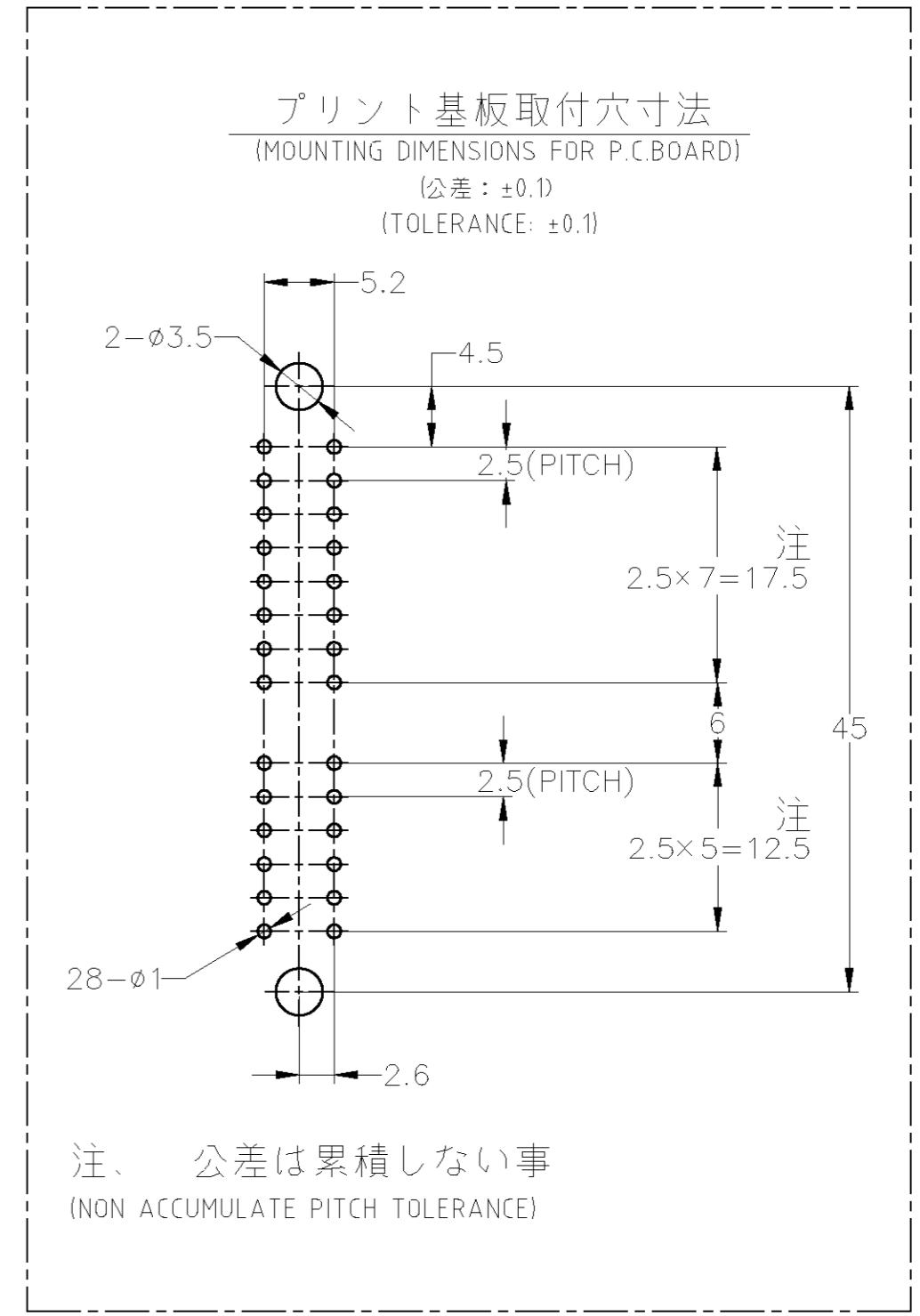
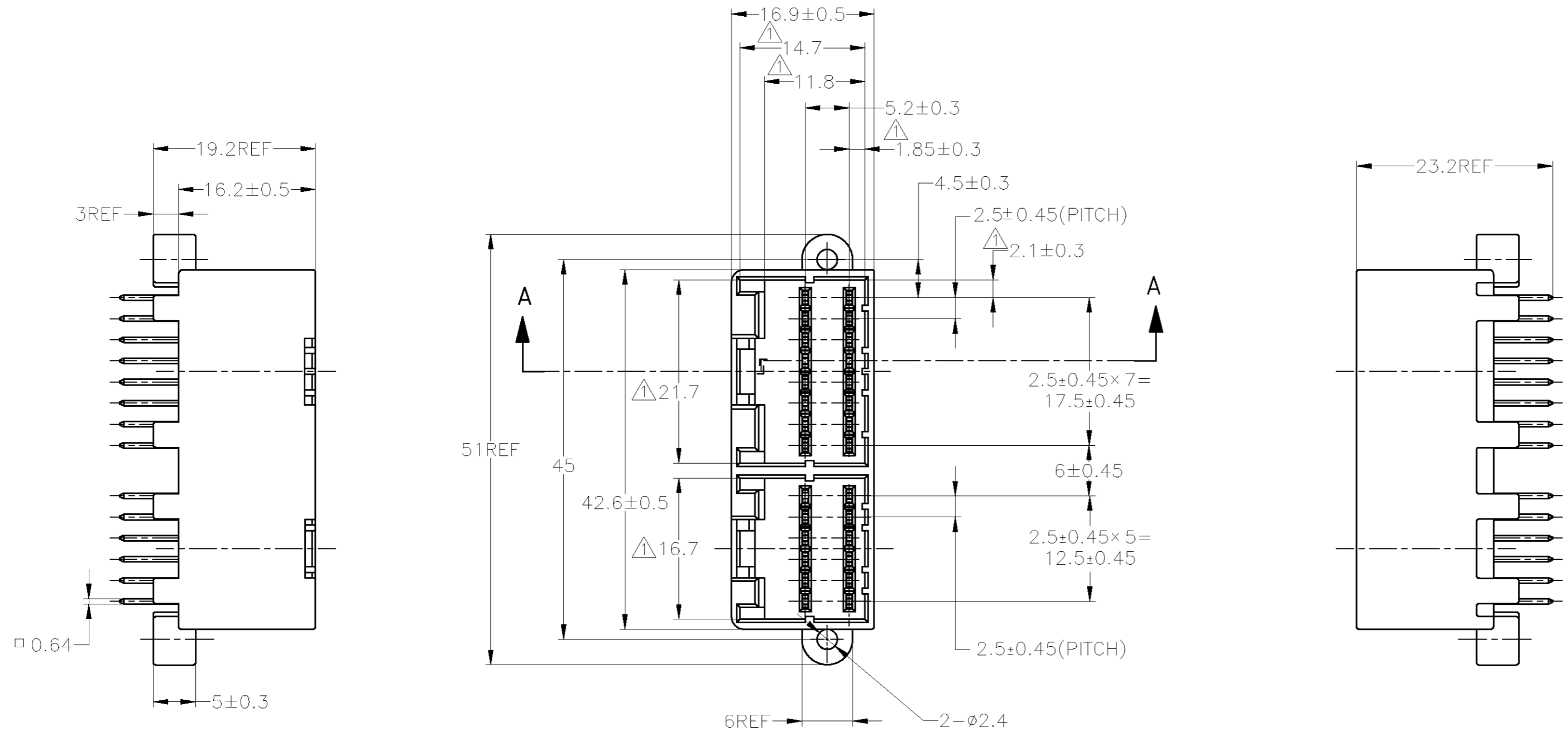


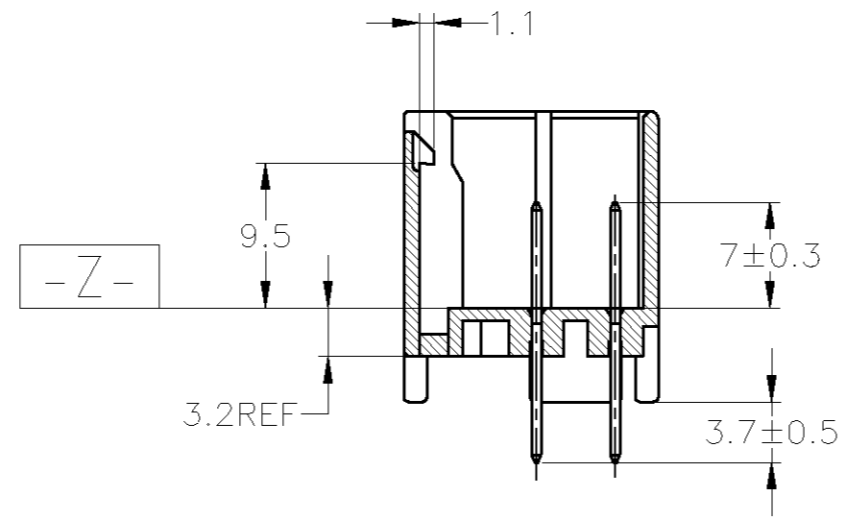
THIS DRAWING IS UNPUBLISHED. RELEASED FOR PUBLICATION
 © COPYRIGHT - By - ALL RIGHTS RESERVED.

| LOC | | DIST | | REVISIONS | | | |
|-----|-----|-------------|-------------|---------------|---------|------|----|
| P | LTR | DESCRIPTION | | DATE | DWN | APVD | |
| J | - | D4 | OBSOLETE -5 | ECR-11-013812 | 08JUL11 | TS | KB |



- △ TO BE MEASURED WITHIN 2mm FROM [-Z-]
- 2. APPLICABLE P.C.BOARD THICKNESS; 1.6mm
- 3. THE MATING COUNTERPART PART NUMBER; 174045,174046
- 4. RECOMMENDED MOUNTING SCREW; 3mm DIA, 6mm LENGTH TAPPING SCREW SPECIFIED IN JIS B1115,B1122. (TIGHTENING TORQUE;0.8N-M MAX.)

- △ [-Z-]面より2mmの範囲で測定
- 2. 適用プリント基板厚; 1.6mm
- 3. 嵌合相手ハウジング型番; 174045,174046
- 4. 推奨取付ネジ; JIS B1115,B1122 タッピンネジ、ナベ2種 呼び径3、長さ6mm (締付けトルク0.8N-M以下)



| | | | | |
|----------|---------------------------|------------------------|------------|---------------------|
| OBSOLETE | SELECTIVE-TIN | PRE-TIN | BLACK | 2-174979-2 |
| OBSOLETE | | PRE-TIN | BLUE | 174979-5 |
| | | PRE-TIN | GREEN | 174979-4 |
| | | PRE-TIN | BLACK | 174979-2 |
| | SELECTIVE-TIN (MATTE) | SELECTIVE-TIN (BRIGHT) | BLACK | 174979-1 |
| | SOLDERING SIDE 半田付け部 | CONTACT SIDE 接触部側 | COLOR 色 | PART NUMBER 製品型番 |
| | CONTACT FINISH コンタクト仕上 | | | |

TOLERANCES UNLESS OTHERWISE SPECIFIED:
 一般公差

| | |
|-------|-------------|
| 10μ | ±0.2 |
| 30μ | >10 : ±0.25 |
| 100μ | >30 : ±0.3 |
| ANGLE | ±3° |

THIS DRAWING IS A CONTROLLED DOCUMENT.

DIMENSIONS: 単位: 純 mm

TOLERANCES UNLESS OTHERWISE SPECIFIED: 一般公差

MATERIAL 材料: HOUSING: PBT CONTACT: BRASS

FINISH 仕上: -

WEIGHT: 9g

CUSTOMER DRAWING

DWN: M.SUGAWARA 05JUL2006
 CHK: T.SHINOHARA 05JUL2006
 APVD: K.BETSUI 05JUL2006

NAME 名称: 28POSITION CAP HOUSING ASSEMBLY 040 SERIES MULTI-LOCK I/O CONNECTOR VERTICAL TYPE

SIZE: A2 CAGE CODE: 00779 DRAWING NO: 174979

RESTRICTED TO: -

SCALE: 2:1 SHEET: 1 of 1 REV: D4

TE Connectivity