

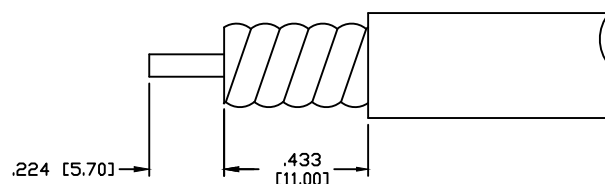
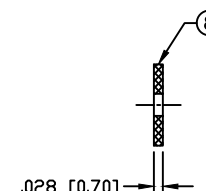
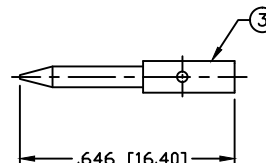
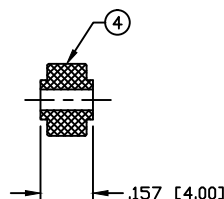
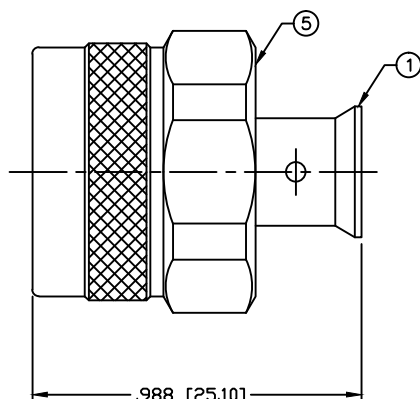
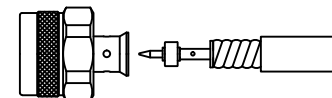
PART NO.

RFN-1002-HPL

REV	DESCRIPTION	DWN	DATE	APPROVED
-	ENGINEERING RELEASE	CZS	08/18/14	JDMc

ASSEMBLY INSTRUCTIONS:

- Step 1: Cut end of cable evenly. Strip cable to dimensions as shown. All cuts are to be clean and square. Do not nick center conductor when cutting. If using heat shrink tubing slide onto cable first.
- Step 2: Slide spacer and pin onto cable center conductor until it yields against the cable dielectric. Solder pin in place.
- Step 3: Slide insert onto pin.
- Step 4: Insert the pin into the body until it yields against the back of the connector. Solder connector and cable outer conductor in place.



SPECIFICATIONS:

IMPEDANCE: 50 Ohms
 FREQUENCY RANGE: 0–11 GHz
 VSWR: <1.3:1 @ 9 GHz
 INSERTION LOSS: -0.06dB @ $\sqrt{\text{GHz}}$
 TEMPERATURE RANGE: -55°C TO 150°C

#	DESCRIPTION	QTY	MATERIAL	FINISH
8	SPACER	1	PTFE	---
7	RETAINING RING	1	BeCu	WHITE BRONZE
6	GASKET	1	RUBBER	---
5	SHELL	1	BRASS	WHITE BRONZE
4	INSERT	1	PTFE	---
3	PIN	1	BRASS	SILVER
2	INSULATOR	1	PTFE	---
1	BODY	1	BRASS	WHITE BRONZE

CUSTOMER
OUTLINE DRAWINGALL DIMENSIONS
ARE REFERENCE ONLYUNLESS OTHERWISE SPECIFIED:
DIMENSIONS ARE IN INCHES
AND [MILLIMETERS]

DRAWN	C. ZUNIGA	08/18/14
CHECKED		
ORJ DRAWN	C. ZUNIGA	08/18/14

**RoHS
COMPLIANT**

PROPRIETARY AND CONFIDENTIAL
 THIS DRAWING CONTAINS
 INFORMATION PROPRIETARY TO
 RF INDUSTRIES. ANY
 UNAUTHORIZED USE OF THIS
 DRAWING IS EXPRESSLY
 PROHIBITED WITHOUT WRITTEN
 PERMISSION FROM RF
 INDUSTRIES. ANY VIOLATION IS
 PUNISHABLE UNDER U.S.
 COPYRIGHT LAWS.

RFconnectors

7610 MIRAMAR RD.
 SAN DIEGO, CA 92126
 (858) 549-6340
 (858) 549-6345 FAX

**N PLUG, SOLDER
FOR SPP-250**

SIZE	CABLE GROUP	DWG NO.	REV
A	N/A	RFN-1002-HPL	---
SCALE:	ENGINEERING ID:	001787	SHEET 1 OF 1
NTS			