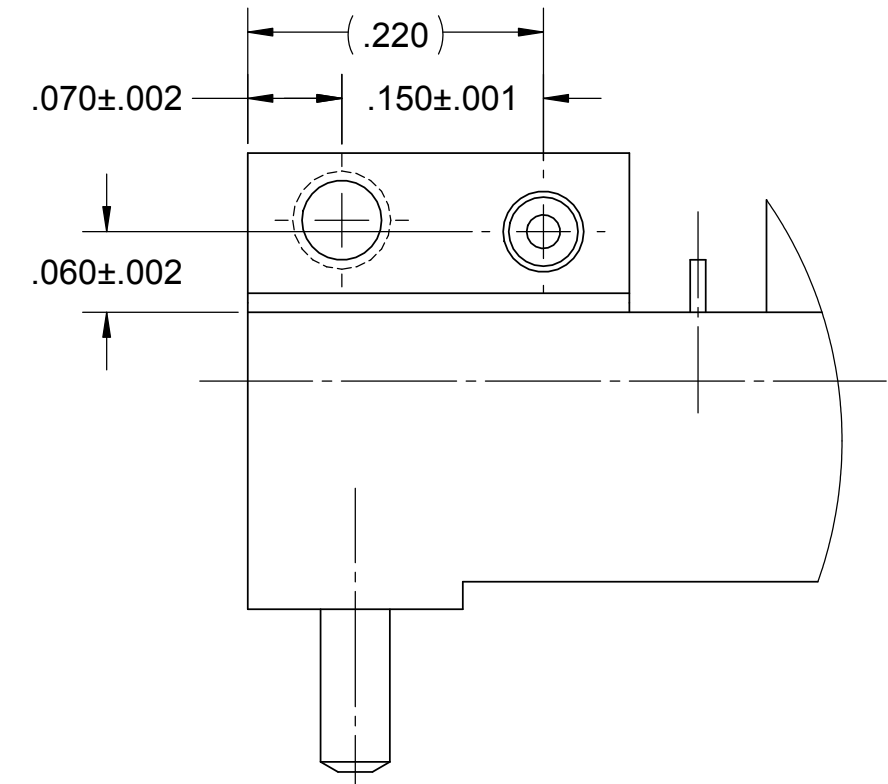
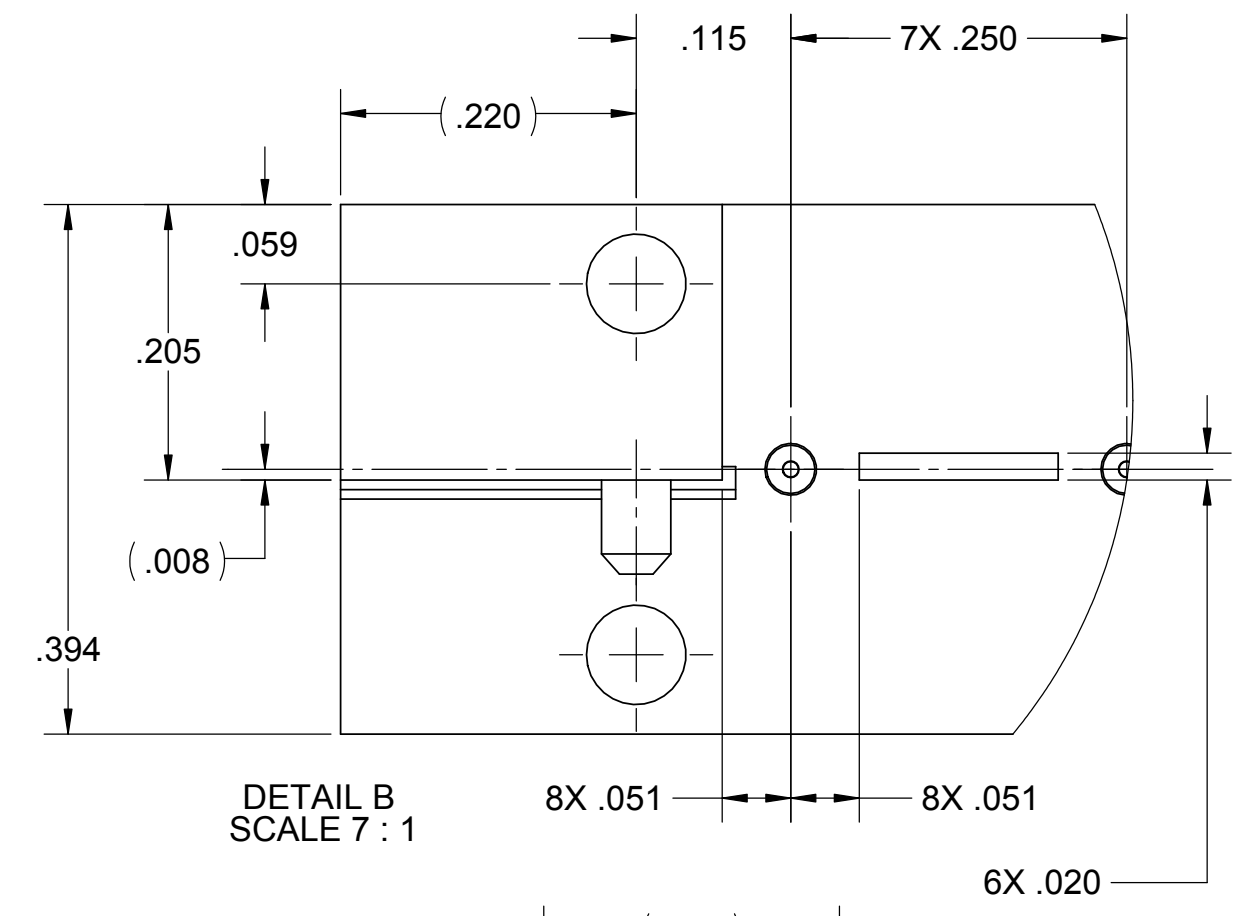
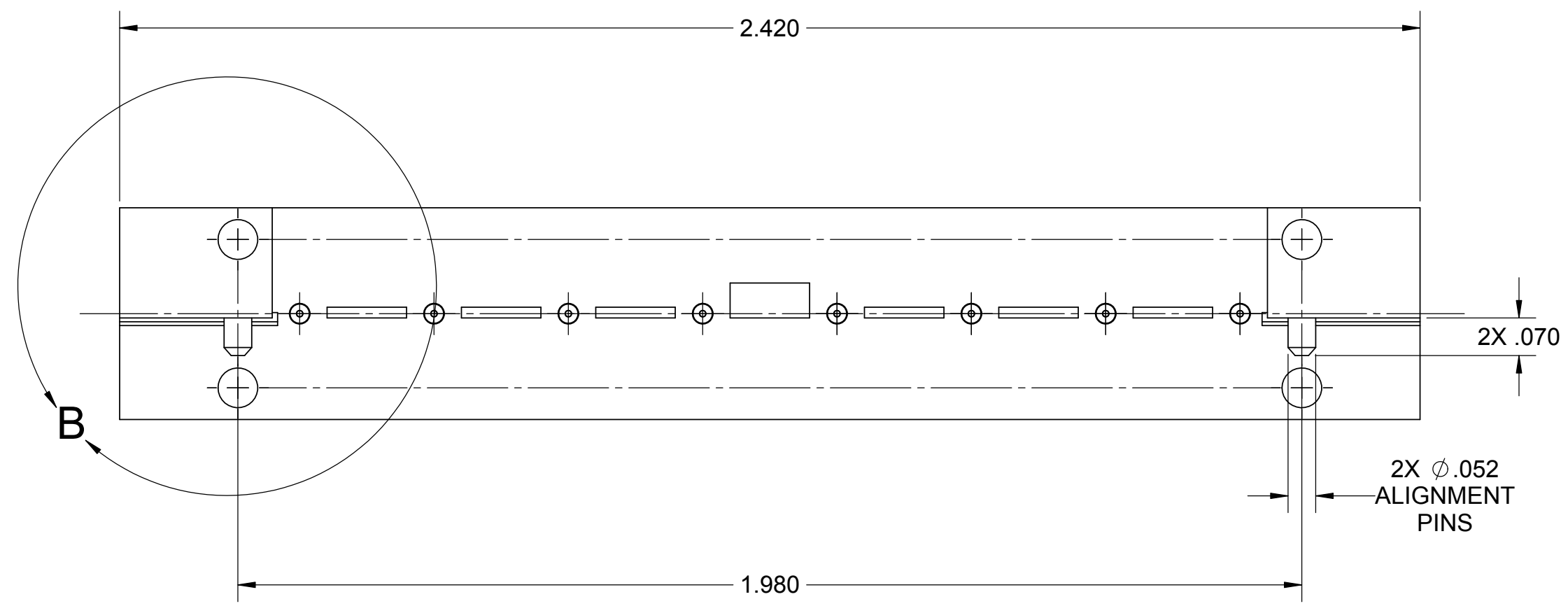
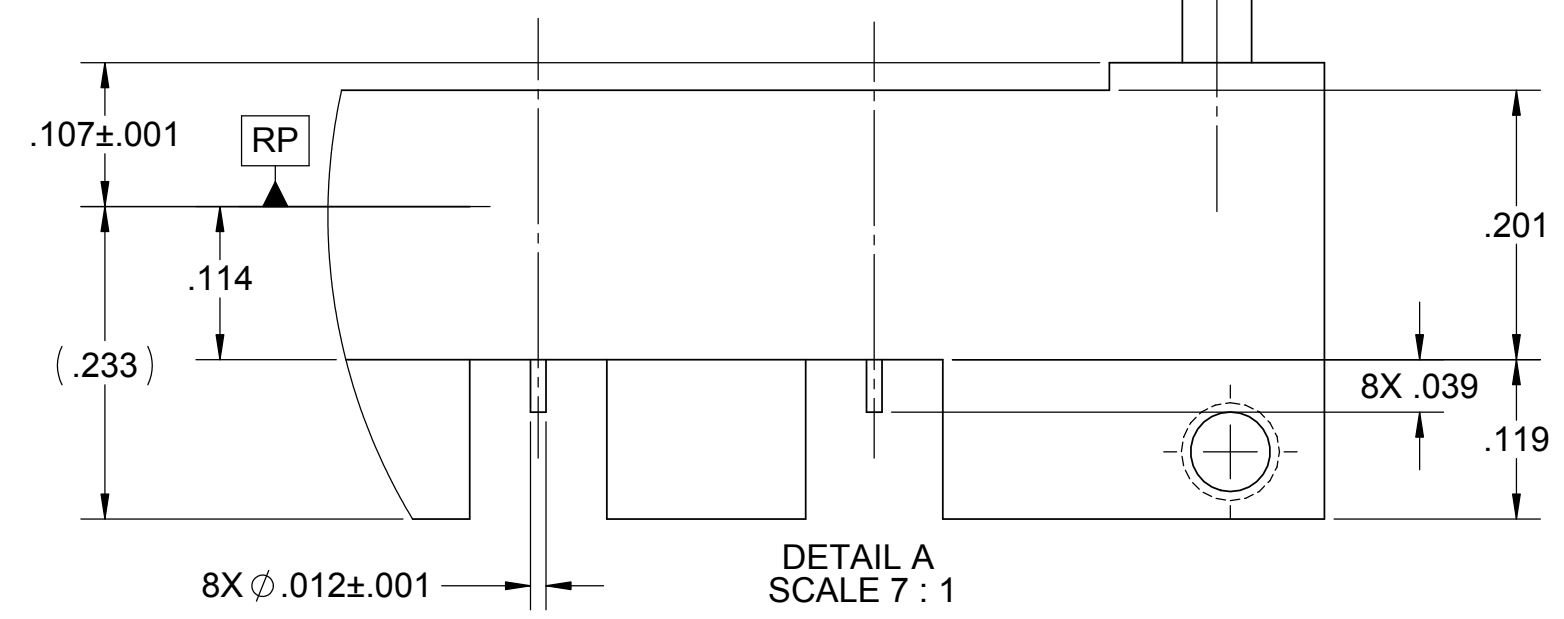
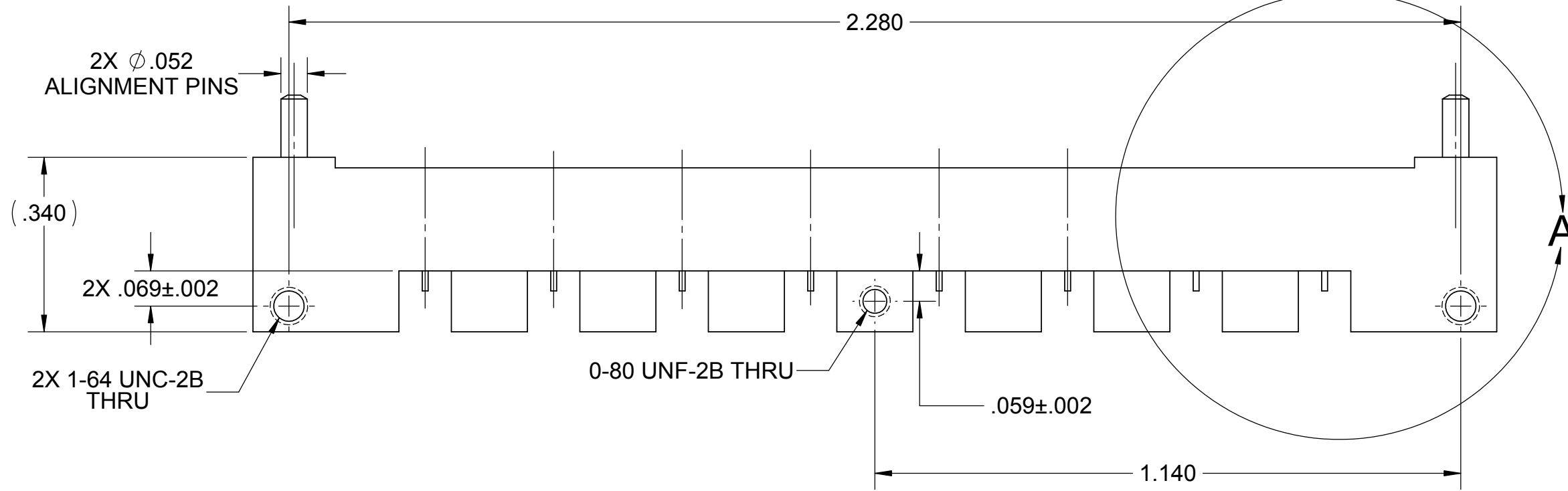


PRODUCT DATA DRAWING

| REVISION HISTORY | | | |
|------------------|-------------|-------|----------|
| REV. | DESCRIPTION | DATE | APPROVED |
| - | NRN 40631 | 05/16 | STW |



MATERIAL:

BODY & SHROUDS: STAINLESS STEEL PER AMS-5640, ALLOY UNS S30300, TYPE 1; OR ASTM A582 TYPE 303, COND. A

CONTACTS: BERYLLIUM COPPER PER ASTM B196, ALLOY No. UNS C17300, TD04

INSULATORS: PTFE PER ASTM D1710, TYPE I, GRADE 1, CLASS B

FINISH:

BODY, SHROUDS, & CONTACTS: GOLD PER ASTM B488, TYPE II, CODE C, CLASS 0.76, OVER NICKEL PER AMS-QQ-N-290, CLASS 1, .00010" MIN.

PERFORMANCE:

IMPEDANCE: 50 OHMS
FREQ. RANGE: DC TO 65 GHz.

NOTES:

- FOR A FOOTPRINT RECOMMENDATION SPECIFIC TO YOUR PCB, PLEASE CONTACT US AT applications@svmicro.com

| | |
|--|-----------|
| MATERIAL: | SEE NOTES |
| FINISH: | SEE NOTES |
| DO NOT SCALE DRAWING | |
| PROPRIETARY | |
| <small>THE INFORMATION CONTAINED IN THIS DRAWING IS THE SOLE PROPERTY OF SV MICROWAVE, INC. ANY REPRODUCTION IN PART OR AS A WHOLE WITHOUT THE WRITTEN PERMISSION OF SV MICROWAVE, INC. IS PROHIBITED.</small> | |

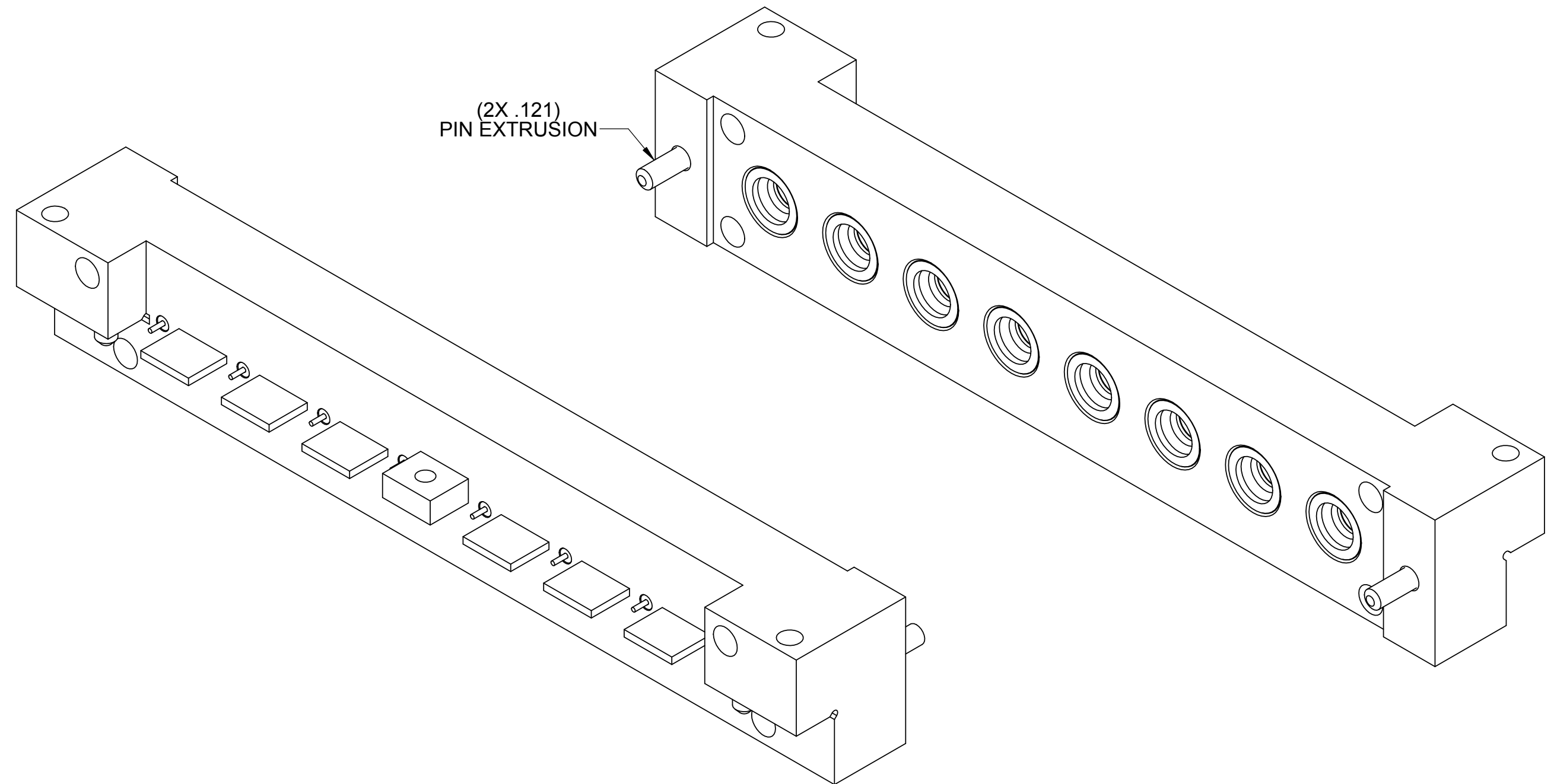
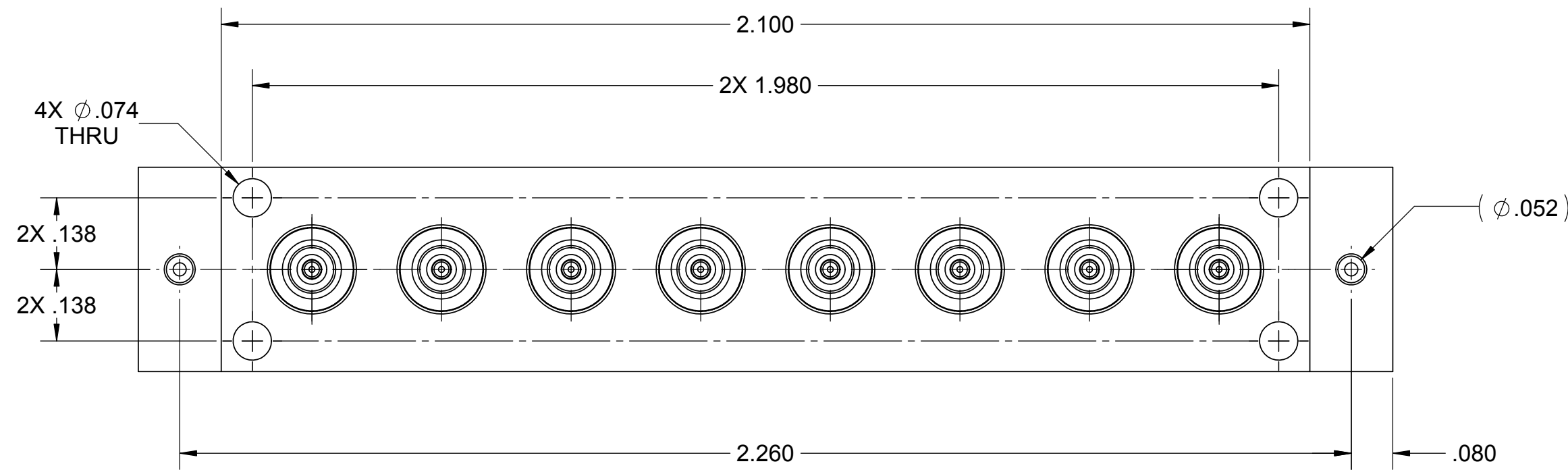
| | |
|--|-------|
| DIMENSIONS ARE IN INCHES | |
| TOLERANCES: | |
| ANGULAR: | ±1° |
| ONE PLACE DECIMAL: | ±.030 |
| TWO PLACE DECIMAL: | ±.010 |
| THREE PLACE DECIMAL: | ±.005 |
| INTERPRET DIMENSIONS AND TOLERANCES PER ASME Y14.5M - 1994 | |
| THIRD ANGLE PROJECTION | |
| | |

| | |
|---|--------------|
| UNLESS OTHERWISE SPECIFIED: | |
| <ol style="list-style-type: none"> ALL DIMENSIONS ARE AFTER PLATING. BREAK CORNERS & EDGES R.005 MAX. CHAMFER 1ST AND LAST THREAD. SURFACE ROUGHNESS 63 PER MIL-STD-10. DIA'S ON COMMON CENTERS TO BE CONCENTRIC WITHIN .005 T.I.R. REMOVE ALL BURRS. | |
| DRAWN: | FED 05/27/16 |
| CHECKED: | STW 05/27/16 |
| APPROVED: | STW 05/27/16 |
| E.M. SIMULATION: | |

| | | | |
|--|-----------|--------------|--|
| SV Microwave, Inc. [®] | | | |
| 2400 Centrepark West Drive, Suite 100 West Palm Beach, FL 33409 | | | |
| TITLE: SMPM FD MALE 8-PORT EDGE LAUNCH | | | |
| SIZE | CAGE CODE | DWG. NO. | |
| C | 95077 | 3211-60181 | |
| SCALE: 4:1 | | SHEET 1 OF 2 | |

PRODUCT DATA DRAWING

| REVISION HISTORY | | | |
|------------------|-------------|------|----------|
| REV. | DESCRIPTION | DATE | APPROVED |
| | SEE SHEET 1 | | |
| | | | |



| | |
|--|-----------|
| MATERIAL: | SEE NOTES |
| FINISH: | SEE NOTES |
| DO NOT SCALE DRAWING | |
| PROPRIETARY | |
| <small>THE INFORMATION CONTAINED IN THIS DRAWING IS THE SOLE PROPERTY OF SV MICROWAVE, INC. ANY REPRODUCTION IN PART OR AS A WHOLE WITHOUT THE WRITTEN PERMISSION OF SV MICROWAVE, INC. IS PROHIBITED.</small> | |

| | |
|--|--|
| <small>DIMENSIONS ARE IN INCHES TOLERANCES: ANGULAR: $\pm 1^\circ$ ONE PLACE DECIMAL ± 0.30 TWO PLACE DECIMAL ± 0.10 THREE PLACE DECIMAL ± 0.05 INTERPRET DIMENSIONS AND TOLERANCES PER ASME Y14.5M - 1994</small> | |
| THIRD ANGLE PROJECTION | |
| | |

| | |
|---|--------------|
| <small>UNLESS OTHERWISE SPECIFIED: 1. ALL DIMENSIONS ARE AFTER PLATING. 2. BREAK CORNERS & EDGES R.005 MAX. 3. CHAMFER 1ST AND LAST THREAD. 4. SURFACE ROUGHNESS 63 PER MIL-STD-10. 5. DIA'S ON COMMON CENTERS TO BE CONCENTRIC WITHIN .005 T.I.R. 6. REMOVE ALL BURRS.</small> | |
| DRAWN: | FED 05/27/16 |
| CHECKED: | STW 05/27/16 |
| APPROVED: | STW 05/27/16 |
| E.M. SIMULATION: | |

| | | | |
|---|-----------|--------------|--|
| SV Microwave, Inc.[®] <small>2400 Centrepark West Drive, Suite 100 West Palm Beach, FL 33409</small> | | | |
| TITLE: SMPM FD MALE 8-PORT EDGE LAUNCH | | | |
| SIZE | CAGE CODE | DWG. NO. | |
| C | 95077 | 3211-60181 | |
| SCALE: 4:1 | | SHEET 2 OF 2 | |